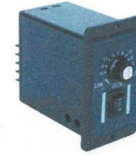


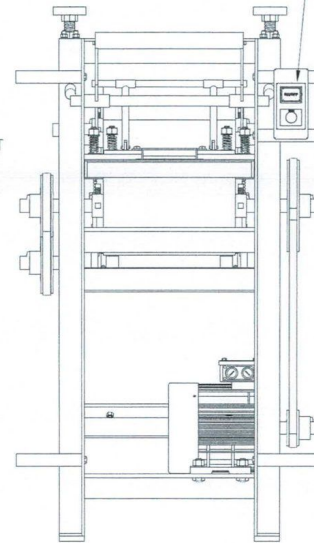
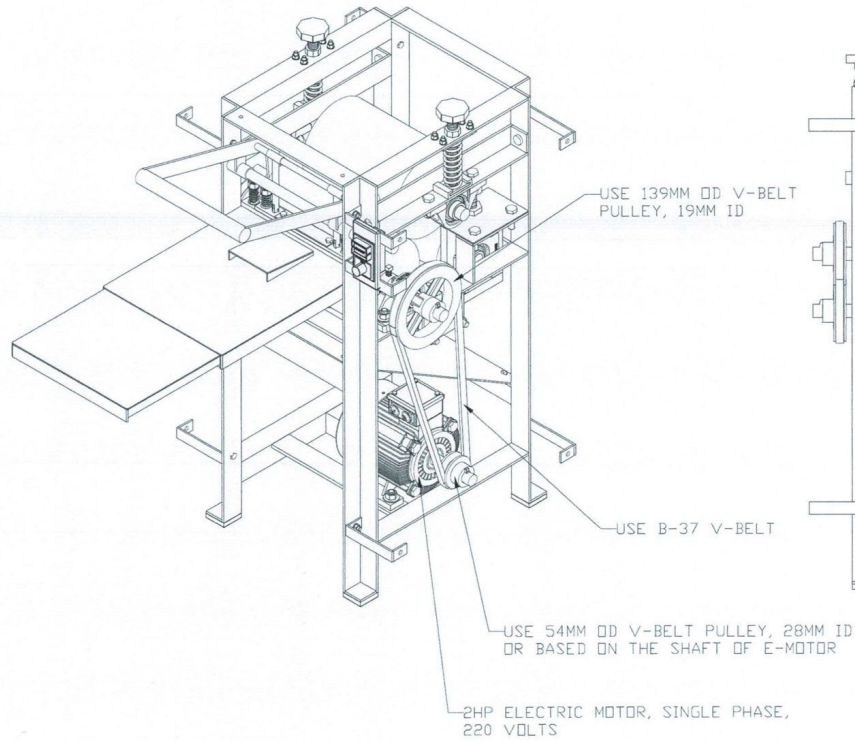


**PERSPECTIVE**  
 SCALE 1:5 MM

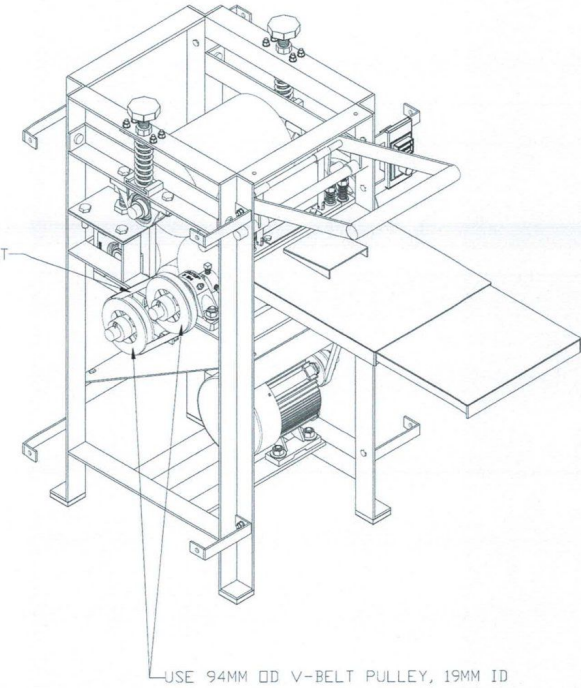
OWNER: <b>PHILIPPINE FIBER INDUSTRY DEVELOPMENT AUTHORITY</b> <small>3/F PCAF BLDG., DEPARTMENT OF AGRICULTURE          ELLIPTICAL ROAD, DILIMAN, QUEZON CITY</small>	PROJECT TITLE/LOCATION: <b>COMBINED BARIW SLITTER-PRESSER MACHINE</b>	SHEET CONTENTS: AS SHOWN DATE: REV. NO.:                      REV. DATE:	DRAWN & DESIGNED BY:  <b>ENGR. CLARK BARQUILLA</b> <small>AGRICULTURAL AND BIOSYSTEMS ENGINEER</small> PRC: 007711 PTR: TIN: VALID UNTIL: 04/28/2026	CHECKED BY:  <b>ENGR. PEPTO M. SORIANO III</b> <small>ENGINEER</small> PRC: 008584 PTR: TIN: VALID UNTIL: 07/13/2025	RECOMMENDING APPROVAL:  <b>CONCEPCION D. JOCSON</b> <small>OIC, FIBER UTILIZATION AND TECHNOLOGY DIVISION</small>	APPROVED BY:  <b>EVELYN B. CAGASAN, MM</b> <small>OIC, EXECUTIVE DIRECTOR</small>	SHEET NO. <div style="border: 1px solid black; border-radius: 50%; width: 20px; height: 20px; display: flex; align-items: center; justify-content: center; margin: 0 auto;"> <span style="margin: 0 5px;">1</span> </div> <div style="border: 1px solid black; border-radius: 50%; width: 20px; height: 20px; display: flex; align-items: center; justify-content: center; margin: 0 auto;"> <span style="margin: 0 5px;">12</span> </div>
---------------------------------------------------------------------------------------------------------------------------------------------------------------------------------	--------------------------------------------------------------------------	-----------------------------------------------------------------------------------	---------------------------------------------------------------------------------------------------------------------------------------------------------------------------	-------------------------------------------------------------------------------------------------------------------------------------------	----------------------------------------------------------------------------------------------------------------------------	--------------------------------------------------------------------------------------------	-----------------------------------------------------------------------------------------------------------------------------------------------------------------------------------------------------------------------------------------------------------------------------------------------------------------------------------------------------------------------------------------------------------------------------------------------



MOTOR SPEED CONTROLLER (PLEASE REFER TO THE PICTURE OR SIMILAR PRODUCTS)



USE B-19 V-BELT

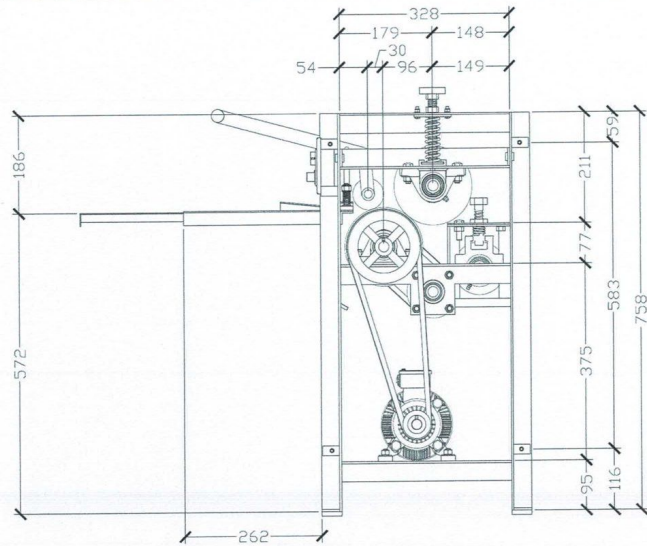


RIGHT SIDE ISOMETRIC  
SCALE 1:7 MM

FRONT VIEW  
SCALE 1:7 MM

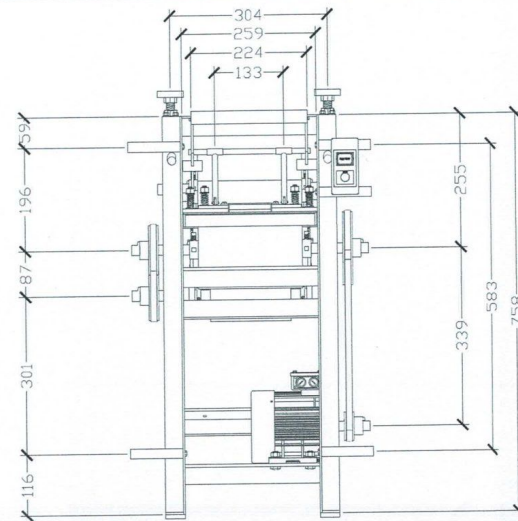
LEFT SIDE ISOMETRIC  
SCALE 1:7 MM

<p>OWNER: <b>PHILIPPINE FIBER INDUSTRY DEVELOPMENT AUTHORITY</b> 3/F PCAF BLDG., DEPARTMENT OF AGRICULTURE ELLIPTICAL ROAD, DILIMAN, QUEZON CITY</p>	<p>PROJECT TITLE/LOCATION: <b>COMBINED BARIW SLITTER-PRESSER MACHINE</b></p>	<p>SHEET CONTENTS: AS SHOWN</p>	<p>DRAWN &amp; DESIGNED BY: <i>Engr. Glenn Barquilla</i> <b>ENGR. GLENN BARQUILLA</b> AGRICULTURAL AND BIOTECHNOLOGY ENGINEER</p>	<p>CHECKED BY: <i>Engr. Pepito M. Soriano</i> <b>ENGR. PEPITO M. SORIANO</b> ENGINEER</p>	<p>RECOMMENDING APPROVAL: <i>Concepcion D. Jocson</i> <b>CONCEPCION D. JOCSON</b> OIC, FIBER UTILIZATION AND TECHNOLOGY DIVISION</p>	<p>APPROVED BY: <i>Evelyn B. Casas</i> <b>EVELYN B. CASAS</b> OIC, EXECUTIVE DIRECTOR</p>	<p>SHEET NO. 2 12</p>
<p>DATE: _____</p>			<p>PRC: 007711</p>		<p>PTR: 008584</p>		
<p>REV. NO.: _____ REV. DATE: _____</p>			<p>TIN: _____</p>		<p>TIN: _____</p>		
			<p>VALID UNTIL: 04/28/2028</p>		<p>VALID UNTIL: 07/13/2025</p>		



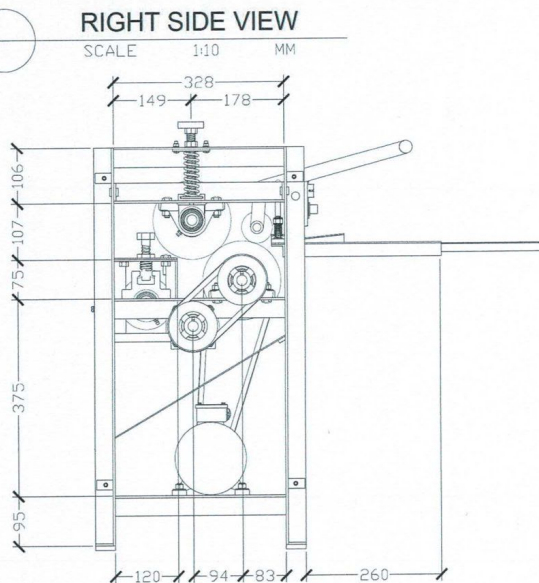
**RIGHT SIDE VIEW**

SCALE 1:10 MM



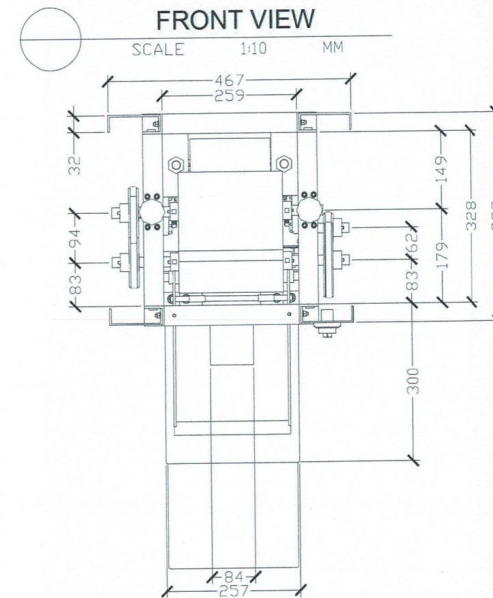
**FRONT VIEW**

SCALE 1:10 MM



**LEFT SIDE VIEW**

SCALE 1:10 MM



**TOP VIEW**

SCALE 1:10 MM

OWNER:  
**PHILIPPINE FIBER INDUSTRY  
 DEVELOPMENT AUTHORITY**  
 3/F PCAF BLDG., DEPARTMENT OF AGRICULTURE  
 ELLIPTICAL ROAD, DILIMAN, QUEZON CITY

PROJECT TITLE/LOCATION:  
**COMBINED BARIU SLITTER-PRESSER  
 MACHINE**

SHEET CONTENTS:  
 AS SHOWN  
 DATE:  
 REV. NO.:                      REV. DATE:

DRAWN & DESIGNED BY:  
**ENGR. CLAREN M. ARQUILLA**  
 AGRICULTURAL AND BIOSYSTEMS ENGINEER  
 PRC: 007711  
 PTR:  
 TIN:  
 VALID UNTIL: 04/28/2026

CHECKED BY:  
**ENGR. DEPTO M. SORIANO III**  
 ENGINEER II  
 PRC: 008584  
 PTR:  
 TIN:  
 VALID UNTIL: 07/13/2025

RECOMMENDING APPROVAL:  
**CONCEPTION L. JOGSON**  
 OIC, FIBER UTILIZATION AND TECHNOLOGY DIVISION

APPROVED BY:  
**EVELYN B. CAGASAN, MM**  
 OIC, EXECUTIVE DIRECTOR

SHEET NO.  
 3  
 12