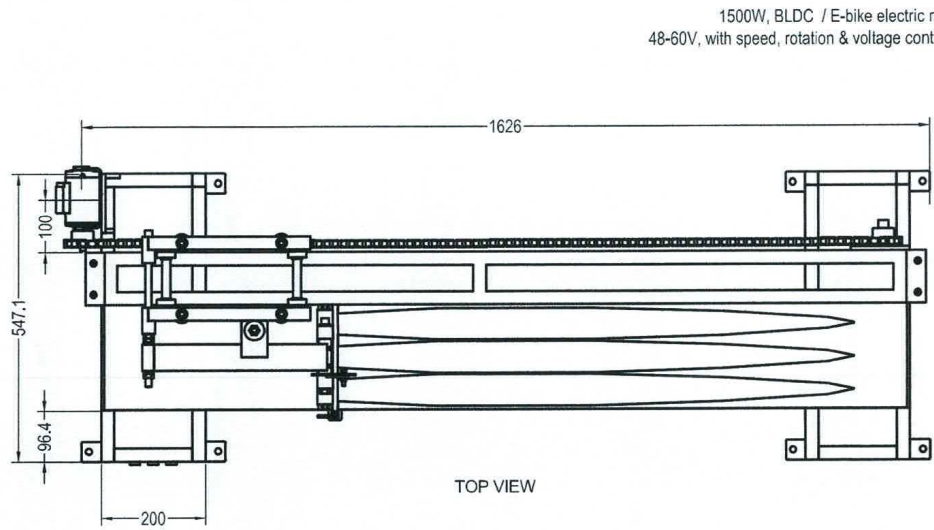
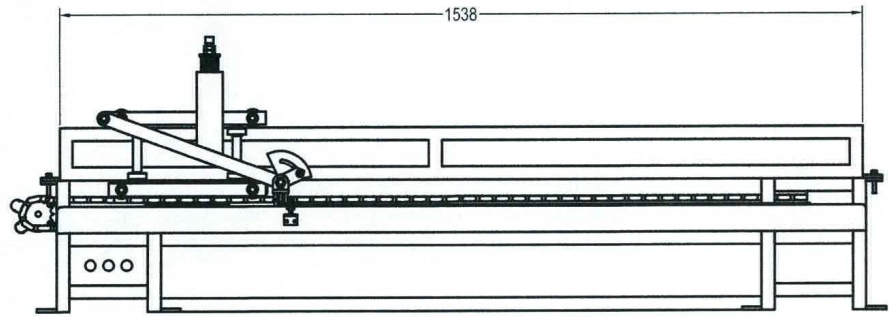


Mechanical Pineapple (*Ananas comosus*) Leaf Scraper Concept Design

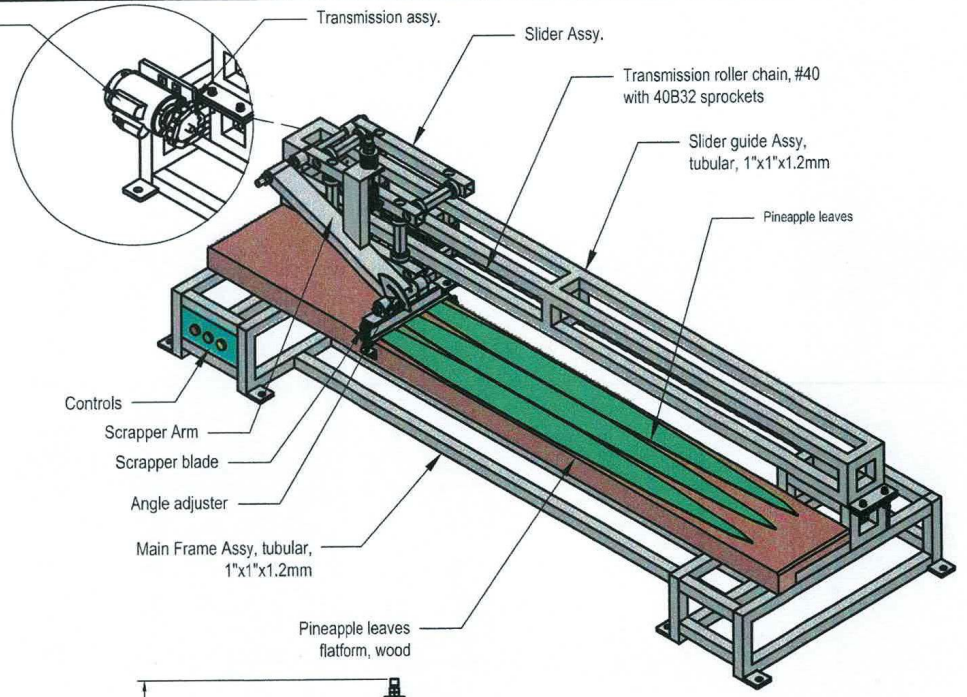
 <p>PHILIPPINE FIBER INDUSTRY DEVELOPMENT AUTHORITY 3/F DA-PCAF BLDG., DEPARTMENT OF AGRICULTURE ELLIPTICAL ROAD, DILIMAN, QUEZON CITY</p>	<p>PROJECT TITLE/LOCATION</p> <p align="center">Mechanical Pineapple (<i>Ananas comosus</i>) Leaf Scraper</p>	<p>SHEET CONTENTS</p> <p>AS SHOWN</p>	<p>DRAWN & DESIGNED</p> <p align="center"><i>[Signature]</i> PEPITO M. SORIANO III AGRICULTURAL AND ECOSYSTEM ENGINEER</p>	<p>CHECKED BY:</p> <p align="center"><i>[Signature]</i> CONCEPCION D. ESCOSON CHG. FIBER UTILIZATION AND TECHNOLOGY DIVISION</p>	<p>APPROVED</p> <p align="center"><i>[Signature]</i> ATTY. GENIEVIEVE VELICARIA SUVARRA, CESE ASSISTANT SECRETARY AND CONCURRENT OIC, EXECUTIVE DIRECTOR III</p>	<p>SHEET NO.</p> <p align="center">18</p>
		<p>DATE:</p> <p>REV. NO.:</p>	<p>PRJ: 002584</p> <p>FTN:</p> <p>TIN:</p> <p>VALIDITY DATE: 07/13/2025</p>	<p>REV. DATE:</p>		



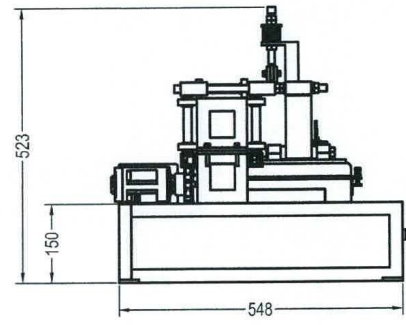
TOP VIEW



SIDE VIEW



PARTS NAME



FRONT VIEW

ORTHOGRAPHIC VIEW

<p>PHILIPPINE FIBER INDUSTRY DEVELOPMENT AUTHORITY 3/F DA-PCAF BLDG., DEPARTMENT OF AGRICULTURE ELLIPTICAL ROAD, DILIMAN, QUEZON CITY</p>	<p>PROJECT TITLE/LOCATION Mechanical Pineapple (<i>Ananas comosus</i>) Leaf Scraper</p>	<p>SHEET CONTENTS AS SHOWN</p>	<p>DRAWN & DESIGNED REPTO M. SORIANO AGRIC. MECH. AND BIC. SYSTEMS ENGINEER</p>	<p>CHECKED BY: CONCEPCION D. OCCSON CHIEF, FIBER UTILIZATION AND TECHNOLOGY DIVISION</p>	<p>APPROVED ATTY. GENIEVIEVE E. VELICARIA-GUEARRA, CESE ASSISTANT SECRETARY AND CONCURRENT OIC, EXECUTIVE DIRECTOR III</p>	<p>SHEET NO. 28</p>
		<p>DATE:</p>	<p>PRC: 008584 PTR: TN: VALIDITY DATE: 07/10/2025</p>	<p>REV. NO.: REV. DATE:</p>	<p>DATE:</p>	<p>DATE:</p>