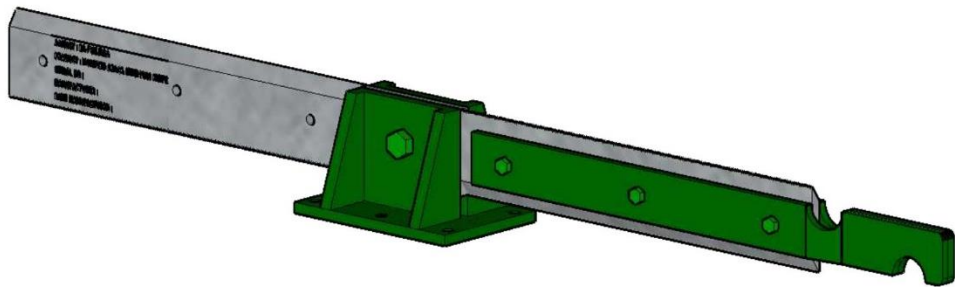




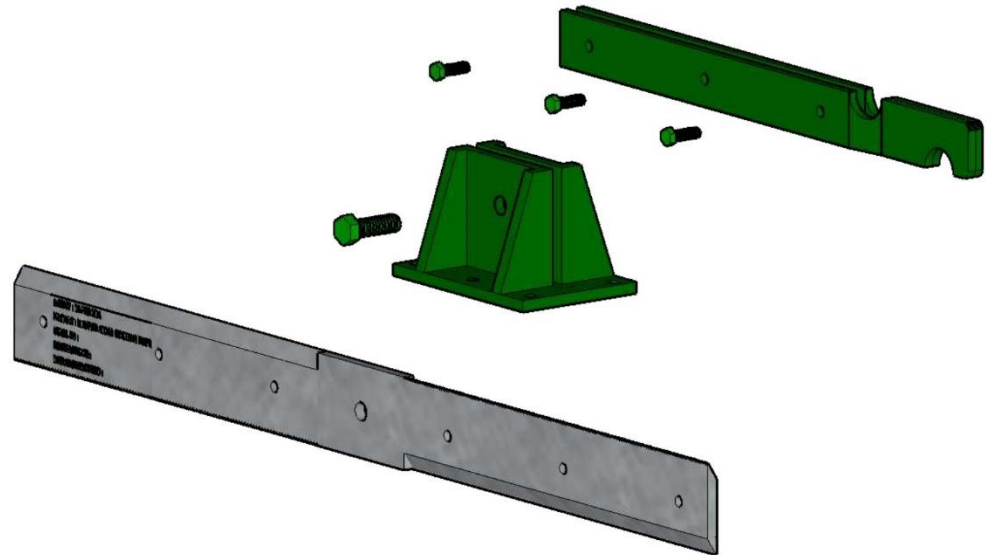
Republic of the Philippines  
Department of Agriculture  
**PHILIPPINE FIBER INDUSTRY DEVELOPMENT AUTHORITY**  
**The Bids and Awards Committee**  
3/F DA-PCAF Bldg., Department of Agriculture, Elliptical Rd., Diliman, Quezon City  
Email: [bac@philfida.da.gov.ph](mailto:bac@philfida.da.gov.ph); Website: [www.philfida.da.gov.ph](http://www.philfida.da.gov.ph)  
Trunk line: 928-8756 Local 2652; 8721-9813

# Early Procurement Activity (EPA) for the Fabrication, Supply and Delivery of Modified Abaca Stripping Knife (MASK) for CY 2024

## Annex A **DRAWINGS**

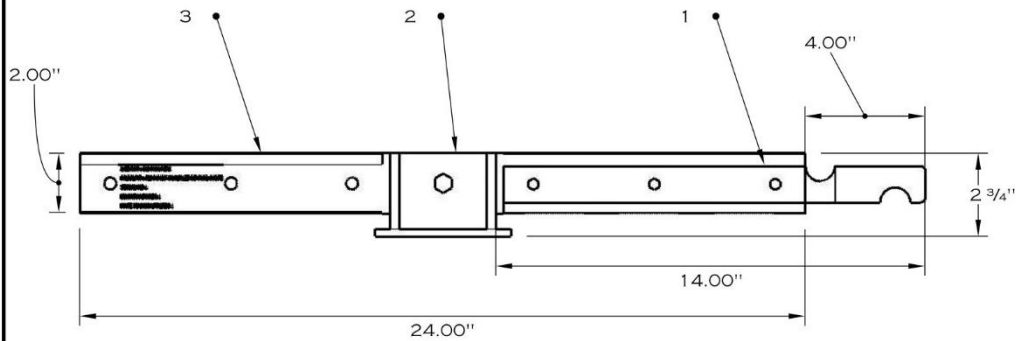


A ISOMETRIC VIEW  
M M  
1 5  
DRAWN NOT TO SCALE

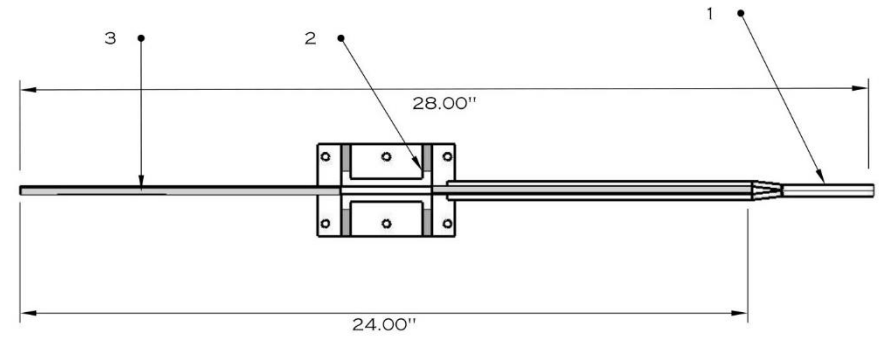


B EXPLODED VIEW  
M M  
1 5  
DRAWN NOT TO SCALE

MODIFIED ABACA STRIPPING KNIFE  
(MASK)  
MODEL NO. 2



**A** FRONT VIEW  
 M M  
 2 5  
 DRAWN NOT TO SCALE

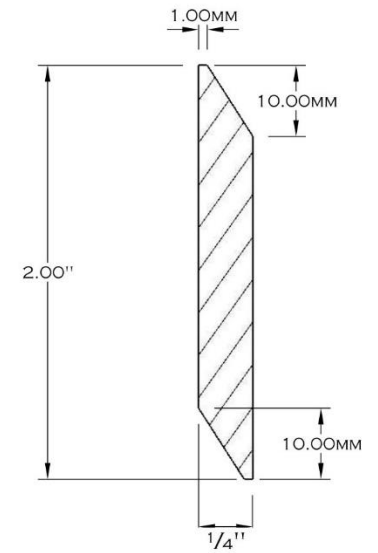
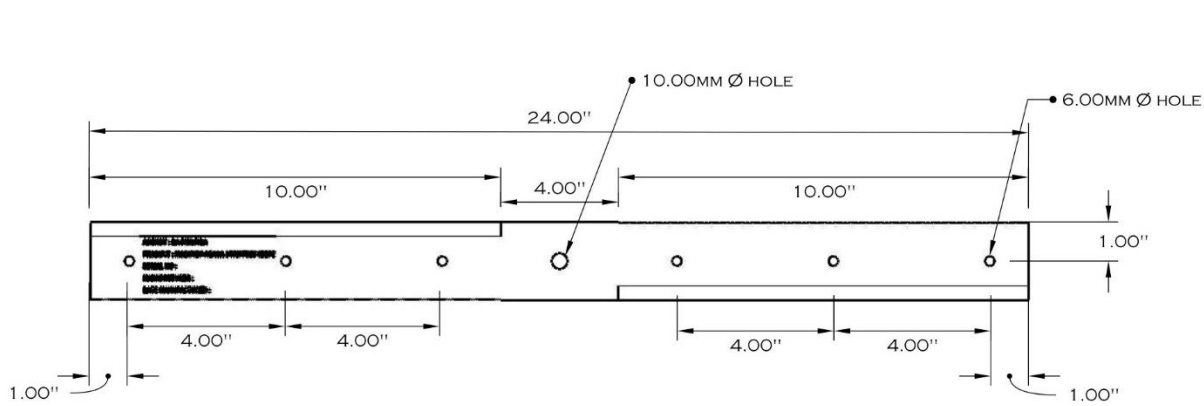


**B** TOP VIEW  
 M M  
 2 5  
 DRAWN NOT TO SCALE

NOTE:  
 ALL DIMENSION IS IN INCHES, UNLESS OTHERWISE SPECIFIED.  
 SUBJECT FOR ACTUAL VERIFICATION.

- STRIPPING BLADE ; 1/4" THK HARDENED STEEL WITH 50 HRC
- STRIPPING HANDLE ; 2 - 3/16" THK STEEL BAR
- STRIPPING GUIDE ; 1/4" THK STEEL BAR
- BOLT AND NUT ; STANDARD GRADE STEEL

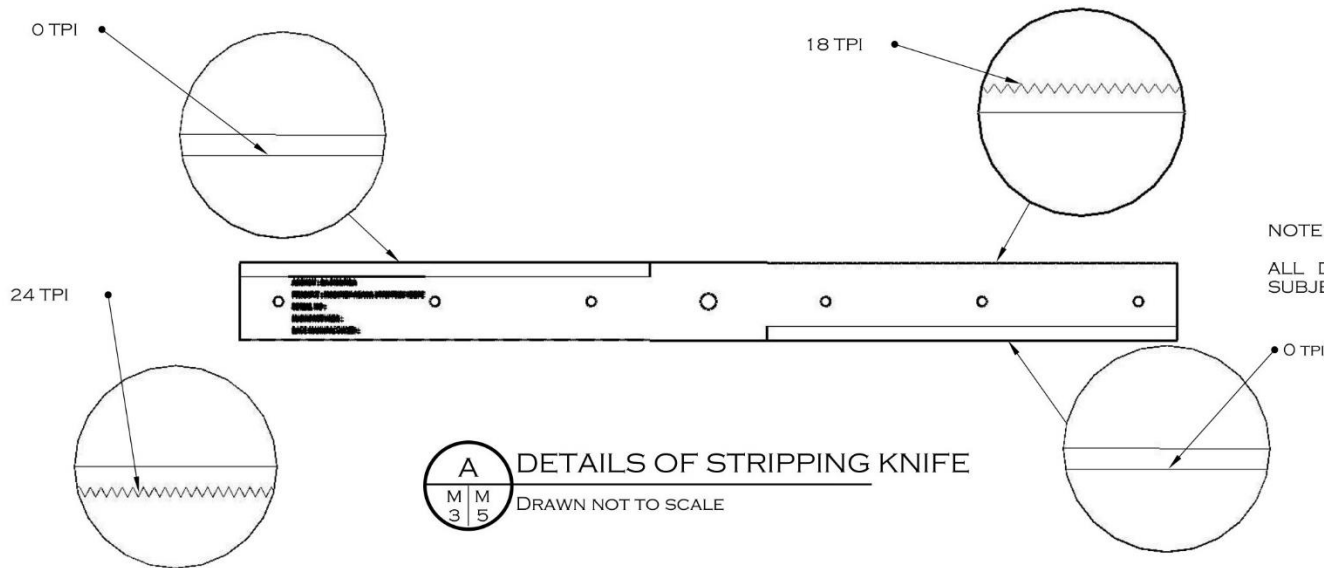
LEGEND	
NO	PARTS
1	STRIPPING KNIFE HANDLE
2	STRIPPING KNIFE GUIDE
3	STRIPPING KNIFE



**B** BLADE CROSS - SECTION  

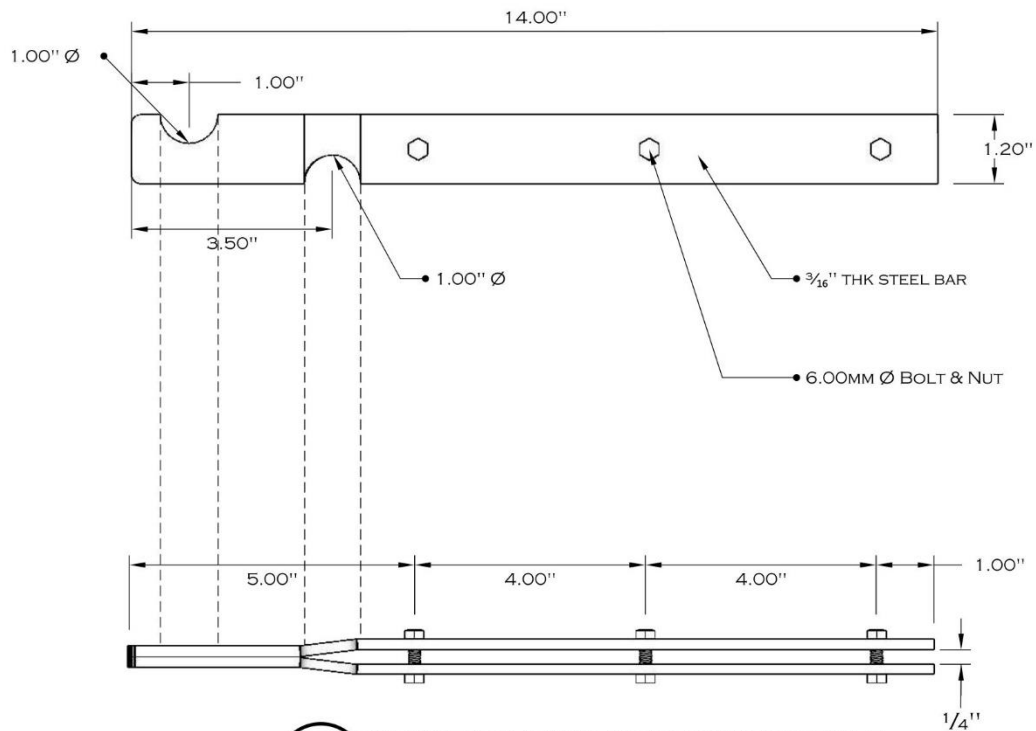
M	M
3	5

 DRAWN NOT TO SCALE



NOTE:

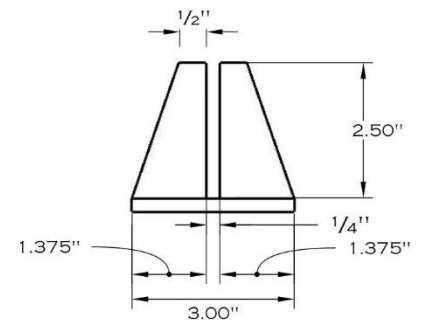
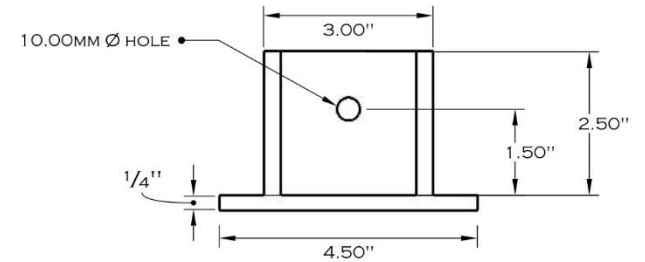
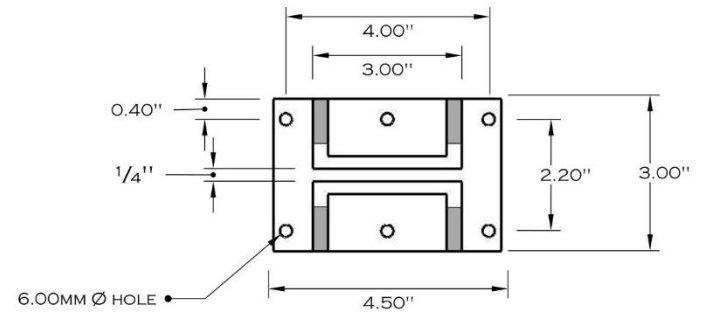
ALL DIMENSION IS IN INCHES, UNLESS OTHERWISE SPECIFIED.  
 SUBJECT FOR ACTUAL VERIFICATION.



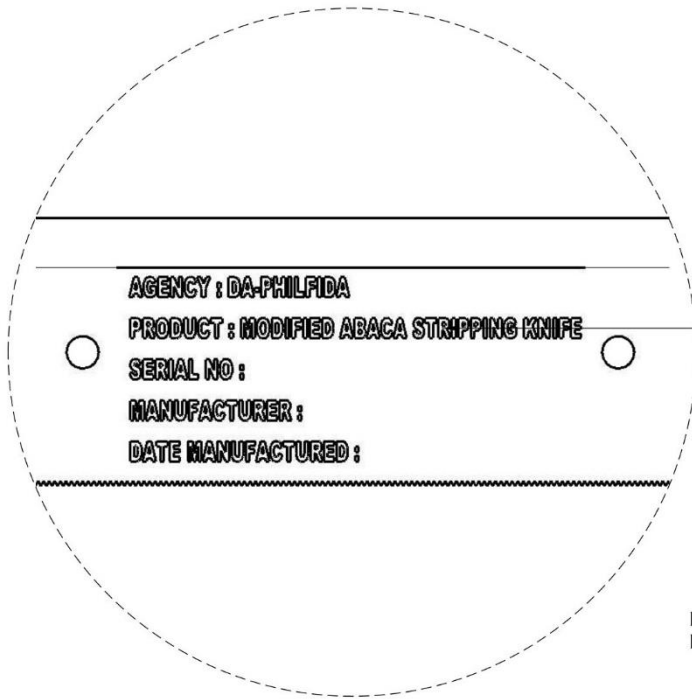
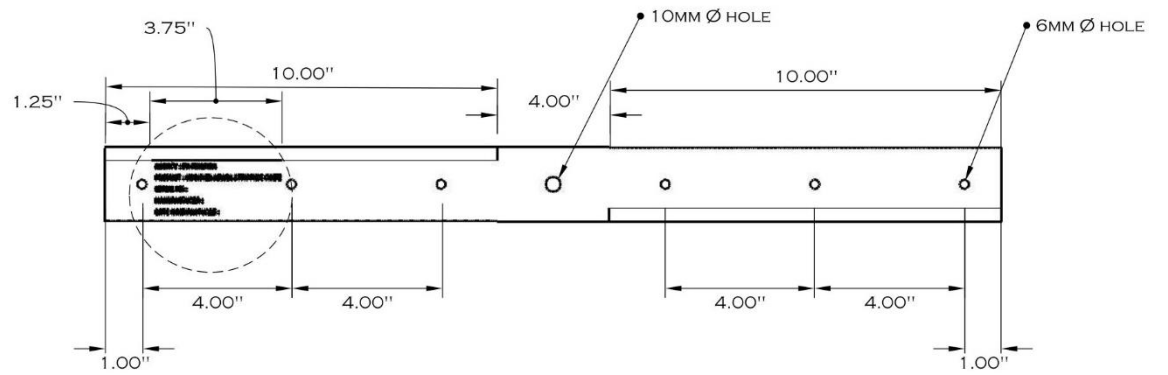
**A** DETAILS OF STRIPPING KNIFE HANDLE  
 M M  
 4 5  
 DRAWN NOT TO SCALE

NOTE:  
 ALL DIMENSION IS IN INCHES, UNLESS OTHERWISE SPECIFIED.  
 SUBJECT FOR ACTUAL VERIFICATION.

- 1. STRIPPING BASE & HANDLE : POWDER COATED, BAGUIO GREEN PAINT
- 2. STRIPPING KNIFE : ZINC COATED
- 3. ALL JOINTS ARE FULLY WELDED.



**B** DETAILS OF STRIPPING KNIFE GUIDE  
 M M  
 4 5  
 DRAWN NOT TO SCALE



LASER ENGRAVE  
(AT LEAST 3 PASSES)



FONT STYLE : ARIAL ROUNDED  
FONT SIZE : 11