

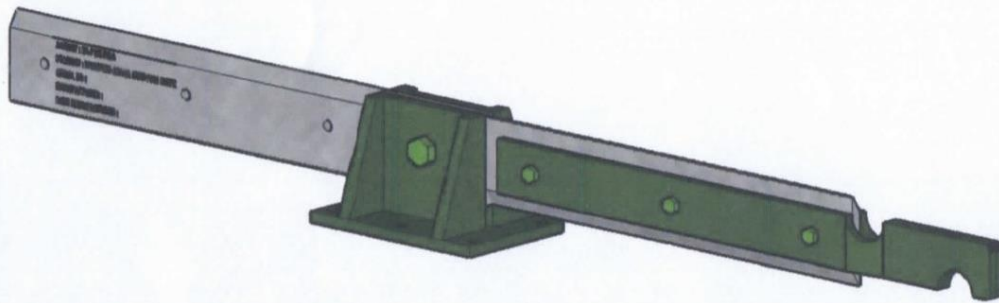


Republic of the Philippines
Department of Agriculture
PHILIPPINE FIBER INDUSTRY DEVELOPMENT AUTHORITY
The Bids and Awards Committee
3/F DA-PCAF Bldg., Department of Agriculture, Elliptical Rd., Diliman, Quezon City
Email: bac@philfida.da.gov.ph; Website: www.philfida.da.gov.ph
Trunk line: 928-8756 Local 2652; 8721-9813

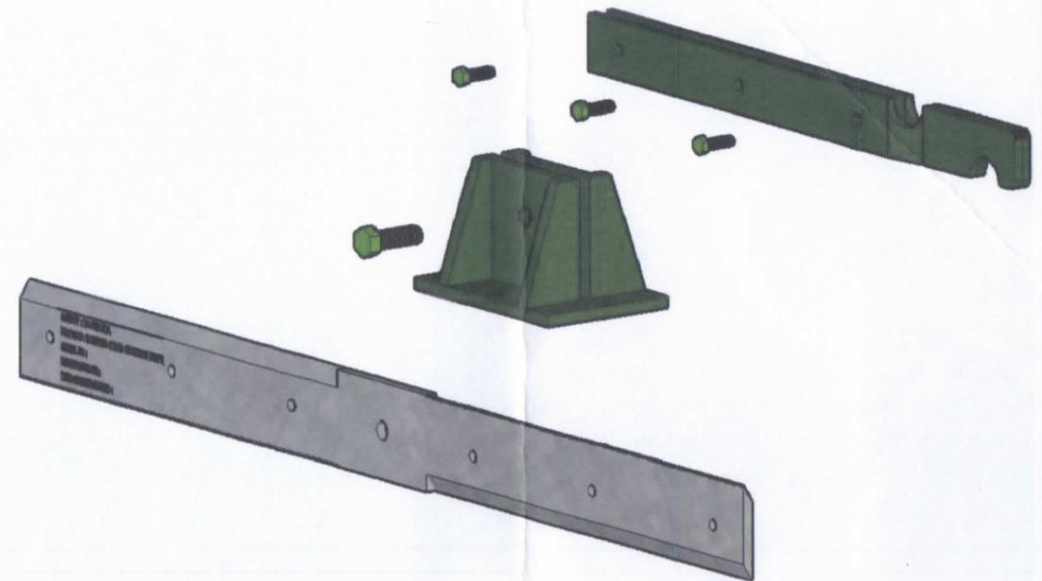
Early Procurement Activity (EPA) for the Fabrication, Supply and Delivery Of Modified Abaca Stripping Knife (MASK) for CY 2024

Annex A **DRAWINGS**




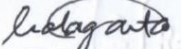





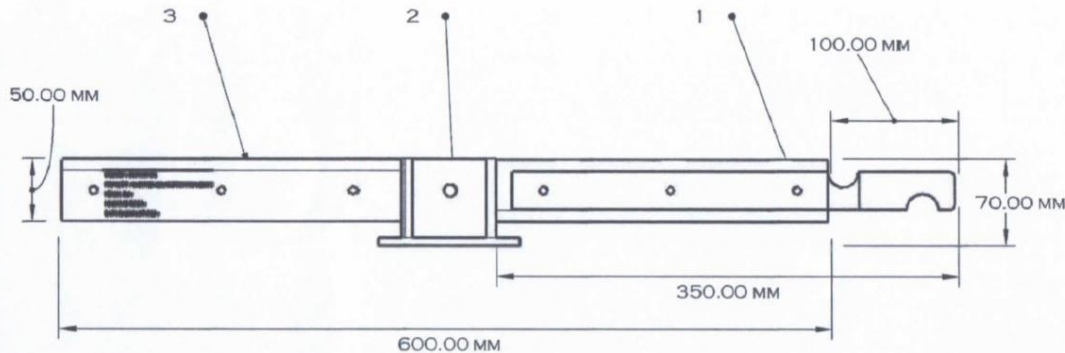
A ISOMETRIC VIEW
 M M
 1 5
 DRAWN NOT TO SCALE



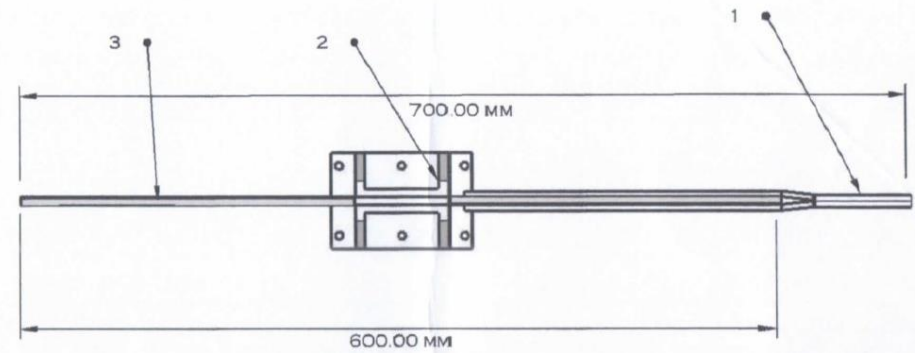
B EXPLODED VIEW
 M M
 1 5
 DRAWN NOT TO SCALE

**MODIFIED ABACA STRIPPING KNIFE
 (MASK)
 MODEL NO. 2**

OWNER		PROJECT TITLE/LOCATION	SHEET CONTENT	DRAWN/PREPARED BY:	REVIEWED BY:	RECOMMENDING APPROVAL:	APPROVED BY:	SHEET NO
	PHILIPPINE FIBER INDUSTRY DEVELOPMENT AUTHORITY 3/F DAPCAF BLDG. DEPARTMENT OF AGRICULTURE, ELLIPTICAL ROAD, DILIMAN, QUEZON CITY	MODIFIED ABACA STRIPPING KNIFE (MASK) MODEL NO. 2	AS SHOWN	 ENGR. LIAM ROBER A. LAGARTO PROJECT DEVELOPMENT OFFICER I	 ENGR. ROMY ALVIN D. DOMINGO FIBER DEVELOPMENT OFFICER II HEAD, EPOSS	 ENGR. ORLANDO D. COCAL OIC, INTERIM FIBER ENGINEERING DIVISION	 ATTY. GENEVIEVE B. VELICARIA- GUEVARRA-CESE ASSISTANT SECRETARY AND CONCURRENT OIC, EXECUTIVE DIRECTOR	M1 5



A FRONT VIEW
 M M
 2 5
 DRAWN NOT TO SCALE


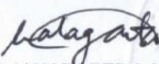





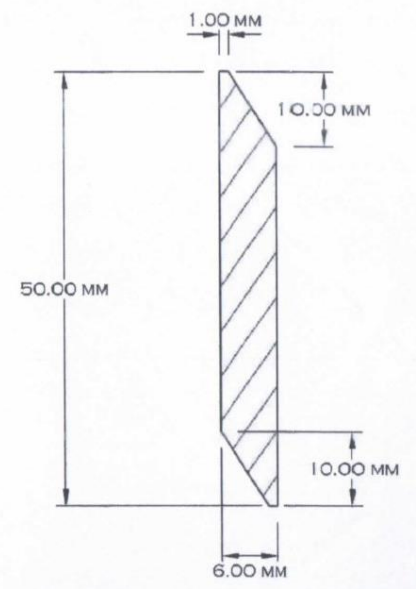
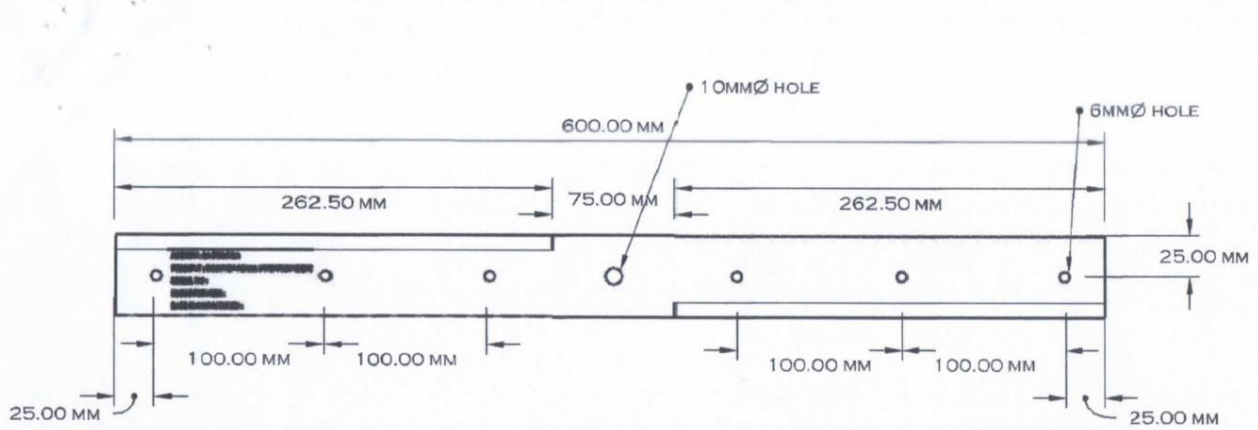
B TOP VIEW
 M M
 2 5
 DRAWN NOT TO SCALE

NOTE:
 ALL DIMENSION IS IN MILLIMETERS, UNLESS OTHERWISE SPECIFIED

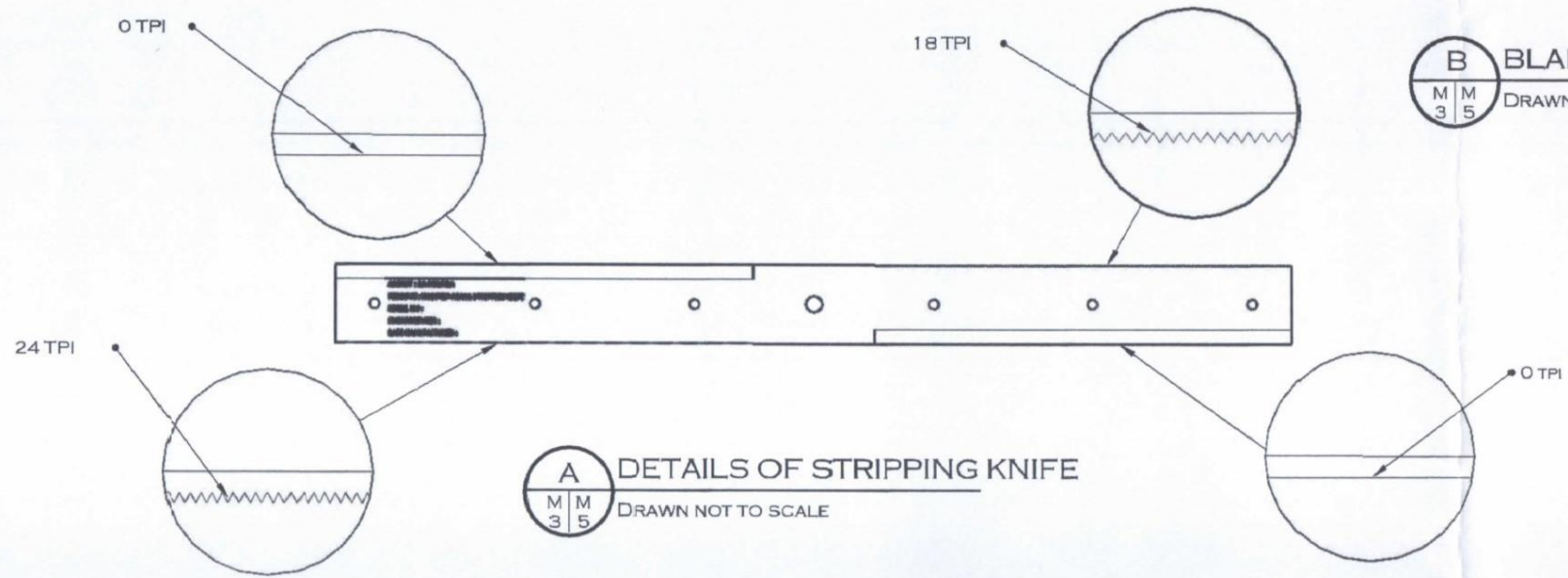
- STRIPPING BLADE : 1/4" THK HARDENED STEEL WITH 50 HRC
- STRIPPING HANDLE : 2 - 3/16" THK MILD STEEL BAR
- STRIPPING GUIDE : 1/4" THK MILD STEEL BAR
- BOLT AND NUT : STANDARD GRADE STEEL

LEGEND	
NO	PARTS
1	STRIPPING KNIFE HANDLE
2	STRIPPING KNIFE GUIDE
3	STRIPPING KNIFE


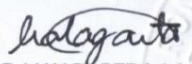



OWNER	PROJECT TITLE/LOCATION	SHEET CONTENT	DRAWN/PREPARED BY:	REVIEWED BY:	RECOMMENDING APPROVAL:	APPROVED BY:	SHEET NO
 PHILIPPINE FIBER INDUSTRY DEVELOPMENT AUTHORITY 3/F DAPCAF BLDG. DEPARTMENT OF AGRICULTURE, ELLIPTICAL ROAD, DILIMAN, QUEZON CITY	MODIFIED ABACA STRIPPING KNIFE (MASK) MODEL NO. 2	AS SHOWN	 ENGR. LIAM ROBER A. LAGARTO PROJECT DEVELOPMENT OFFICER I	 ENGR. ROMY ALVIN D. DOMINGO FIBER DEVELOPMENT OFFICER II HEAD, EPOSS	 ENGR. ORLANDO D. COGAL OIC, INTERIM FIBER ENGINEERING DIVISION	 ATTY. GENEVIEVE E. VELICARIA-GUEVARRA, CESE ASSISTANT SECRETARY AND CONCURRENT OIC, EXECUTIVE DIRECTOR	M2 5

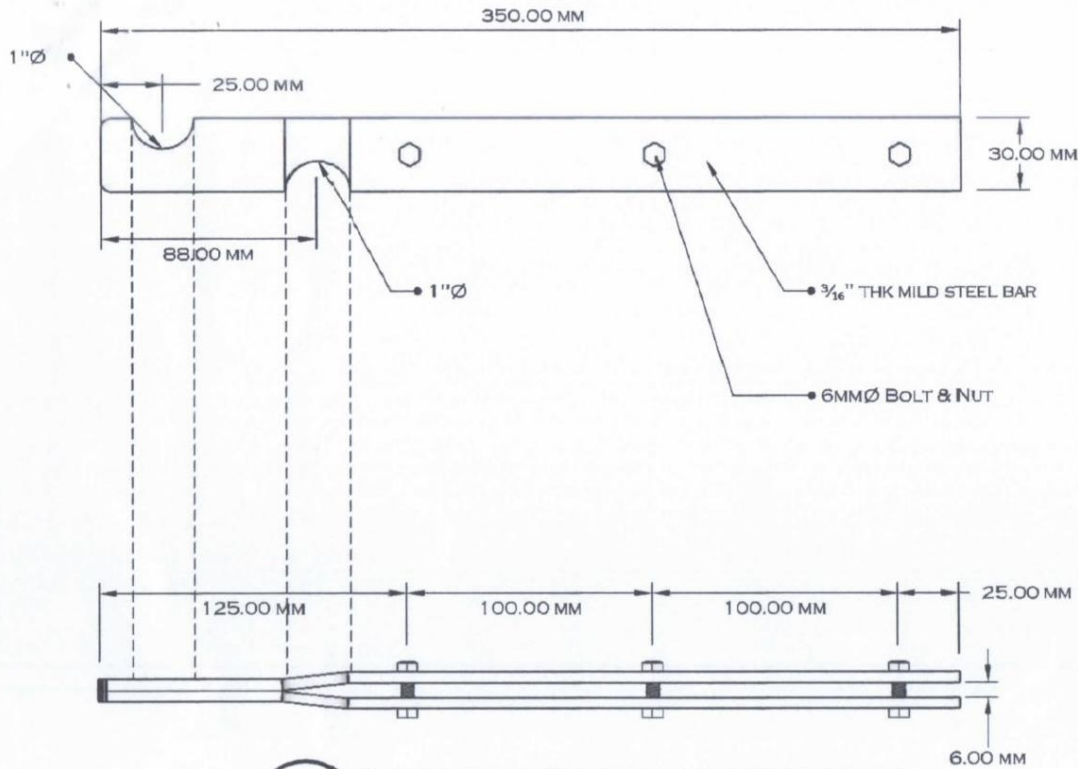


B BLADE CROSS - SECTION
 M M
 3 5
 DRAWN NOT TO SCALE



A DETAILS OF STRIPPING KNIFE
 M M
 3 5
 DRAWN NOT TO SCALE

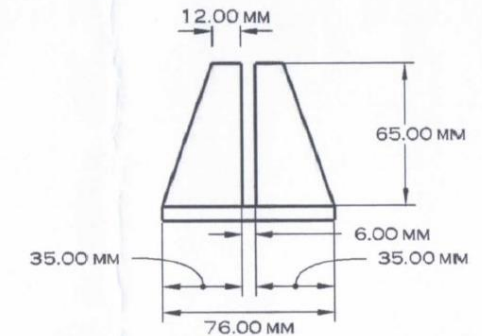
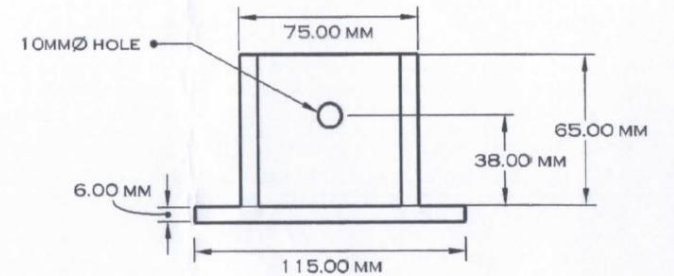
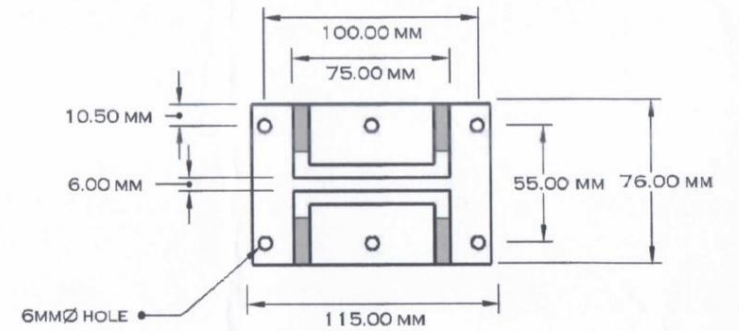
OWNER	PROJECT TITLE/LOCATION	SHEET CONTENT	DRAWN/PREPARED BY:	REVIEWED BY:	RECOMMENDING APPROVAL:	APPROVED BY:	SHEET NO
 PHILIPPINE FIBER INDUSTRY DEVELOPMENT AUTHORITY 3/F DAPCAF BLDG. DEPARTMENT OF AGRICULTURE, ELLIPTICAL ROAD, DILIMAN, QUEZON CITY	MODIFIED ABACA STRIPPING KNIFE (MASK) MODEL NO. 2	AS SHOWN	 ENGR. LIAM ROBER A. LAGARTO PROJECT DEVELOPMENT OFFICER I	 ENGR. ROMY ALVIN D. DOMINGO FIBER DEVELOPMENT OFFICER II HEAD, EPDSS	 ENGR. ORLA D. COCAL OIC, INTERIM FIBER ENGINEERING DIVISION	 ATTY. GENEVIEVE E. VELAZQUEZ-GUEVARRA, CESE ASSISTANT SECRETARY AND CONCURRENT OIC, EXECUTIVE DIRECTOR	M3 5




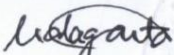
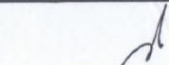
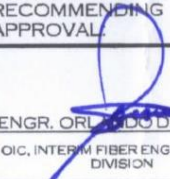


A DETAILS OF STRIPPING KNIFE HANDLE
 M M
 4 5
 DRAWN NOT TO SCALE

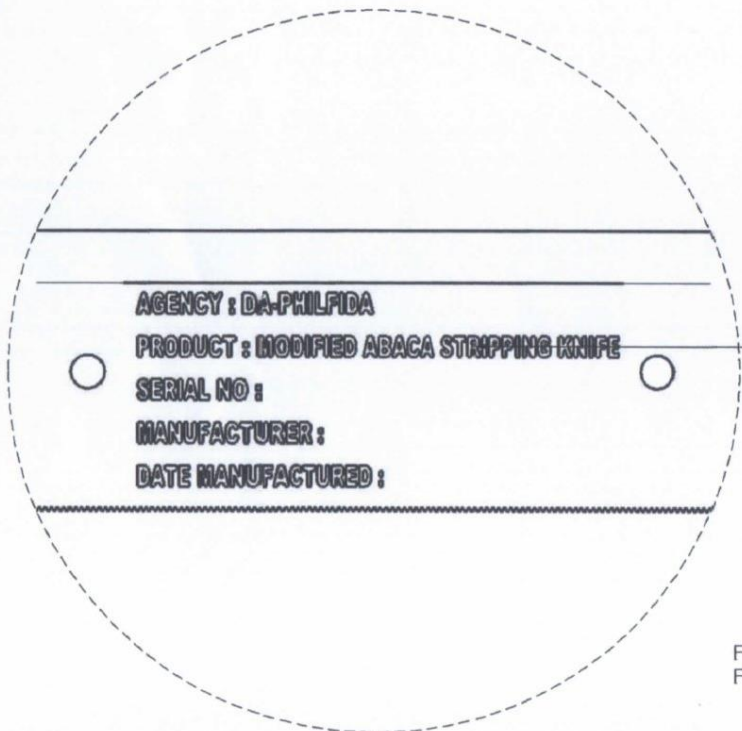
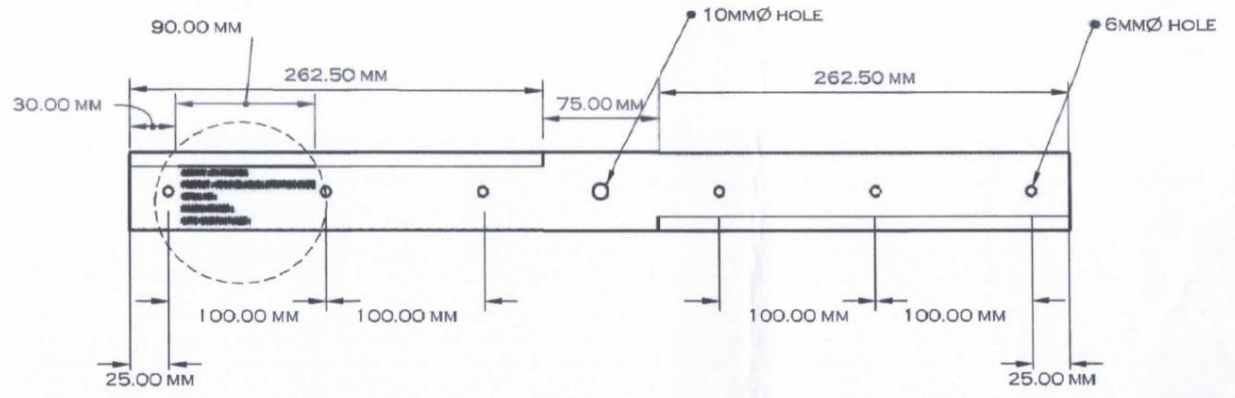
NOTE:
 ALL DIMENSION IS IN MILLIMETERS, UNLESS OTHERWISE SPECIFIED.

- 1. STRIPPING BASE & HANDLE : POWDER COATED, BAGUIO GREEN PAINT
- 2. STRIPPING KNIFE : ZINC COATED
- 3. ALL JOINTS ARE FULLY WELDED.




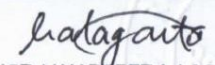



B DETAILS OF STRIPPING KNIFE GUIDE
 M M
 4 5
 DRAWN NOT TO SCALE

OWNER	PROJECT TITLE/LOCATION	SHEET CONTENT	DRAWN/PREPARED BY:	REVIEWED BY:	RECOMMENDING APPROVAL	APPROVED BY:	SHEET NO
 PHILIPPINE FIBER INDUSTRY DEVELOPMENT AUTHORITY 3/F DA-PCAF BLDG. DEPARTMENT OF AGRICULTURE, ELLIPTICAL ROAD, DILIMAN, QUEZON CITY	MODIFIED ABACA STRIPPING KNIFE (MASK) MODEL NO. 2	AS SHOWN	 ENGR. LIAM ROBER A. LAGARTO PROJECT DEVELOPMENT OFFICER I	 ENGR. ROMY ALVIN D. DOMINGO FIBER DEVELOPMENT OFFICER II HEAD, EPOSS	 ENGR. ORLANDO D. COCAL OIC, INTERIM FIBER ENGINEERING DIVISION	 ATTY. GENEVIEVE E. VELICARIA-GUEVARRA, CFSE ASSISTANT SECRETARY AND CONCURRENT OIC, EXECUTIVE DIRECTOR	 M4 5



A DETAILS OF PHILFIDA MARKINGS
 M M
 5 5
 DRAWN NOT TO SCALE

FONT STYLE : ARIAL ROUNDED
 FONT SIZE : 11

OWNER	PROJECT TITLE/LOCATION	SHEET CONTENT	DRAWN/PREPARED BY:	REVIEWED BY:	RECOMMENDING APPROVAL:	APPROVED BY:	SHEET NO
 PHILIPPINE FIBER INDUSTRY DEVELOPMENT AUTHORITY 3/F DAPCAF BLDG. DEPARTMENT OF AGRICULTURE, ELLIPTICAL ROAD, DILIMAN, QUEZON CITY	MODIFIED ABACA STRIPPING KNIFE (MASK) MODEL NO. 2	AS SHOWN	 ENGR. LIAM ROBER A. LAGARTO PROJECT DEVELOPMENT OFFICER I	 ENGR. ROMY ALVIN D. DOMINGO FIBER DEVELOPMENT OFFICER II HEAD, EPOSS	 ENGR. ORIA DO D. COCAL OIC, INTERIM FIBER ENGINEERING DIVISION	 ATTY. GENEVIEVE F. VELICARIA-BUEVARRA, CESE ASSISTANT SECRETARY AND CONCURRENT OIC, EXECUTIVE DIRECTOR	