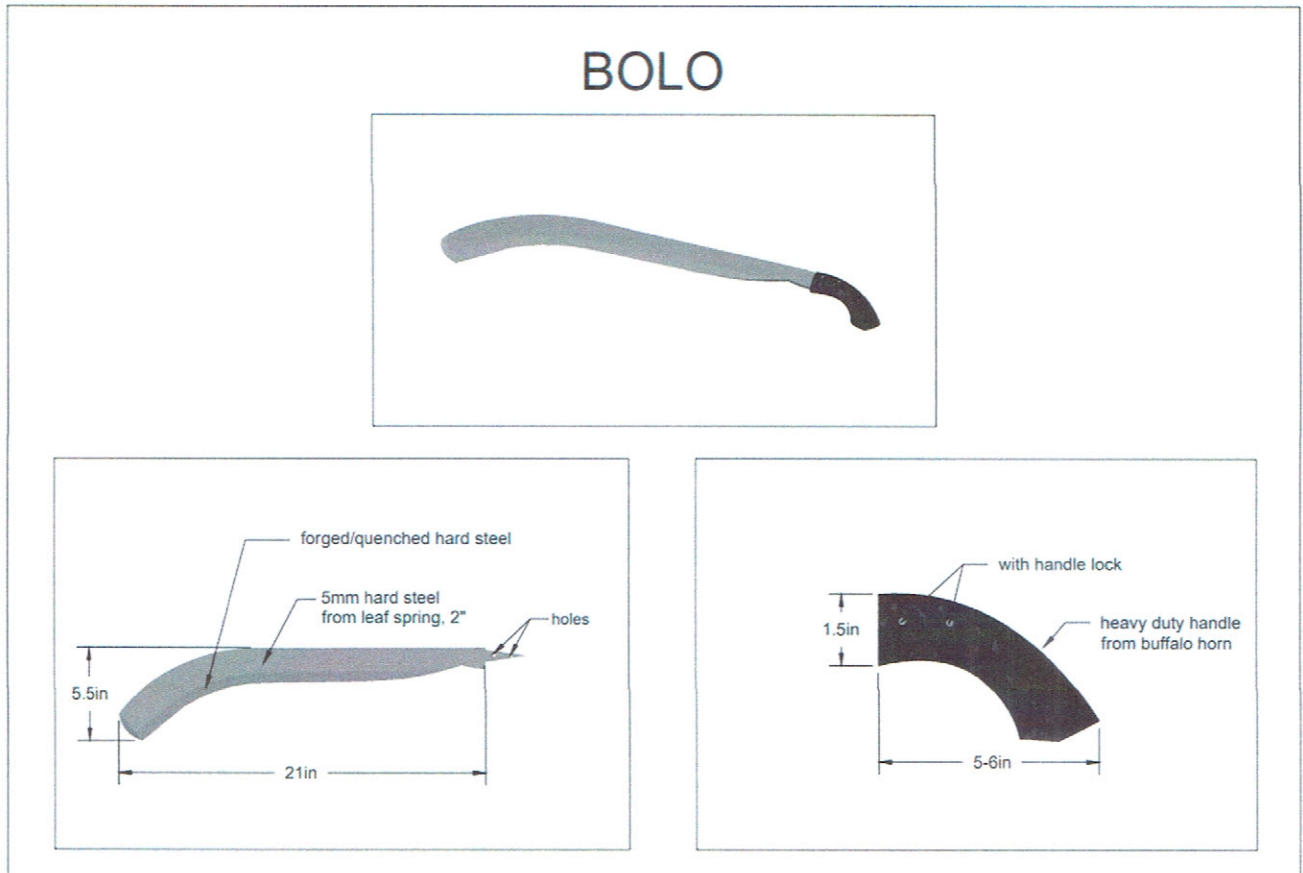




DETAILED DESIGN



Prepared by:


ENGR. JONATHAN M. REAMBONANZA
OIC, TAU

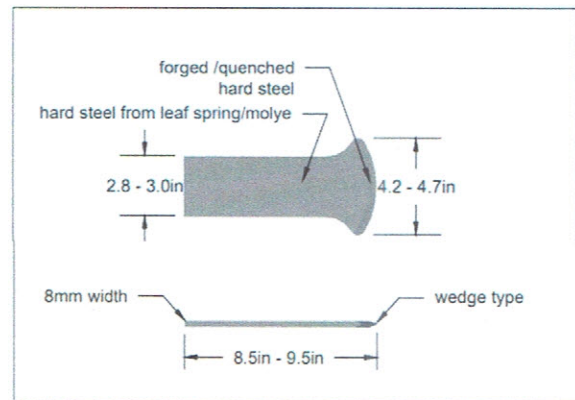
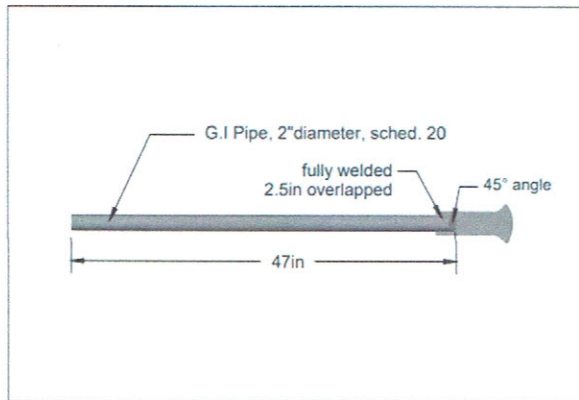
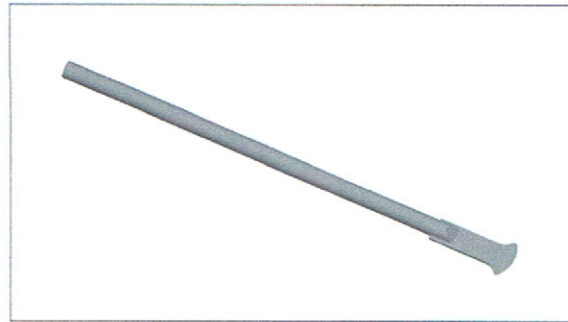
Approved:


ENGR. WILARDO O. SINAHON
Regional Director



DETAILED DESIGN

DIGGING BAR



Prepared by:

ENGR. JONATHAN M. REAMBONANZA
OIG, TAU

Approved:

ENGR. WILARDO O. SINAHON
Regional Director