

TABLE OF CONTENTS

MUNICIPAL ENGINEER

OFFICE/TRADING CENTER

WAREHOUSE

STRIPPING SHED

- VICINITY MAP
- SITE DEVELOPMENT PLAN
- PERSPECTIVE
- FLOOR PLAN
- FRONT VIEW
- RIGHT SIDE VIEW
- LEFT SIDE VIEW
- SCHEDULE OF WINDOW
- SCHEDULE OF DOOR
- REFLECTED CEILING PLAN
- FOUNDATION PLAN
- ROOF BEAM DETAILS
- TIE BEAM DETAILS
- WALL FOOTING DETAILS
- COLUMN FOOTING DETAILS
- ROOF FRAMING PLAN
- TRUSS DIAGRAM DETAIL
- ELECTRICAL SPECIFICATION
- LIGHTING OUTLET LAYOUT
- CONVENIENCE OUTLET LAYOUT
- DETAIL OF SEPTIC TANK
- SEWERLINE LAYOUT
- RISER DIAGRAM
- PERSPECTIVE
- FLOOR PLAN
- RIGHT SIDE ELEVATION
- FRONT ELEVATION
- SCHEDULE OF DOOR
- FOUNDATION PLAN
- ROOF BEAM DETAILS
- WALL FOOTING DETAIL
- TIE BEAM DETAILS
- COLUMN FOOTING DETAIL
- ROOF FRAMING PLAN
- TRUSS DIAGRAM DETAILS
- ELECTRICAL SPECIFICATION
- LIGHTING OUTLET PLAN
- CONVENIENCE OUTLET PLAN
- RISER DIAGRAM
- PERSPECTIVE
- FLOOR PLAN
- RIGHT SIDE PLAN
- FRONT PLAN
- SECTION THRU "XX"
- REFLECTED CEILING PLAN
- TILE DETAILS
- SCHEDULE OF DOORS AND WINDOWS
- FOUNDATION PLAN
- ROOF BEAM DETAILS
- TIE BEAM DETAILS
- COLUMN FOOTING DETAILS
- ROOF FRAMING PLAN
- TRUSS DETAILS
- FACIA FRAME DETAILS
- DETAILS OF DRYING AREA
- PLUMBING SPECIFICATION
- WATER & SEWER LINE
- ELECTRICAL SPECIFICATION
- LIGHTING OUTLET LAYOUT
- CONVENIENCE OUTLET LAYOUT
- RISER DIAGRAM

LAND USE & ZONING

LINE & GRADE

ARCHITECTURAL

STRUCTURAL

PLUMBING

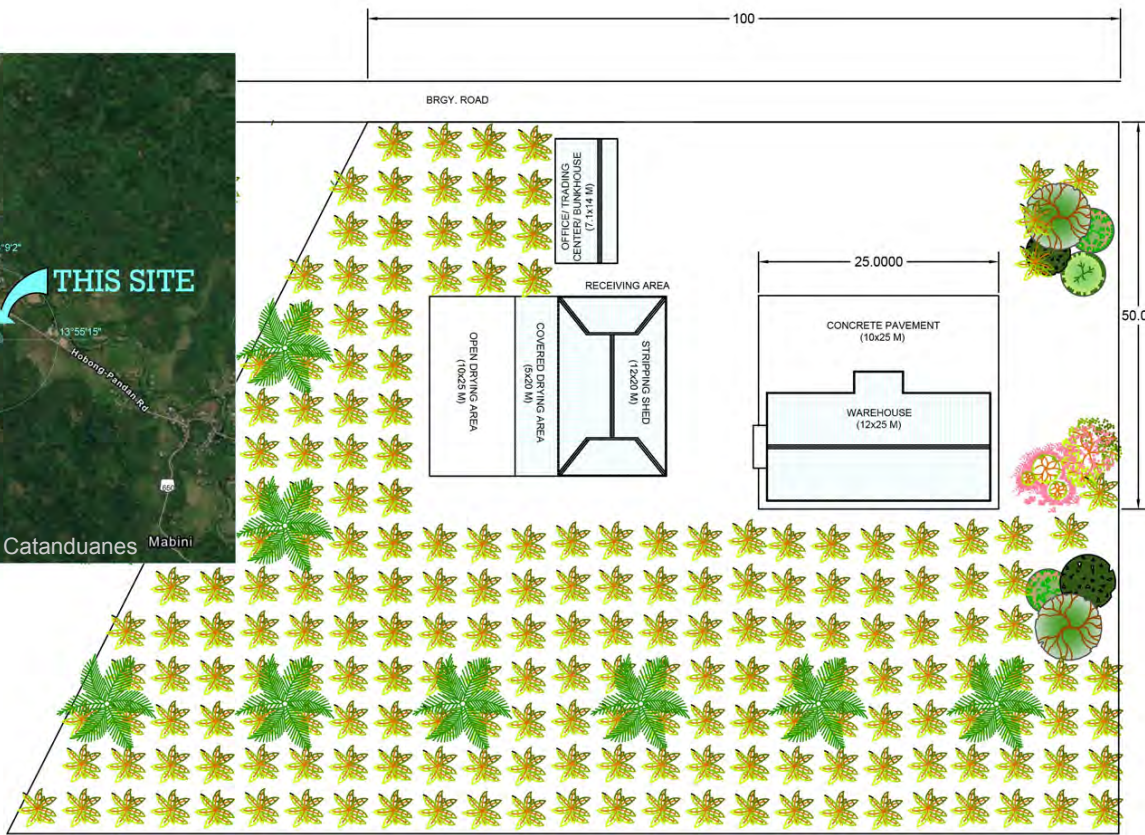
ELECTRICAL

MECHANICAL



THIS SITE

Brgy. Sabangan, Caramoran Catanduanes



ABTSP
VICINITY MAP SITE DEVELOPMENT PLAN (1 HA LAND AREA)
SCALE(200X30)
SCALE(A3)
HTS

OWNER PHILIPPINE FIBER INDUSTRY DEVELOPMENT AUTHORITY 3/F DA-PCAF BLDG., DEPARTMENT OF AGRICULTURE ELLIPTICAL ROAD, DILIMAN, QUEZON CITY	PROJECT TITLE/LOCATION CONSTRUCTION OF ABACA TUXY BUYING CENTER BUILDINGS/FACILITIES	SHEET CONTENTS	DRAWN / PREPARED & DESIGNED BY:	REVIEWED	RECOMMENDATION APPROVAL	APPROVED	SHEET NO.
		AS SHOWN	ENGR. ROMY ALVIN D. DOMINGO/ ENGR. ORLANDO D. COCAL	ENGR. IRMA R. RODIS	ENGR. MARIETA A. RODRIGUEZ	KENNEDY T. COSTALES	A 1
			LIC. # 7679 FDO II / OIC-TAD	ENGINEER II	OIC - IFED	EXECUTIVE DIRECTOR III	



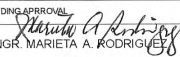

MUNICIPAL ENGINEER

ARCHITECTURAL



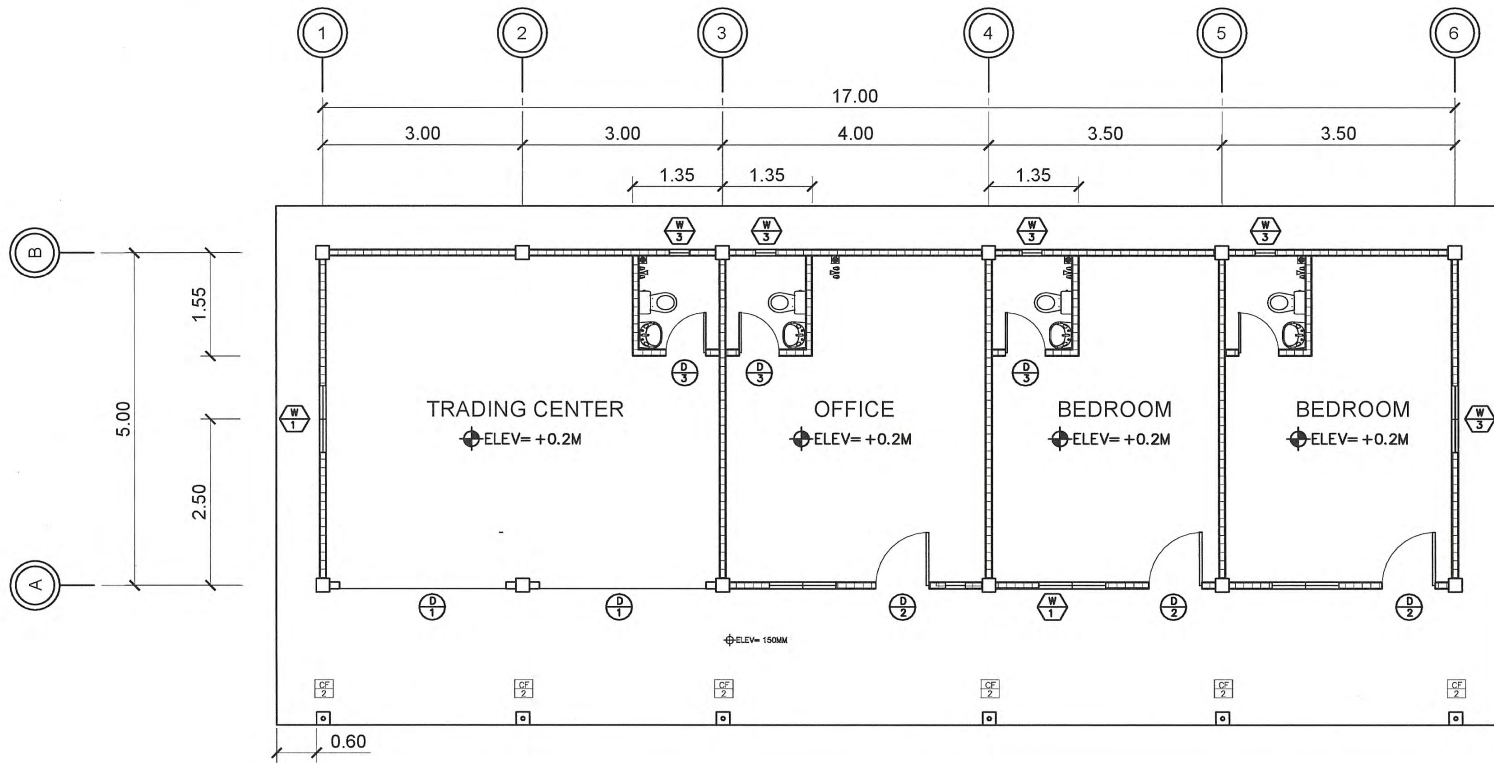
OFFICE BLDG
PERSPECTIVE

SCALE(20000)
SCALE(A3) 1:40M
1:80M

<p>OWNER</p>  <p>PHILIPPINE FIBER INDUSTRY DEVELOPMENT AUTHORITY 3/F DA-PCAF BLDG., DEPARTMENT OF AGRICULTURE ELLIPTICAL ROAD, DILIMAN, QUEZON CITY</p>	<p>PROJECT TITLE/LOCATION</p> <p>CONSTRUCTION OF ABACA TUXY BUYING CENTER BUILDINGS/FACILITIES</p>	<p>SHEET CONTENTS</p> <p>AS SHOWN</p>	<p>DRAWN / PREPARED & DESIGNED BY:</p> <p>ENGR. ROMY ALVIN B. DOMINGO/ ENGR. ORLANDO COCAL</p> <p>LIC.# 7679 FDO II / OIC-TAD 13895</p>	<p>REVIEWED</p>  <p>ENGR. IRMA R. RODIS</p> <p>ENGINEER II</p>	<p>RECOMMENDING APPROVAL</p>  <p>ENGR. MARIETA A. RODRIGUEZ</p> <p>OIC - IPED</p>	<p>APPROVED</p>  <p>KENNEDY V. COSALES</p> <p>EXECUTIVE DIRECTOR III</p>	<p>A1 12</p>
--	--	---------------------------------------	---	---	--	---	------------------

MUNICIPAL ENGINEER

ARCHITECTURAL



NOTES:

1. All dimension is in meter, or unless otherwise specified.
2. It shall be the contractor's responsibility to provide adequate shoring and bracing of the structure for all loads that maybe imposed during construction.
3. The contractor shall verify all dimensions before all works is to begin.
4. Subject to actual verification.

OFFICE BLDG
GROUND FLOOR PLAN
SCALE(20X10)
SCALE(A3)
1:40M
1:80M

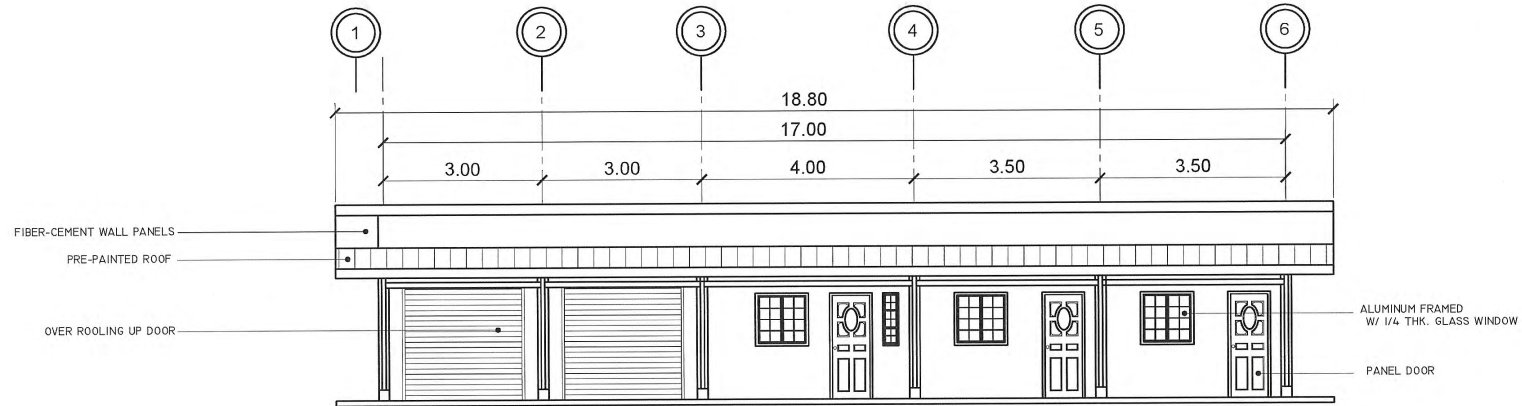
SYMBOLS:

	DOOR SCHEDULE
	WINDOW SCHEDULE
	FLOOR ELEVATION
	100 MM THK CHB PLAIN CEMENT PLASTER PAINTED FINISH 100 MM THK CHB WALL W/ 100 MM THK FOUNDATION
	200x200 MM CONCRETE COLUMN W/ 150 MM THK FOUNDATION
	750 MM DIA. G.I POST W/ 200x200x200 MM CONCRETE FOUNDATION

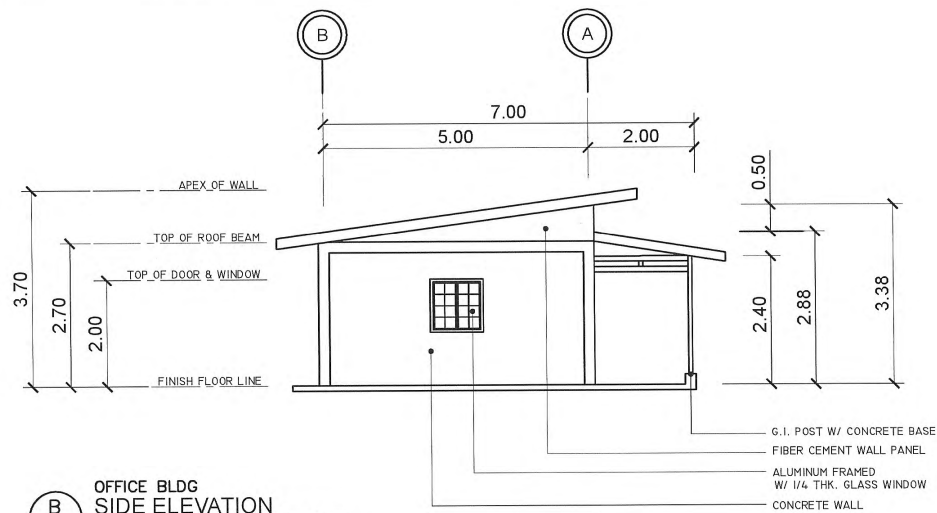
<p>PHILIPPINE FIBER INDUSTRY DEVELOPMENT AUTHORITY 3F DA-PCAF BLDG., DEPARTMENT OF AGRICULTURE ELLIPTICAL ROAD, DILIMAN, QUEZON CITY</p>	<p>PROJECT TITLE/LOCATION CONSTRUCTION OF ABACA TUXY BUYING CENTER BUILDINGS/FACILITIES</p>	<p>SHEET CONTENTS AS SHOWN</p>	<p>DRAWN / PREPARED & DESIGNED BY: ENGR. ROMY ALVIN D. DOMINGO/ ENGR. ORLANDO D. COCAL</p>	<p>REVIEWED ENGR. IRMA R. RODIS</p>	<p>RECOMMENDING APPROVAL ENGR. MARIETA A. RODRIGUEZ</p>	<p>APPROVED KENNEDY V. COSTALES</p>	<p>A2 12</p>
			<p>LIC # 7674 FDO II / OIC-TAD 3895</p>	<p>ENGINEER II</p>	<p>OIC - IFED</p>	<p>EXECUTIVE DIRECTOR III</p>	

MUNICIPAL ENGINEER

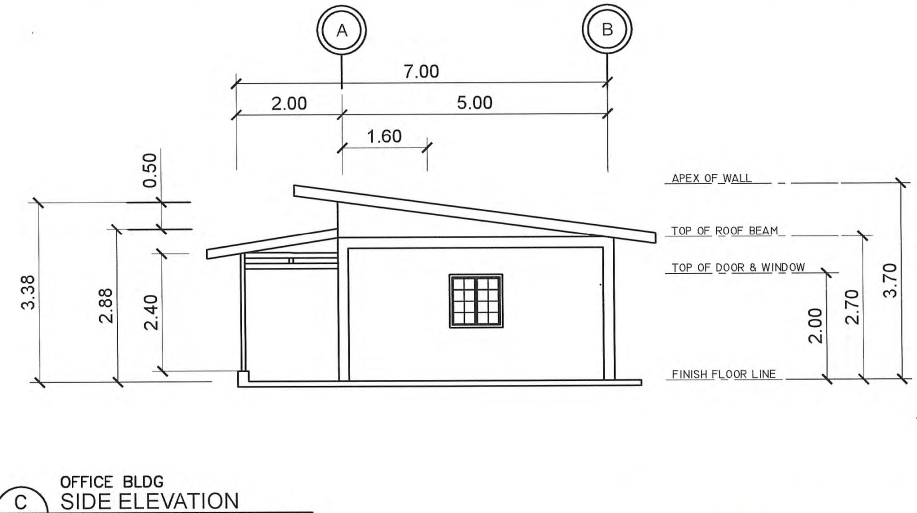
ARCHITECTURAL



A OFFICE BLDG
FRONT ELEVATION
SCALE(20X30)
SCALE(A3)
1:50M
1:100M



B OFFICE BLDG
SIDE ELEVATION
SCALE(20X30)
SCALE(A3)
1:50M
1:100M



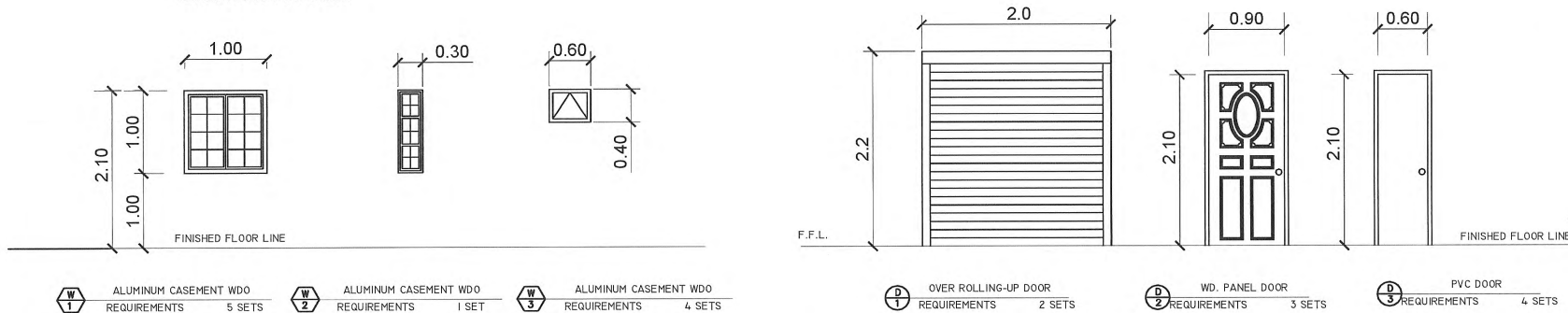
C OFFICE BLDG
SIDE ELEVATION
SCALE(20X30)
SCALE(A3)
1:50M
1:100M

<p>PHILIPPINE FIBER INDUSTRY DEVELOPMENT AUTHORITY 3/F DA-PCAF BLDG., DEPARTMENT OF AGRICULTURE ELLIPTICAL ROAD, DILIMAN, QUEZON CITY</p>	<p>PROJECT TITLE/LOCATION CONSTRUCTION OF ABACA TUYX BUYING CENTER BUILDINGS/FACILITIES</p>	<p>SHEET CONTENTS AS SHOWN</p>	<p>DRAWN / PREPARED & DESIGNED BY: ENGR. ROMY ALVIN D. DOMINGO / ENGR. ORLANDO D. COCAL LIC # 7474 FDO II / OIC-TAD 3895</p>	<p>REVIEWED ENGR. IRMA R. RODIS ENGINEER II</p>	<p>RECOMMENDING APPROVAL ENGR. MARIETA A. RODRIGUEZ OIC - IFED</p>	<p>APPROVED KENNEDY T. COSTALES EXECUTIVE DIRECTOR III</p>	<p>A3 12</p>
		<p>OWNER PHILIPPINE FIBER INDUSTRY DEVELOPMENT AUTHORITY</p>	<p>APPROVED</p>	<p>APPROVED</p>	<p>APPROVED</p>	<p>APPROVED</p>	<p>APPROVED</p>

MUNICIPAL ENGINEER

ARCHITECTURAL

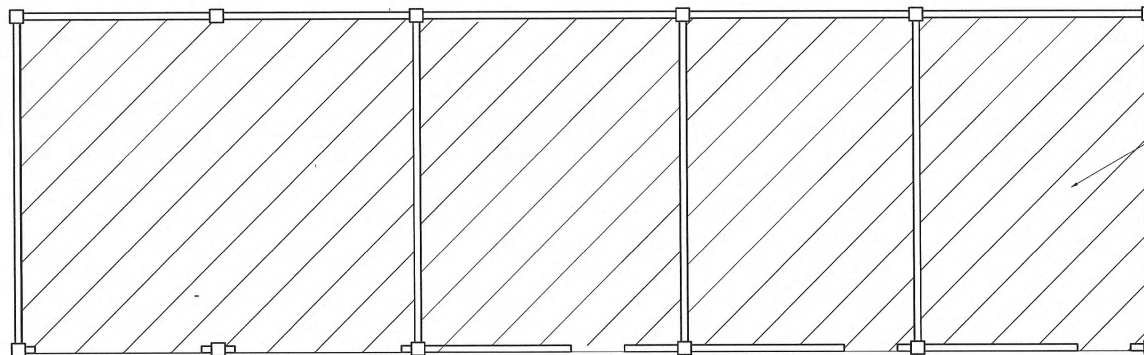
NOTE: USE ALUMINUM FRAMED WITH 1/2" THK. TINTED GLASS WINDOW & 6MM ALUMINUM-STEEL CROSS BRACING



- W 1 ALUMINUM CASEMENT WDO REQUIREMENTS 5 SETS
- W 2 ALUMINUM CASEMENT WDO REQUIREMENTS 1 SET
- W 3 ALUMINUM CASEMENT WDO REQUIREMENTS 4 SETS
- D 1 OVER ROLLING-UP DOOR REQUIREMENTS 2 SETS
- D 2 WD. PANEL DOOR REQUIREMENTS 3 SETS
- D 3 PVC DOOR REQUIREMENTS 4 SETS

A OFFICE BLDG SCHEDULE OF WINDOW
SCALE(20X30)
SCALE(A3)
30
60

B OFFICE BLDG SCHEDULE OF DOOR
SCALE(20X30)
SCALE(A3)
30
60



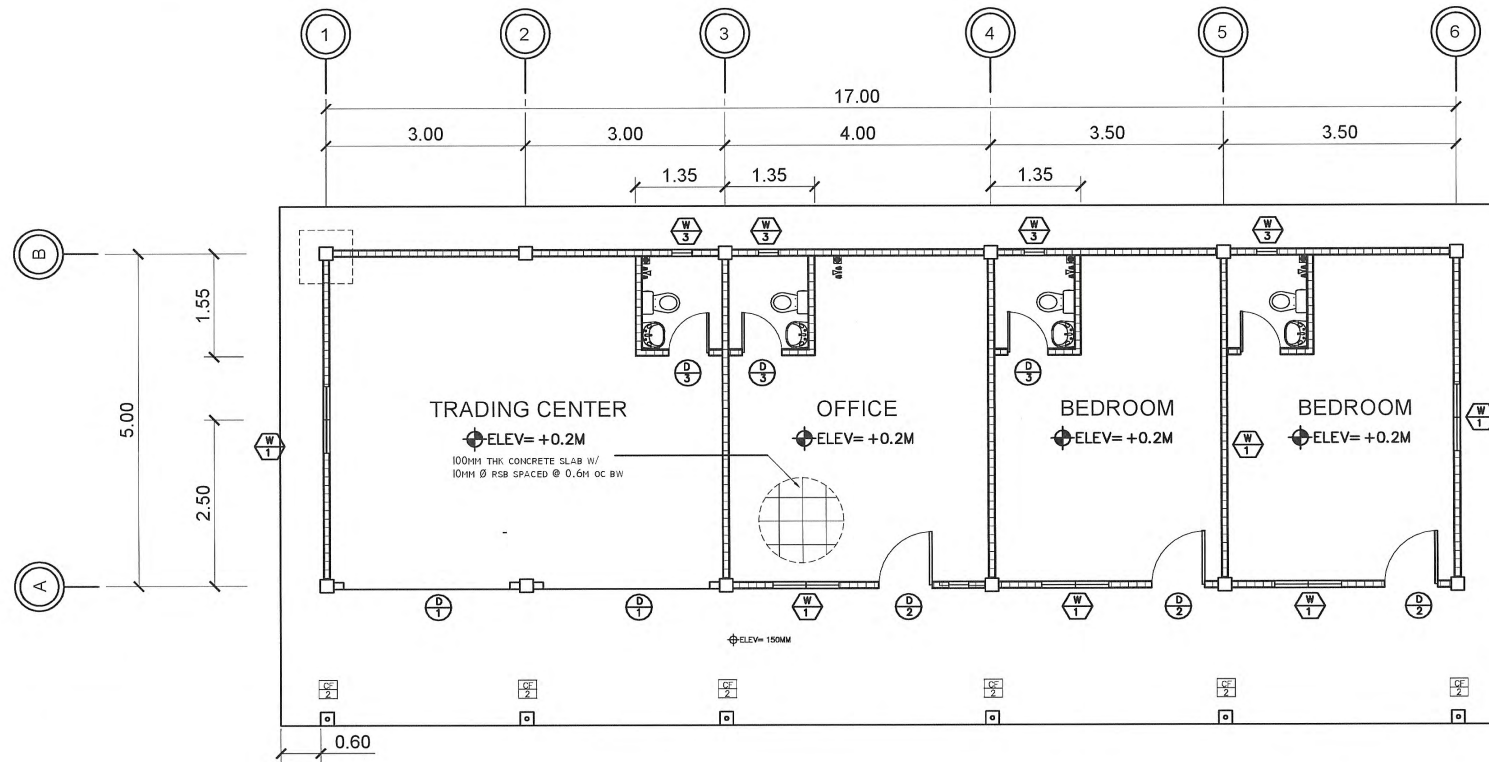
4x8'x4.5MM FIBER CEMENT
10MM DIA. STEEL BAR CEILING HANGERS spaced @1.20 M O.C.
1.5X1.5X1/8" ANGLE BAR CEILING JOISTS spaced @0.60 M o.c. on both ways

C OFFICE BLDG REFLECTED CEILING PLAN
SCALE(20X30)
SCALE(A3)
NTS
NTS

<p>OWNER</p> <p>PHILIPPINE FIBER INDUSTRY DEVELOPMENT AUTHORITY 3/F DA-PCAF BLDG., DEPARTMENT OF AGRICULTURE ELLIPTICAL ROAD, DILIMAN, QUEZON CITY</p>	<p>PROJECT TITLE/LOCATION</p> <p>CONSTRUCTION OF ABACA TUXY BUYING CENTER BUILDINGS/FACILITIES</p>	<p>SHEET CONTENTS</p> <p>AS SHOWN</p>	<p>DRAWN / PREPARED & DESIGNED BY:</p> <p>ENGR. ROMY ALVIN B. DOMINGO/ENGR. GABRILO D. COCAL</p> <p>LIC # 7679 FDO II / OIC-TAD 3895</p>	<p>REVIEWED</p> <p>ENGR. IRMA R. RODIS</p> <p>ENGINEER II</p>	<p>RECOMMENDING APPROVAL</p> <p>ENGR. MARIETA A. RODRIGUEZ</p> <p>OIC - IPED</p>	<p>APPROVED</p> <p>KENNEDY T. COSTALES</p> <p>EXECUTIVE DIRECTOR III</p>	<p style="border: 1px solid black; border-radius: 50%; padding: 5px;">A4 12</p>
--	--	---------------------------------------	--	---	--	--	---

MUNICIPAL ENGINEER

STRUCTURAL



NOTES:

1. All dimension is in meter, or unless otherwise specified.
2. It shall be the contractor's responsibility to provide adequate shoring and bracing of the structure for all loads that maybe imposed during construction.
3. The contractor shall verify all dimensions before all works is to begin.
4. Subject to actual verification.

OFFICE BLDG
FOUNDATION PLAN
SCALE(20/30)
SCALE(A3)
1:40M
1:80M

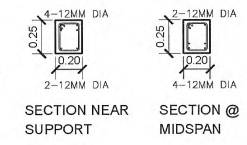
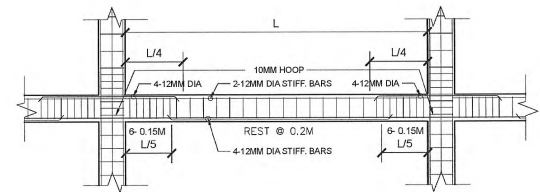
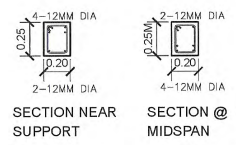
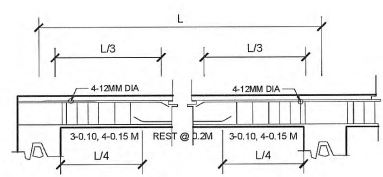
SYMBOLS:

	DOOR SCHEDULE
	WINDOW SCHEDULE
	FLOOR ELEVATION
	100 MM THK CHB PLAIN CEMENT PLASTER PAINTED FINISH
	150 MM THK CHB PLAIN CEMENT PLASTER
	100 MM THK CHB WALL W/ 100 MM THK FOUNDATION
	150 MM THK CHB WALL W/ 100 MM THK FOUNDATION
	200x200 MM CONCRETE COLUMN W/ 150 MM THK FOUNDATION
	750 MM DIA. CL. POST W/ 200x200x200 MM CONCRETE FOUNDATION

OWNER PHILIPPINE FIBER INDUSTRY DEVELOPMENT AUTHORITY 3/F DA-PCAF BLDG., DEPARTMENT OF AGRICULTURE ELLIPTICAL ROAD, DILIMAN, QUEZON CITY	PROJECT TITLE/LOCATION CONSTRUCTION OF ABACA TUYU BUYING CENTER BUILDINGS/FACILITIES	SHEET CONTENTS AS SHOWN	DRAWN / PREPARED & DESIGNED BY: ENGR. ROMY ALVIN B. DOMINGO/ ENGR. ORLANDO D. COCAL LIC # 7679 FDO II/ OIC-TAD 3695	REVIEWED ENGR. RIMAR. RODIS ENGINEER II	RECOMMENDING APPROVAL ENGR. MARIETA A. RODRIGUEZ OIC-IFED	APPROVED KENNEDY T. ROSALES EXECUTIVE DIRECTOR III	S1 12
---	---	----------------------------	---	---	---	--	----------

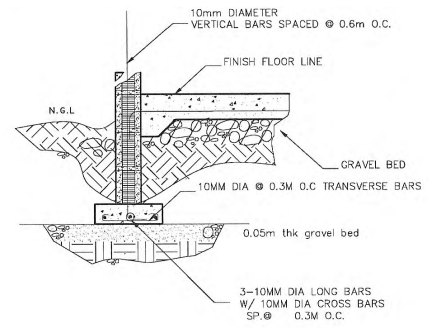
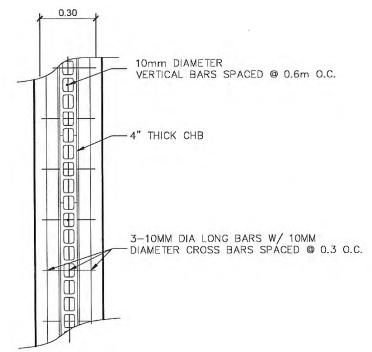
MUNICIPAL ENGINEER

STRUCTURAL

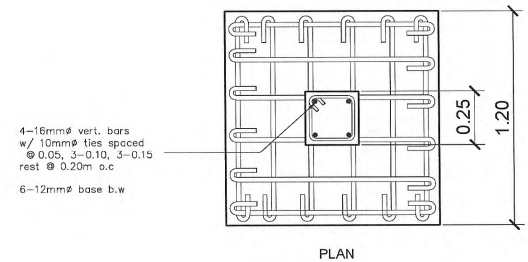
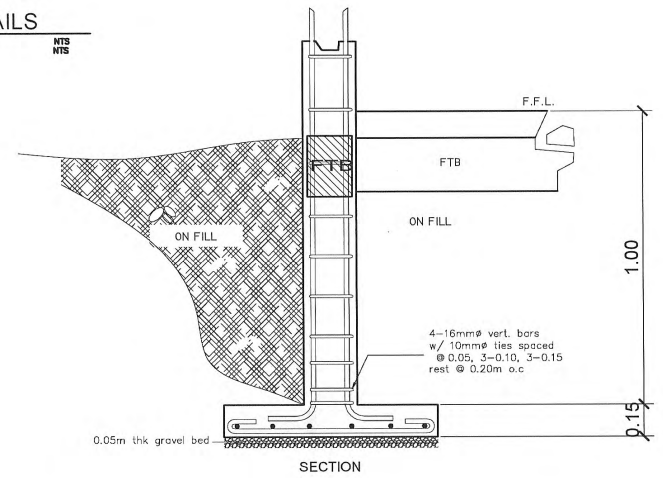


A OFFICE BLDG
ROOF BEAM DETAILS
SCALE(20X/30)
SCALE(A3)
NTS
NTS

B OFFICE BLDG
TIE BEAM DETAILS
SCALE(20X/30)
SCALE(A3)
NTS
NTS



C OFFICE BLDG
WALL FOOTING DETAILS
SCALE(20X/30)
SCALE(A3)
NTS
NTS

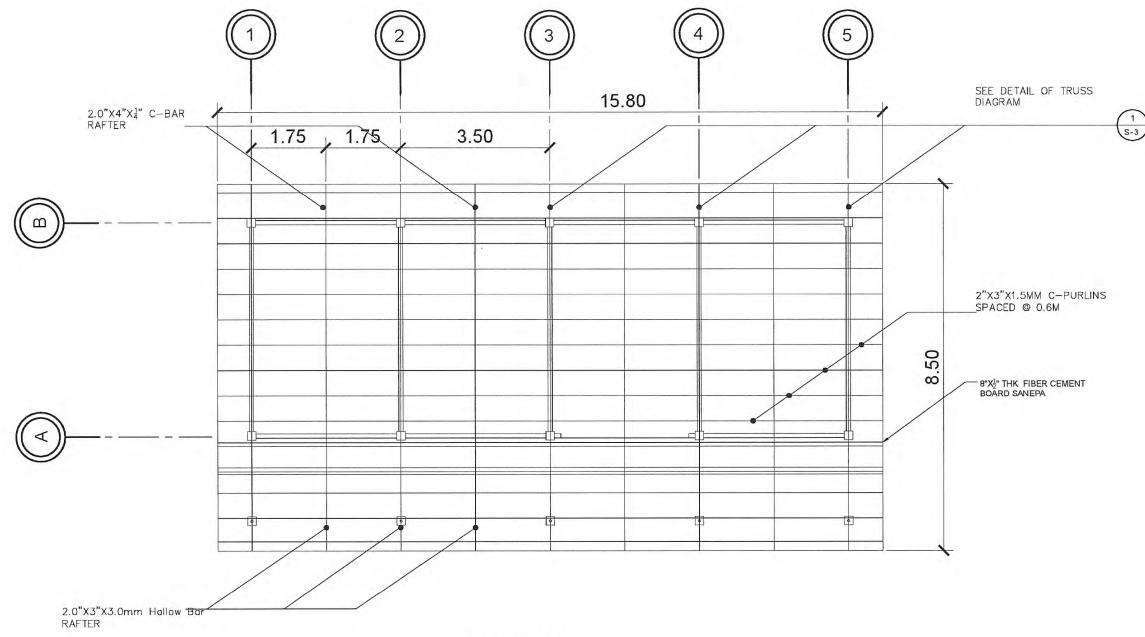


D OFFICE BLDG
COLUMN FOOTING DETAILS
SCALE(20X/30)
SCALE(A3)
NTS
NTS

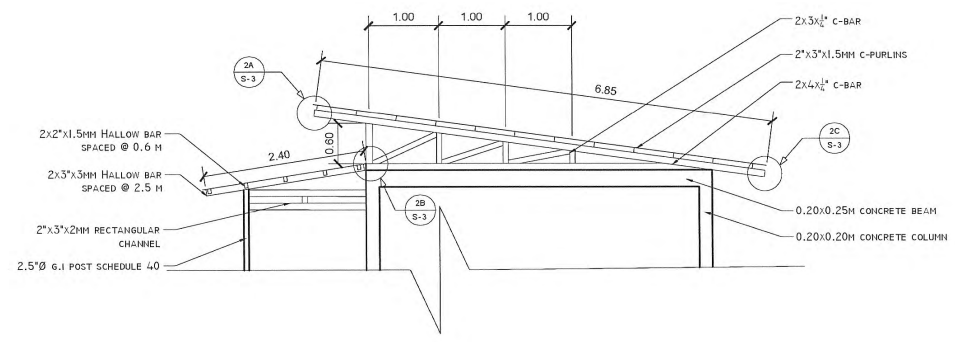
<p>OWNER</p> <p>PHILIPPINE FIBER INDUSTRY DEVELOPMENT AUTHORITY 3/F DA-PCAF BLDG., DEPARTMENT OF AGRICULTURE ELLIPTICAL ROAD, DILIMAN, QUEZON CITY</p>	<p>PROJECT TITLE/LOCATION</p> <p>CONSTRUCTION OF ABACA TUYU BUYING CENTER BUILDINGS/FACILITIES</p>	<p>SHEET CONTENTS</p> <p>AS SHOWN</p>	<p>DRAWN / PREPARED & DESIGNED BY:</p> <p>ENGR. ROMY ALVINO DOMINGO/ ENGR. ORLANDO COCAL</p>	<p>REVIEWED</p> <p>ENGR. JMA R. RODIS</p>	<p>RECOMMENDING APPROVAL</p> <p>ENGR. MARIETA A. RODRIGUEZ</p>	<p>APPROVED</p> <p>KENNEDY T. COSTALES</p>	<p>S2</p> <p>12</p>
		<p>LIC # 7079</p> <p>FDC II / OIC-TAD</p>	<p>ENGINEER II</p>	<p>OIC - IFED</p>	<p>EXECUTIVE DIRECTOR III</p>		
		<p>3895</p>	<p>3895</p>	<p>3895</p>	<p>3895</p>		

MUNICIPAL ENGINEER

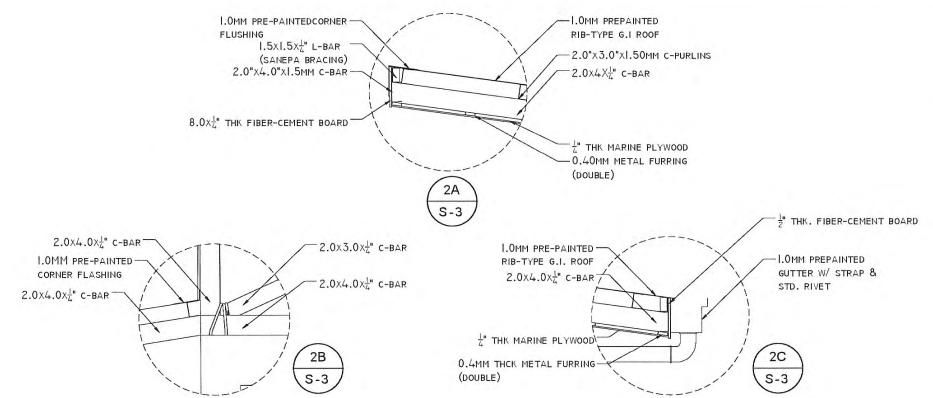
STRUCTURAL



A OFFICE BLDG
ROOF FRAMING PLAN
SCALE(20X30)
SCALE(A3)
250
125



B OFFICE BLDG
TRUSS DIAGRAM DETAIL
SCALE(20X30)
SCALE(A3)
40
80












<p>PHILIPPINE FIBER INDUSTRY DEVELOPMENT AUTHORITY 3/F DA-PCAF BLDG., DEPARTMENT OF AGRICULTURE ELLIPTICAL ROAD, DILIMAN, QUEZON CITY</p>	<p>PROJECT TITLE/LOCATION CONSTRUCTION OF ABACA TUXY BUYING CENTER BUILDINGS/FACILITIES</p>	SHEET CONTENTS	DRAWN / PREPARED & DESIGNED BY:	REVIEWED	RECOMMENDING APPROVAL	APPROVED	<p>S3</p> <p>12</p>
		AS SHOWN	ENGR. ROMY ALVIN B. DOMINGO/ ENGR. ORLANDO D. COCAL	ENGR. IRMA R. RODIS	ENGR. MARIETA A. RODRIGUEZ	KENNEDY COSTALES	
			LIC# 7674 FDO II / CIC-TAD 3895	ENGINEER II	CIC - IFED	EXECUTIVE DIRECTOR III	

1
E-1

ELECTRICAL SPECIFICATION AND LEGEND

1. ALL ELECTRICAL WORKS SHALL BE DONE BY HIGHLY COMPETENT ELECTRICIANS UNDER THE DIRECT SUPERVISION OF A DULY LICENSED MASTER ELECTRICIAN OR ELECTRICAL ENGINEER.
2. ALL ELECTRICAL WORKS SHALL BE DONE WITH STRICT COMPLIANCE TO RULES AND REGULATIONS IMPOSED BY THE CITY AND THE LOCAL POWER COMPANY.
3. ALL SWITCHES AND CONVENIENCE OUTLETS SHALL BE PLACED IN UTILITY BOXES WITH PROPER PLATES AND COVERS.
4. PANELBOARD SHALL BE INSTALLED WITH A CLEARANCE OF 1000 MILLIMETERS FROM A COMBUSTIBLE CEILING.
5. THERE SHALL BE NO SPLICES AND CONNECTIONS INSIDE THE CONDUITS.
6. PROVIDE JUNCTION BOXES AND PULL BOXES WHEREVER NECESSARY.
7. CONDUITS SHALL BE EMBEDDED IN THE FLOOR OR WALL OR CONCEALED IN THE CELING.
8. ALL MATERIALS TO BE USE SHALL BE NEW AND SUITABLE FOR THE LOCATION AND PURPOSE.

LEGEND :

-  9W PINLIGHT
-  15 W PINLIGHT
-  DUPLEX CONVENIENCE OUTLET
-  PANELBOARD
-  CIRCUIT BREAKER
-  2-GANG SWITCH
-  CIRCUIT HOMERUN
-  CIRCUIT RUN
-  FIRE ALARM BELL & SWITCH

REPUBLIC OF THE PHILIPPINES
OFFICE OF THE BUILDING OFFICIAL

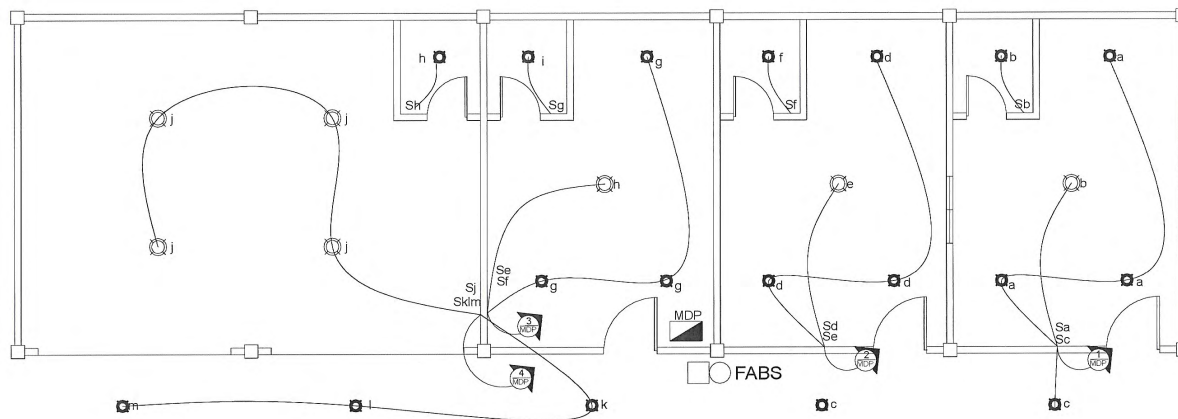
MUNICIPAL ENGINEER

ELECTRICAL

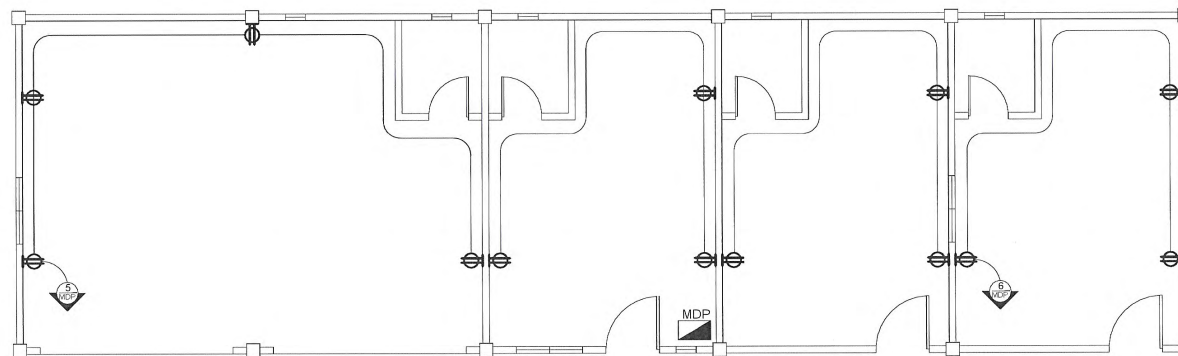
<p>OWNER PHILIPPINE FIBER INDUSTRY DEVELOPMENT AUTHORITY 3/F DA-PCAF BLDG., DEPARTMENT OF AGRICULTURE ELLIPTICAL ROAD, DILIMAN, QUEZON CITY</p>	<p>PROJECT TITLE/LOCATION CONSTRUCTION OF ABACA TUXY BUYING CENTER BUILDINGS/FACILITIES</p>	<p>SHEET CONTENTS AS SHOWN</p>	<p>DRAWN / PREPARED & DESIGNED BY: ENGR. ROMY ALVIN D. DOMINGO/ ENGR. ORENDO D. COCAL LIC# 7474 FDO II / OIC-TAD 3695</p>	<p>REVIEWED ENGR. IRMA R. RODIS ENGINEER II</p>	<p>RECOMMENDING APPROVAL ENGR. MARIETA A. RODRIGUEZ OIC - IFED</p>	<p>APPROVED KENNEDY T. COSTALES EXECUTIVE DIRECTOR III</p>	<p>E1 12</p>
---	---	------------------------------------	---	---	--	--	------------------

MUNICIPAL ENGINEER


ELECTRICAL



A OFFICE BLDG
LIGHTING OUTLET LAYOUT
SCALE(20X30)
SCALE(A3) 50
100



B OFFICE BLDG
CONVENIENCE OUTLET LAYOUT
SCALE(20X30)
SCALE(A3) 50
100

OWNER  PHILIPPINE FIBER INDUSTRY DEVELOPMENT AUTHORITY 3/F DA-PCAF BLDG., DEPARTMENT OF AGRICULTURE ELLIPTICAL ROAD, DILIMAN, QUEZON CITY	PROJECT TITLE/LOCATION CONSTRUCTION OF ABACA TUYU BUYING CENTER BUILDINGS/FACILITIES	SHEET CONTENTS AS SHOWN	DRAWN / PREPARED & DESIGNED BY: ENGR. ROMY ALVINO D. DOMINGO/ ENGR. ORLANDO D. COCAL LIC. # 7679 FDO II/OIC-TAD	REVIEWED ENGR. IRMA R. RODIS ENGINEER II	RECOMMENDING OFFICIAL ENGR. MARIETA A. RODRIGUEZ	APPROVED KENNEDY T. COSTALES EXECUTIVE DIRECTOR III	E2 12

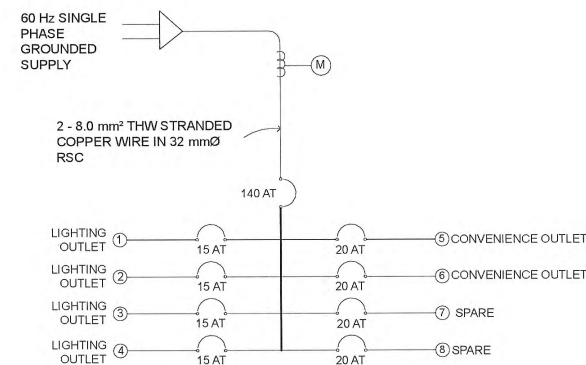
MUNICIPAL ENGINEER

ELECTRICAL

LOAD SCHEDULE

TYPE OF SERVICE: 230V, 3 WIRES 60HZ SINGLE PHASE			FEEDER CONDUCTOR 2-8.0 mm ² & 1- 5.5 mm ² THW Stranded Wire in 32 mm \varnothing RSC							
CIRCUIT NUMBER	DESCRIPTION OF LOAD	VA LOAD	CURRENT	CIRCUIT BREAKER			CONDUCTOR		CONDUIT	
				POLE	FRAME	TRIP	SIZE	TYPE	DIAMETER	TYPE
1	6 X 100W LIGHT	600	2.60	2	50	15 A	2 - 2.0 mm ² & 1 - 2.0 mm ² (G)	THHN	13 mm	uPVC
2	6 X 100W LIGHT	600	2.60	2	50	15 A	2 - 2.0 mm ² & 1 - 2.0 mm ² (G)	THHN	13 mm	uPVC
3	6 X 100W LIGHT	600	2.60	2	50	15 A	2 - 2.0 mm ² & 1 - 2.0 mm ² (G)	THHN	13 mm	uPVC
4	7 X 100W LIGHT	700	3.04	2	50	15 A	2 - 2.0 mm ² & 1 - 2.0 mm ² (G)	THHN	13 mm	uPVC
5	2-7 X 180W CONVENIENCE OUTLET	2,520	10.96	2	50	20 A	2 - 3.5 mm ² & 1 - 3.5 mm ² (G)	THHN	20 mm	uPVC
6	2-6 X 180W CONVENIENCE OUTLET	2,160	9.39	2	50	20 A	2 - 3.5 mm ² & 1 - 3.5 mm ² (G)	THHN	20 mm	uPVC
7	2-8 X 180W CONVENIENCE OUTLET (spare)	2,880	12.52							
8	2-8 X 180W CONVENIENCE OUTLET (spare)	2,880	12.52							
TOTAL PHASE CURRENT		12840	56.26							

1 LINE DIAGRAM E-4



COMPUTATION






$I_t = 12.94 \text{ kVA} / (230 \text{ V}) = 56.26 \text{ A} \times 80\% \text{ DEMAND FACTOR} = 45 \text{ A}$
 USE 2 - 8.0 mm² & 1 - 5.5 mm² THW STRANDED COPPER WIRE IN 32 mm \varnothing RSC

OWNER  PHILIPPINE FIBER INDUSTRY DEVELOPMENT AUTHORITY 3/F DA-PCAF BLDG., DEPARTMENT OF AGRICULTURE ELLIPTICAL ROAD, DILIMAN, QUEZON CITY	PROJECT TITLE/LOCATION CONSTRUCTION OF ABACA TUYX BUYING CENTER BUILDINGS/FACILITIES	SHEET CONTENTS	DRAWN / PREPARED & DESIGNED BY:	REVIEWED	RECOMMENDING APPROVAL	APPROVED	E3 12
		AS SHOWN	ENGR. ROMY A. D. DOMINGO/ ENGR. ORLANDO D. COCAL LIC# 7474 FDO II / OIC-TAD 2695	ENGR. IRMA R. RODIS ENGINEER II	ENGR. MARIETA A. RODRIGUEZ OIC - IFED	KENNEDY T. COSTALES EXECUTIVE DIRECTOR III	

PLUMBING SPECIFICATIONS

1. ALL PLUMBING INSTALLATIONS HEREIN SHALL BE DONE IN ACCORDANCE WITH THE LATEST RULES AND REGULATIONS OF THE SANITARY CODE OF THE PHILIPPINES.
2. ALL PLUMBING WORKS HEREIN SHALL BE DONE UNDER THE DIRECT SUPERVISION OF A LICENSED PLUMBING ENGINEER OR A MASTER PLUMBER.
3. ALL PLUMBING PIPES AND FITTINGS, FOR WATER AND SEWER LINES, SHALL BE PVC AND SHALL BE PROPERLY SEALED WITH SOLVENT CEMENT.
4. PIPE SIZES FOR WATER LINES SHALL BE: \varnothing 12.5 MM ($\frac{1}{2}$ ") FOR DISTRIBUTION LINES. USE HEAVY DUTY GATE VALVES, FAUCETS, BIDETS, AND ALL PLUMBING FIXTURES AND ACCESSORIES.
5. PIPE SIZES FOR SEWER LINES SHALL BE: \varnothing 75 MM (3") FOR SOIL STACK; \varnothing 50 MM (2") FOR SOIL BRANCHES. USE PVC PIPES AND FITTINGS, NELTEX OR ITS APPROVED EQUIVALENT.

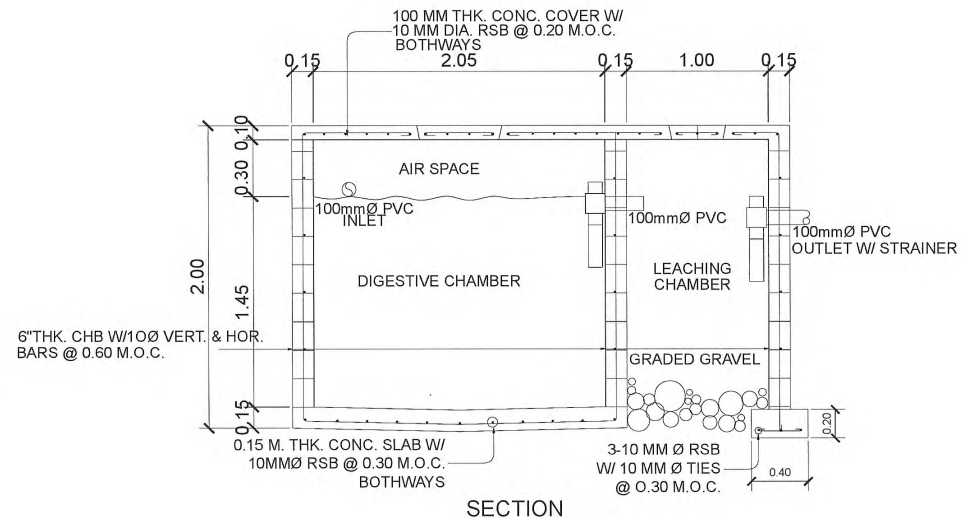
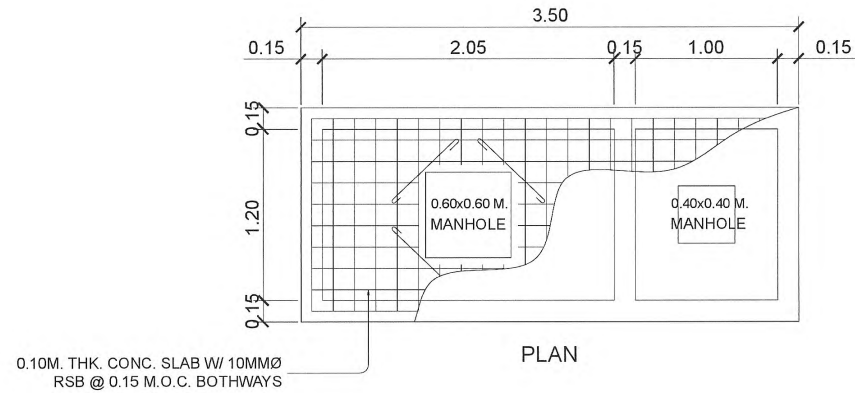
LEGEND :

WC	WATER CLOSET
FD	FLOOR DRAIN
F	FAUCET
VTR	VENT THROUGH ROOF
C.O.	WALL CLEAN OUT
LAV	LAVATORY
SV	SEPTIC VAULT
	SANITARY LINE
	FRESH WATER LINE
	GATE VALVE
	WATER METER
	REDUCER

REPUBLIC OF THE PHILIPPINES
OFFICE OF THE BUILDING OFFICIAL

MUNICIPAL ENGINEER

PLUMBING



OFFICE BLDG
DETAIL OF SEPTIC TANK

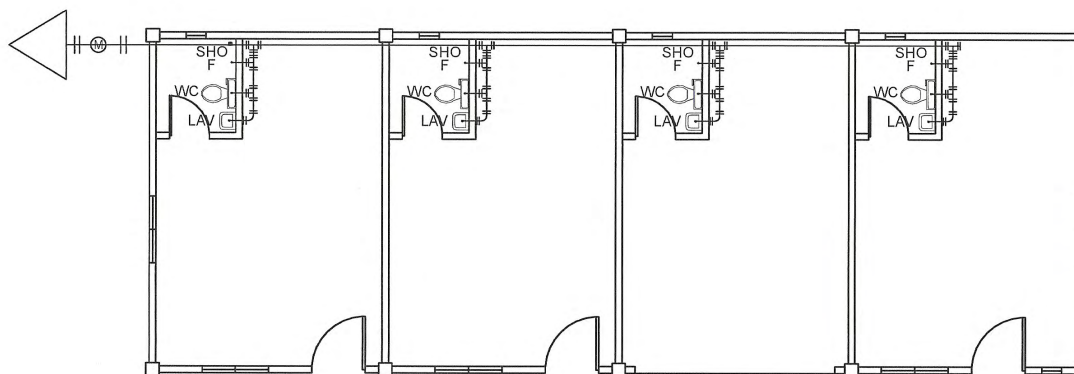
SCALE: (20/30)
SCALE: (AS)

100

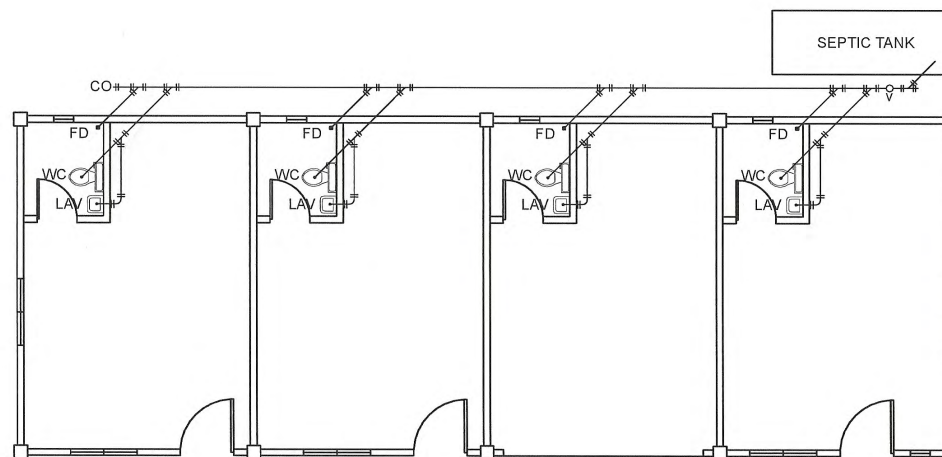
OWNER	PROJECT TITLE/LOCATION	SHEET CONTENTS	DRAWN / PREPARED & DESIGNED BY:	REVIEWED	RECOMMENDING APPROVAL	APPROVED		
 PHILIPPINE FIBER INDUSTRY DEVELOPMENT AUTHORITY 3/F DA-PCAF BLDG., DEPARTMENT OF AGRICULTURE ELLIPTICAL ROAD, DILIMAN, QUEZON CITY	CONSTRUCTION OF ABACA TUXY BUYING CENTER BUILDINGS/FACILITIES	AS SHOWN	ENGR. ROMAN ALVIN D. DOMINGO/ ENGR. ORLANDO D. COCAL	ENGR. IRMA R. RODIS	ENGR. MARIETA A. RODRIGUEZ	KENNEDY J. COSTALES	P1	
			LIC. # 7674	FDO II / OIC-TAD	ENGINEER II	OIC - IFED	EXECUTIVE DIRECTOR III	12

MUNICIPAL ENGINEER


PLUMBING



A OFFICE BLDG
WATERLINE LAYOUT
SCALE(20X30)
SCALE(A3) 50
100



A OFFICE BLDG
SEWERLINE LAYOUT
SCALE(20X30)
SCALE(A3) 50
100


<p>OWNER</p>  <p>PHILIPPINE FIBER INDUSTRY DEVELOPMENT AUTHORITY 3/F DA-PCAF BLDG., DEPARTMENT OF AGRICULTURE ELLIPTICAL ROAD, DILIMAN, QUEZON CITY</p>	<p>PROJECT TITLE/LOCATION</p> <p>CONSTRUCTION OF ABACA TUXY BUYING CENTER BUILDINGS/FACILITIES</p>	<p>SHEET CONTENTS</p> <p>AS SHOWN</p>	<p>DRAWN / PREPARED & DESIGNED BY:</p> <p>ENGR. ROMALVIN D. DOMINGO/ ENGR. ORLANDO D. COCAL</p> <p>LIC. A 7679 FDO II / OIC-TAD 3895</p>	<p>REVIEWED</p> <p>ENGR. RMA R. RODIS</p> <p>ENGINEER II</p>	<p>RECOMMENDING APPROVAL</p> <p>ENGR. MARIETA A. RODRIGUEZ</p> <p>OIC - IFED</p>	<p>APPROVED</p> <p>KENNEDY T. COSTALES</p> <p>EXECUTIVE DIRECTOR III</p>	<p>P1 12</p>
--	--	---------------------------------------	--	--	--	--	------------------

MUNICIPAL ENGINEER

ARCHITECTURAL

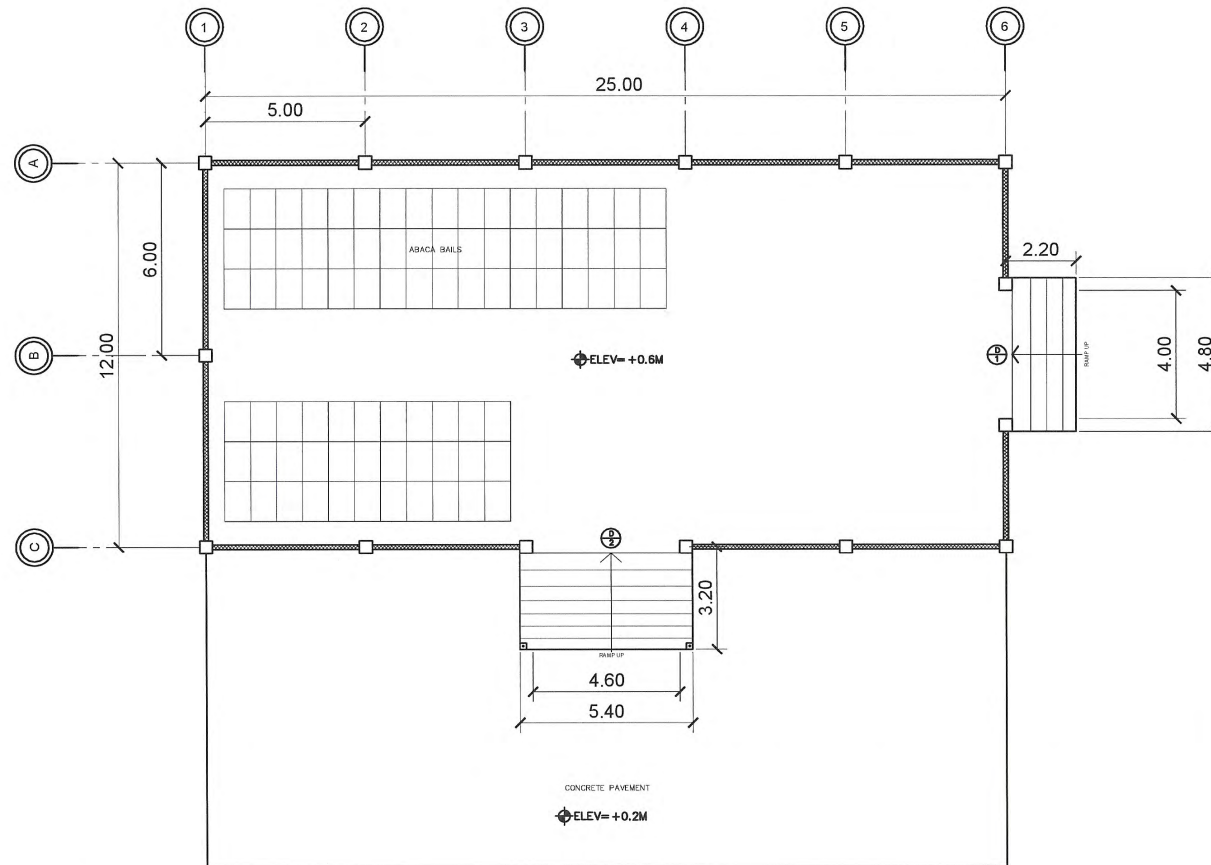


**WAREHOUSE
PERSPECTIVE**
SCALE(20X30)
SCALE(A3)
1:40M
1:80M

<p>OWNER</p>  <p>PHILIPPINE FIBER INDUSTRY DEVELOPMENT AUTHORITY 3/F DA-PCAF BLDG., DEPARTMENT OF AGRICULTURE ELLIPTICAL ROAD, DILIMAN, QUEZON CITY</p>	<p>PROJECT TITLE/LOCATION</p> <p>CONSTRUCTION OF ABACA TUXY BUYING CENTER BUILDINGS/FACILITIES</p>	<p>SHEET CONTENTS</p> <p>AS SHOWN</p>	<p>DRAWN / PREPARED & DESIGNED BY:</p> <p>ENGR. ROMY A. DOMINGO / ENGR. ORLANDO D. COCAL</p> <p>Lic. # 7674 FDO II / OIC-TAD 369C</p>	<p>REVIEWED</p> <p>ENGR. IRMA R. RODIS</p> <p>ENGINEER II</p>	<p>RECOMMENDING APPROVAL</p> <p>ENGR. MARIETA A. RODRIGUEZ</p> <p>OIC - IFED</p>	<p>APPROVED</p> <p>KENNEDY T. SOSTALES</p> <p>EXECUTIVE DIRECTOR III</p>	<p>A1 14</p>
---	--	---------------------------------------	---	---	--	--	------------------

MUNICIPAL ENGINEER

ARCHITECTURAL



NOTES:

1. All dimension is in meter, or unless otherwise specified.
2. It shall be the contractor's responsibility to provide adequate shoring and bracing of the structure for all loads that maybe imposed during construction.
3. The contractor shall verify all dimensions before all works is to begin.
4. Subject to actual verification.

WAREHOUSE FLOOR PLAN
SCALE (OVERALL) 1:300
SCALE (A3) 1:600

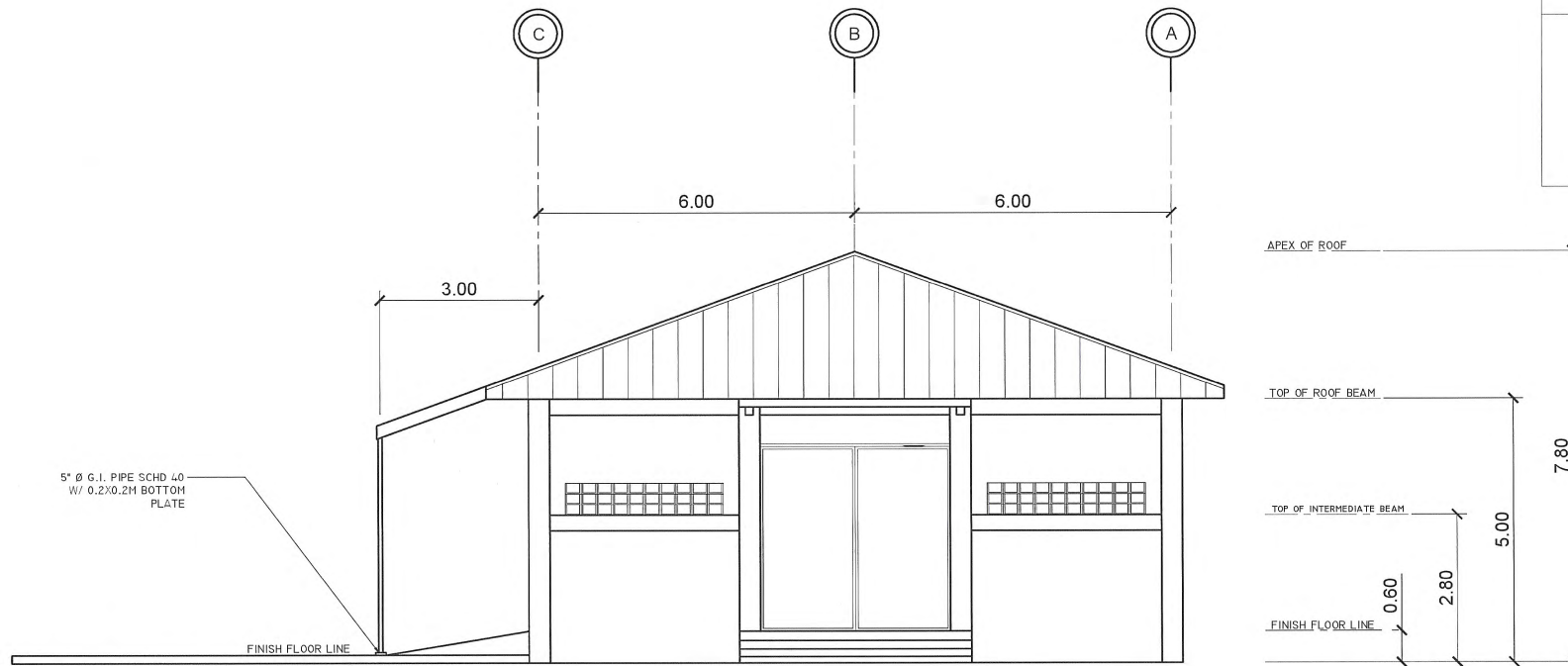
SYMBOLS:

	DOOR SCHEDULE
	FLOOR ELEVATION
	150 MM THK CHB PLAIN CEMENT PLASTER
	300x300 MM CONCRETE COLUMN W/ 300 MM THK FOUNDATION

<p>PHILIPPINE FIBER INDUSTRY DEVELOPMENT AUTHORITY 3/F DA-PCAF BLDG., DEPARTMENT OF AGRICULTURE ELLIPTICAL ROAD, DILIMAN, QUEZON CITY</p>	<p>PROJECT TITLE/LOCATION CONSTRUCTION OF ABACA TUYX BUYING CENTER BUILDINGS/FACILITIES</p>	<p>SHEET CONTENTS AS SHOWN</p>	<p>DRAWN / PREPARED & DESIGNED BY: ENGR. ROMY ALVINO D. DOMINGO / ENGR. ORLANDO D. COCAL LIC.# 7274 FDO II / OIC-TAD 3896</p>	<p>REVIEWED ENGR. IRMA R. RODIS ENGINEER II</p>	<p>RECOMMENDING APPROVAL ENGR. MARIETA A. RODRIGUEZ OIC - IFED</p>	<p>APPROVED KENNEDY T. COSTALES EXECUTIVE DIRECTOR III</p>	<p>A2 14</p>
		<p>OWNER: PHILIPPINE FIBER INDUSTRY DEVELOPMENT AUTHORITY PROJECT TITLE/LOCATION: CONSTRUCTION OF ABACA TUYX BUYING CENTER BUILDINGS/FACILITIES SHEET CONTENTS: AS SHOWN DRAWN / PREPARED & DESIGNED BY: ENGR. ROMY ALVINO D. DOMINGO / ENGR. ORLANDO D. COCAL REVIEWED: ENGR. IRMA R. RODIS RECOMMENDING APPROVAL: ENGR. MARIETA A. RODRIGUEZ APPROVED: KENNEDY T. COSTALES</p>					

MUNICIPAL ENGINEER

ARCHITECTURAL



**WAREHOUSE
RIGHT SIDE ELEVATION**
SCALE(A3)
SCALE(A3)
1:40M
1:60M

<p>OWNER PHILIPPINE FIBER INDUSTRY DEVELOPMENT AUTHORITY 3/F DA-PCAF BLDG., DEPARTMENT OF AGRICULTURE ELLIPTICAL ROAD, DILIMAN, QUEZON CITY</p>	<p>PROJECT TITLE/LOCATION CONSTRUCTION OF ABACA TUXY BUYING CENTER BUILDINGS/FACILITIES</p>	<p>SHEET CONTENTS AS SHOWN</p>	<p>DRAWN / PREPARED & DESIGNED BY: ENGR. ROMY A. D. DOMINGO / ENGR. ORLANDO D. COCAL LIC# 7674 FDO II / OIC-TAD 3895</p>	<p>REVIEWED ENGR. IRMA R. RODIS ENGINEER II</p>	<p>RECOMMENDING APPROVAL ENGR. MARIETA A. RODRIGUEZ OIC - IFED</p>	<p>APPROVED KENNEDY T. COSTALES EXECUTIVE DIRECTOR III</p>	<p>A3 14</p>
--	--	------------------------------------	--	---	--	--	------------------

MUNICIPAL ENGINEER

ARCHITECTURAL



1x3m RIBBED SKYLIGHTS PANEL

3x10 (30pcs) CONCRETE LOUVERS



APEX OF ROOF

TOP OF ROOF BEAM

TOP OF INTERMEDIATE BEAM

FINISH FLOOR LINE

7.80

5.00

2.80


0.60

A
↑ 1/4
↓ 1/4

**WAREHOUSE
FRONT ELEVATION**

SCALE (ELEVATION)
SCALE (A3)

1:40M
1:80M

<p>OWNER</p>  <p>PHILIPPINE FIBER INDUSTRY DEVELOPMENT AUTHORITY 3RD DA-PCAF BLDG., DEPARTMENT OF AGRICULTURE ELLIPTICAL ROAD, DILIMAN, QUEZON CITY</p>	<p>PROJECT TITLE/LOCATION</p> <p>CONSTRUCTION OF ABACA TUXY BUYING CENTER BUILDINGS/FACILITIES</p>	<p>SHEET CONTENTS</p> <p>AS SHOWN</p>	<p>DRAWN / PREPARED & DESIGNED BY:</p> <p>ENGR. ROMY ALVIN D. DOMINGO / ENGR. ORLANDO D. COCAL</p> <p>LIC. # 7674 FDO II / OIC-TAD 3895</p>	<p>REVIEWED</p> <p>ENGR. IRMA R. RODIS</p> <p>ENGINEER II</p>	<p>RECOMMENDING APPROVAL</p> <p>ENGR. MARIETA A. RODRIGUEZ</p> <p>OIC - IFED</p>	<p>APPROVED</p> <p>KENNEDY T. COSTALES</p> <p>EXECUTIVE DIRECTOR III</p>	<p>A4 14</p>
---	--	---------------------------------------	---	---	--	--	------------------

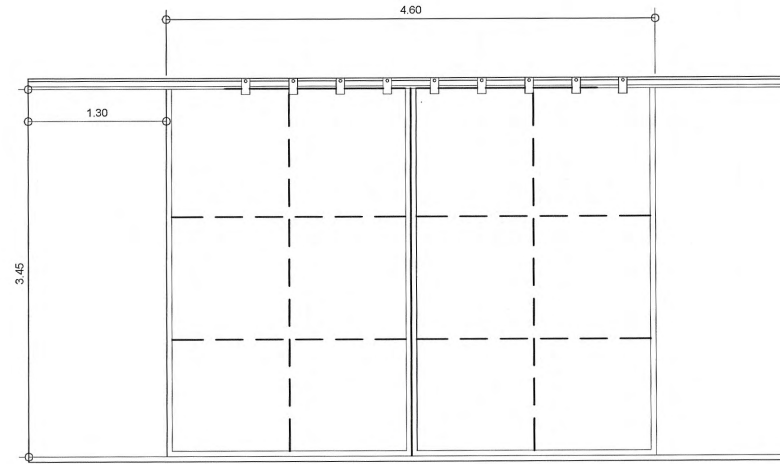
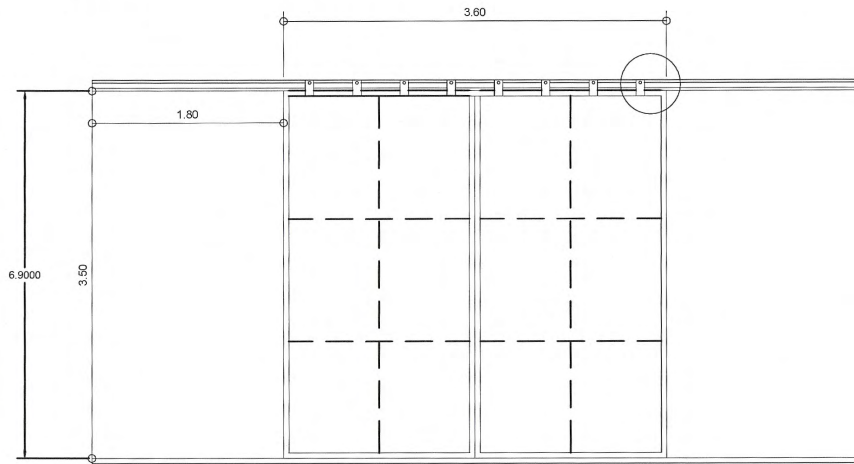
NOTES:

FRAME : 2.0"Ø G.I. PIPE
 COVER : GA#24 G.I. SHEET

REPUBLIC OF THE PHILIPPINES
 OFFICE OF THE BUILDING OFFICIAL

MUNICIPAL ENGINEER

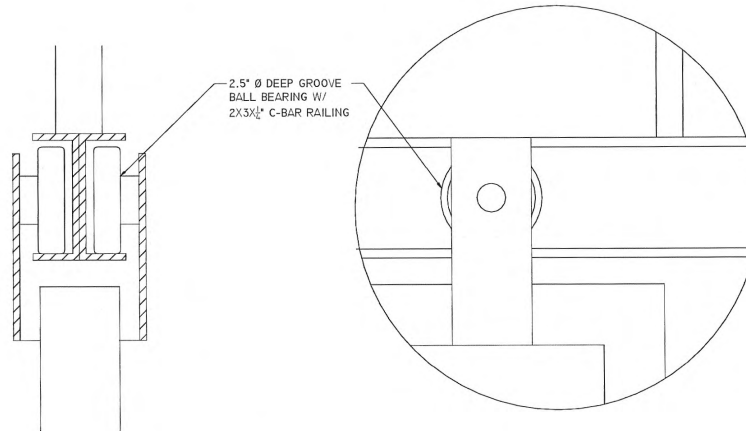
ARCHITECTURAL










Ⓛ 1 SLIDING DOOR REQUIREMENTS 1 SET

Ⓛ 2 SLIDING DOOR REQUIREMENTS 1 SET

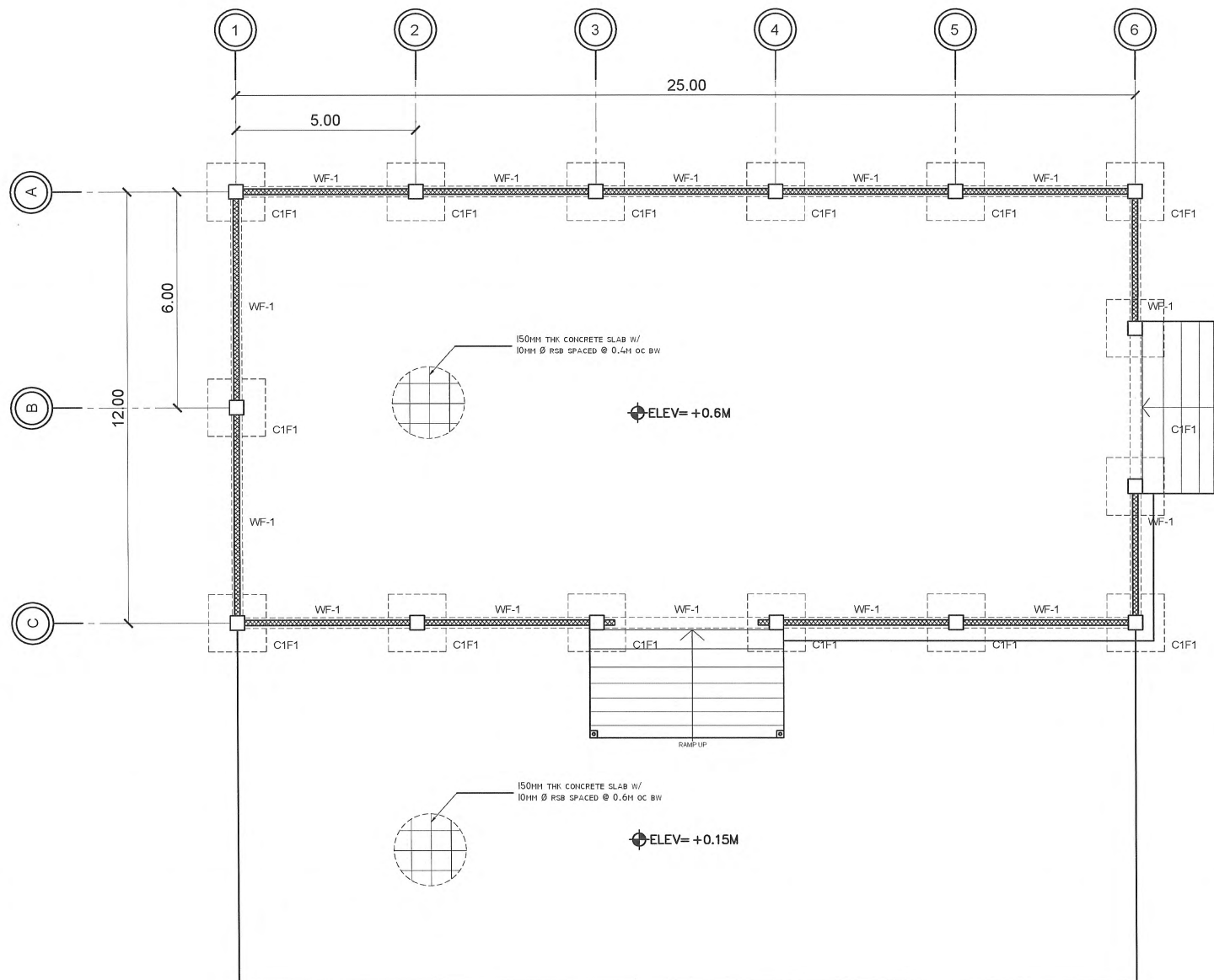
Ⓛ B WAREHOUSE SCHEDULE OF DOOR
 SCALE(20x30)
 SCALE(A5)
 25
 30



OWNER  PHILIPPINE FIBER INDUSTRY DEVELOPMENT AUTHORITY 3/F DA-PCAF BLDG., DEPARTMENT OF AGRICULTURE ELLIPTICAL ROAD, DILIMAN, QUEZON CITY	PROJECT TITLE/LOCATION CONSTRUCTION OF ABACA TUXY BUYING CENTER BUILDINGS/FACILITIES	SHEET CONTENTS AS SHOWN	DRAWN / PREPARED & DESIGNED BY: ENGR. ROMY ALVIN D. DOMINGO/ ENGR. ORLANDO D. COCAL L1C# 7479 FDO II / OIC-TAD 5032	REVIEWED  ENGR. IRMA R. RODIS ENGINEER II	RECOMMENDING APPROVAL  ENGR. MARIETA A. RODRIGUEZ OIC - IFED	APPROVED  KENNEDY T. COSTALES EXECUTIVE DIRECTOR III	A5 14
		SHEET CONTENTS AS SHOWN	DRAWN / PREPARED & DESIGNED BY: ENGR. ROMY ALVIN D. DOMINGO/ ENGR. ORLANDO D. COCAL L1C# 7479 FDO II / OIC-TAD 5032	REVIEWED  ENGR. IRMA R. RODIS ENGINEER II	RECOMMENDING APPROVAL  ENGR. MARIETA A. RODRIGUEZ OIC - IFED	APPROVED  KENNEDY T. COSTALES EXECUTIVE DIRECTOR III	A5 14

MUNICIPAL ENGINEER

STRUCTURAL



S WAREHOUSE FOUNDATION PLAN
SCALE(A3) 1:400
SCALE(A2) 1:800

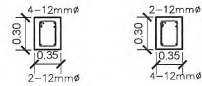
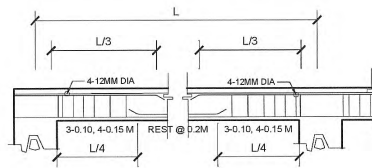
SYMBOLS:

	DOOR SCHEDULE
	FLOOR ELEVATION
	150 MM THK CHB PLAIN CEMENT PLASTER
	200x200 MM CONCRETE COLUMN W/ 300 MM THK FOUNDATION

<p>PHILIPPINE FIBER INDUSTRY DEVELOPMENT AUTHORITY 3/F DA-PCAF BLDG., DEPARTMENT OF AGRICULTURE ELLIPTICAL ROAD, DILIMAN, QUEZON CITY</p>	<p>PROJECT TITLE/LOCATION CONSTRUCTION OF ABACA TUXY BUYING CENTER BUILDINGS/FACILITIES</p>	<p>SHEET CONTENTS AS SHOWN</p>	<p>DRAWN / PREPARED & DESIGNED BY: ENGR. ROMY ALVIN D. DOMINGO / ENGR. ORLANDO D. COCAL LIC. # 7474 FDO II / OIC-TAD 3895</p>	<p>REVIEWED ENGR. IRMA R. RODIS ENGINEER II</p>	<p>RECOMMENDED APPROVAL ENGR. MARIETA A. RODRIGUEZ OIC - IFED</p>	<p>APPROVED KENNEDY T. COSTALES EXECUTIVE DIRECTOR III</p>	<p>S1 14</p>
		<p>OWNER</p>	<p>PROJECT TITLE/LOCATION</p>	<p>SHEET CONTENTS</p>	<p>DRAWN / PREPARED & DESIGNED BY:</p>	<p>REVIEWED</p>	<p>RECOMMENDED APPROVAL</p>

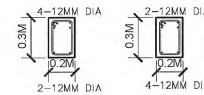
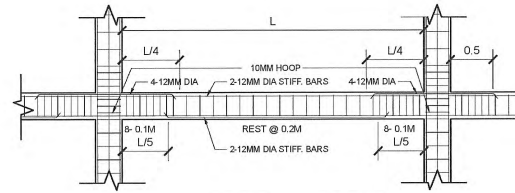
MUNICIPAL ENGINEER

STRUCTURAL



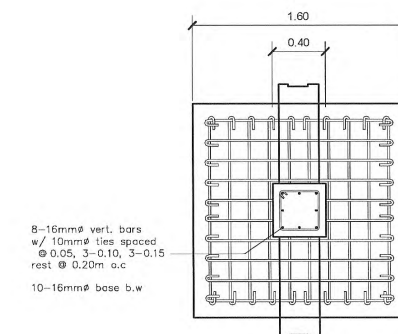
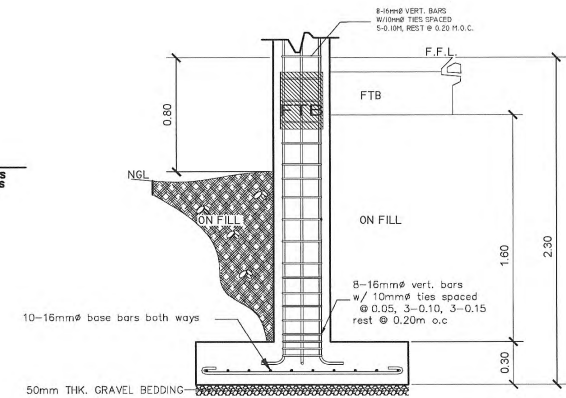
SECTION NEAR SUPPORT SECTION @ MIDSPAN

A WAREHOUSE ROOF BEAM DETAILS
SCALE(20X30)
SCALE(A3)
NTS
NTS

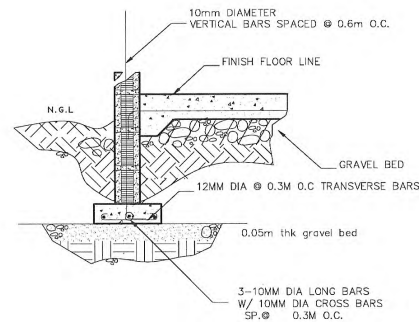
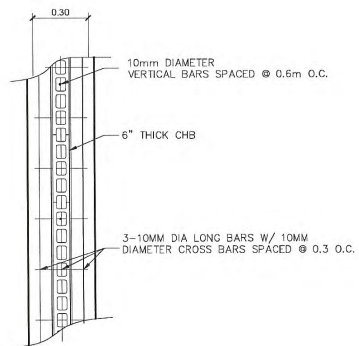


SECTION NEAR SUPPORT SECTION @ MIDSPAN

B WAREHOUSE TIE BEAM DETAILS
SCALE(20X30)
SCALE(A3)
NTS
NTS



A WAREHOUSE COLUMN FOOTING DETAIL
SCALE(20X30)
SCALE(A3)
40
20

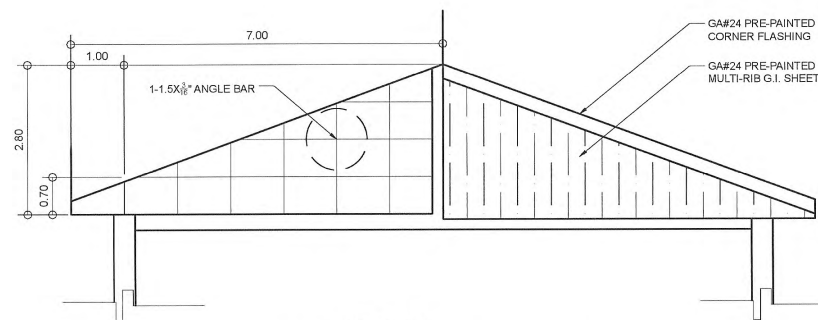


A WAREHOUSE WALL FOOTING DETAIL
SCALE(20X30)
SCALE(A3)
NTS
NTS

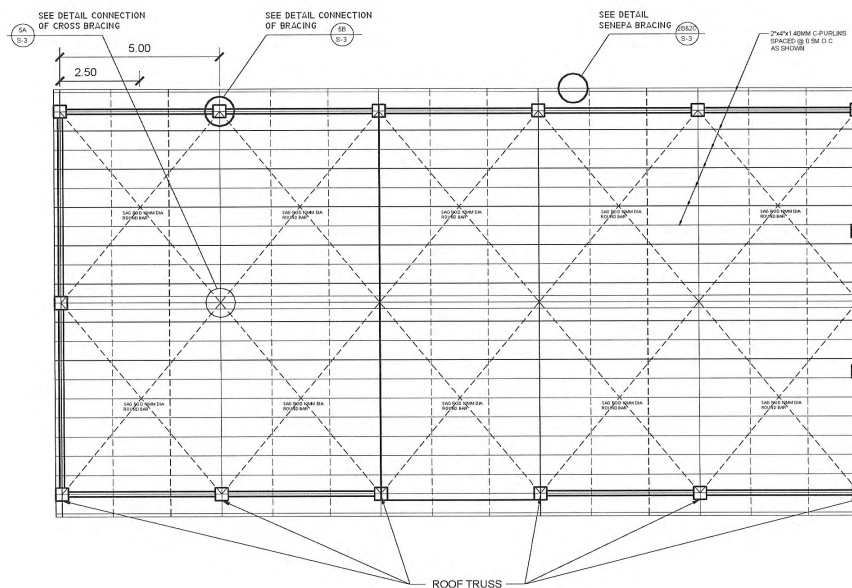
<p>PHILIPPINE FIBER INDUSTRY DEVELOPMENT AUTHORITY 3/F DA-PCAF BLDG., DEPARTMENT OF AGRICULTURE ELLIPTICAL ROAD, DILMAN, QUEZON CITY</p>	<p>PROJECT TITLE/LOCATION CONSTRUCTION OF ABACA TUYU BUYING CENTER BUILDINGS/FACILITIES</p>	<p>SHEET CONTENTS AS SHOWN</p>	<p>DRAWN / PREPARED & DESIGNED BY: ENGR. ROMY ALVARO D. DOMINGO/ ENGR. ORLANDO D. COCAL L.C.# 7674 FDO II/OIC-TAD 389C</p>	<p>RECOMMENDING APPROVAL ENGR. IRMA R. RODIS ENGINEER II</p>	<p>APPROVED ENGR. MARIETA A. RODRIGUEZ OIC - IFED</p>	<p>APPROVED KENNEDY T. COSTALES EXECUTIVE DIRECTOR III</p>	<p>S2 14</p>
		<p>OWNER PHILIPPINE FIBER INDUSTRY DEVELOPMENT AUTHORITY</p>	<p>RECOMMENDING APPROVAL ENGR. MARIETA A. RODRIGUEZ</p>	<p>APPROVED KENNEDY T. COSTALES</p>	<p>APPROVED KENNEDY T. COSTALES</p>	<p>APPROVED KENNEDY T. COSTALES</p>	<p>APPROVED KENNEDY T. COSTALES</p>

MUNICIPAL ENGINEER

STRUCTURAL



**WAREHOUSE
ROOF SIDE FRAMING PLAN**
SCALE(20X30)
SCALE(A3) 80
100

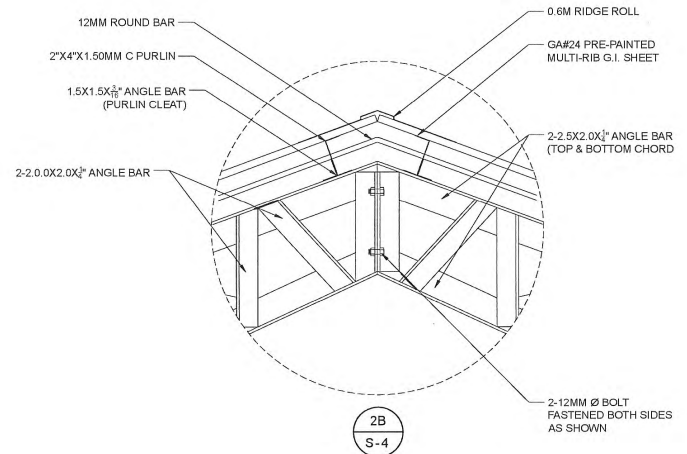
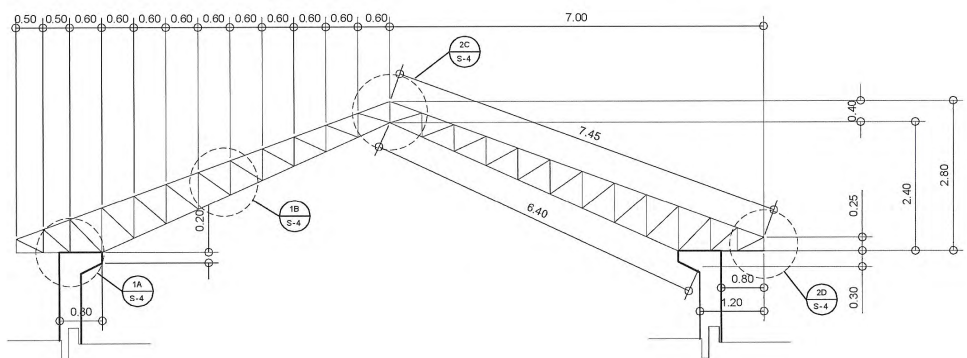


**WAREHOUSE
ROOF FRAMING PLAN**
SCALE(20X30)
SCALE(A3) 80
120

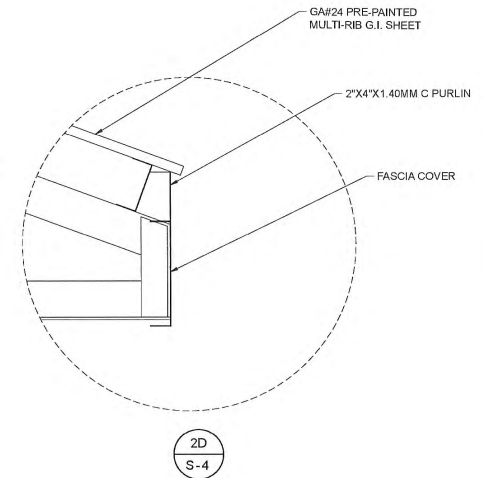
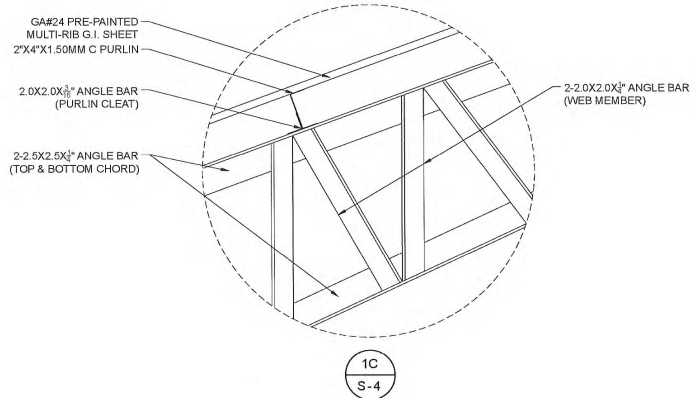
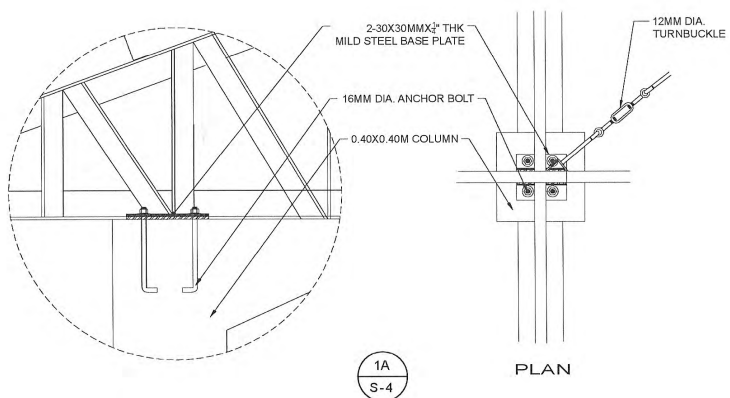
<p>OWNER PHILIPPINE FIBER INDUSTRY DEVELOPMENT AUTHORITY 3/F DA-PCAF BLDG., DEPARTMENT OF AGRICULTURE ELLIPTICAL ROAD, DILIMAN, QUEZON CITY</p>	<p>PROJECT TITLE/LOCATION CONSTRUCTION OF ABACA TUXY BUYING CENTER BUILDINGS/FACILITIES</p>	<p>SHEET CONTENTS AS SHOWN</p>	<p>DRAWN / PREPARED & DESIGNED BY: ENGR. ROMY ALVIN D. DOMINGO / ENGR. OSCAR D. COCAL <i>L.C. # 7474</i> FDO II / OIC-TAD <i>3895</i></p>	<p>REVIEWED ENGR. IRMA R. RODIS ENGINEER II</p>	<p>RECOMMENDING APPROVAL ENGR. MARIETA A. RODRIGUEZ OIC - IFED</p>	<p>APPROVED KENNEDY T. COSTALES EXECUTIVE DIRECTOR III</p>	<p>S3 14</p>
--	--	------------------------------------	---	---	--	--	------------------

MUNICIPAL ENGINEER

STRUCTURAL



WAREHOUSE TRUSS DIAGRAM DETAILS
SCALE: (20x30) 1/4" = 1'-0"
SCALE: (A) 1/4" = 1'-0"



NOTES:

TOP & BOTTOM CHORD: 2-2.5x2.6x¹/₄" ANGLE BAR
WEB MEMBER : 2x2.0x2.0x¹/₄" ANGLE BAR

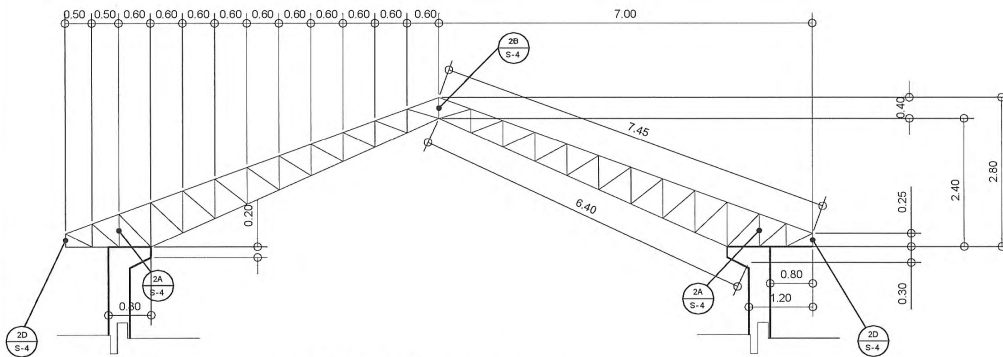
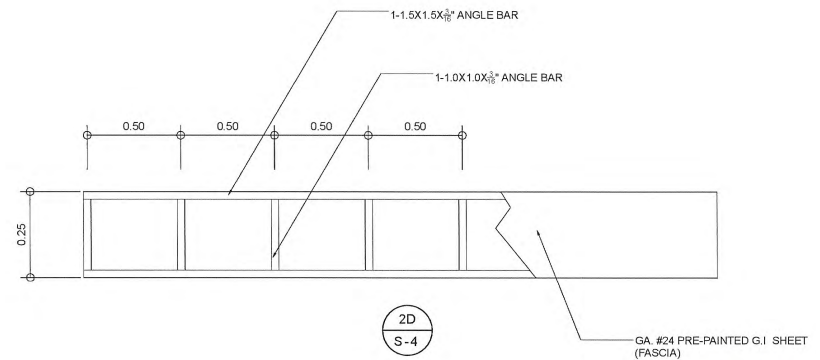
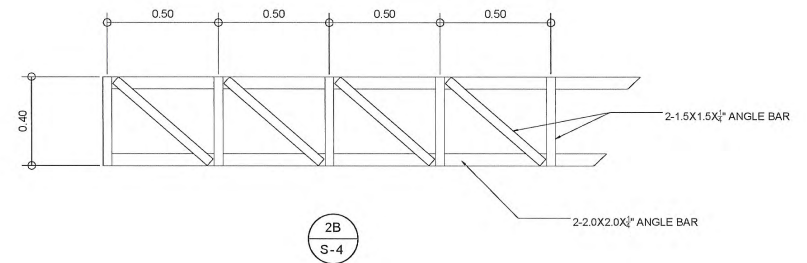
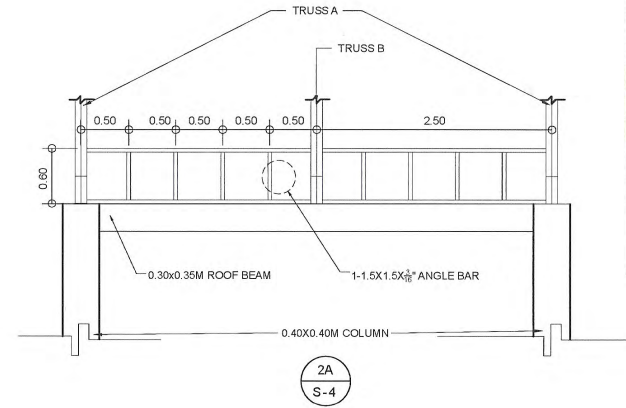
<p>PHILIPPINE FIBER INDUSTRY DEVELOPMENT AUTHORITY 3/F DA PCAF BLDG., DEPARTMENT OF AGRICULTURE ELLIPTICAL ROAD, DILIMAN, QUEZON CITY</p>	<p>PROJECT TITLE/LOCATION CONSTRUCTION OF ABACA TUYU BUYING CENTER BUILDINGS/FACILITIES</p>	SHEET CONTENTS AS SHOWN	DRAWN / PREPARED & DESIGNED BY: ENGR. ROMY ALVIN D. DOMINGO / ENGR. ORLANDO D. COCAL LIC. # 7474 FDO II / OIC-TAD 3895	REVIEWED ENGR. IFMAR R. RODIS ENGINEER II	RECOMMENDING APPROVAL ENGR. MARIETA A. RODRIGUEZ OIC - IFED	APPROVED KENNEDY T. COSTALES EXECUTIVE DIRECTOR III	<p>S4 14</p>

MUNICIPAL ENGINEER


STRUCTURAL

NOTES:

TOP & BOTTOM CHORD: 2-2.5x2.6x $\frac{1}{4}$ " ANGLE BAR
WEB MEMBER : 2x2.0x2.0x $\frac{1}{4}$ " ANGLE BAR



A WAREHOUSE TRUSS DIAGRAM DETAILS
SCALE(20X30) 40
SCALE(A3) 60













 <p>PHILIPPINE FIBER INDUSTRY DEVELOPMENT AUTHORITY 3/F DA-PCAF BLDG., DEPARTMENT OF AGRICULTURE ELLIPTICAL ROAD, DILIMAN, QUEZON CITY</p>	<p>PROJECT TITLE/LOCATION CONSTRUCTION OF ABACA TUXY BUYING CENTER BUILDINGS/FACILITIES</p>	<p>SHEET CONTENTS AS SHOWN</p>	<p>DRAWN / PREPARED & DESIGNED BY: ENGR. ROMY ALVIN D. DOMINGO/ ENGR. ORLANDO D. COCAL LIC.# 7274 FDO II / OIC-TAD</p>	<p>REVIEWED ENGR. IRMA R. RODIS ENGINEER II</p>	<p>RECOMMENDING APPROVAL ENGR. MARIETA A. RODRIGUEZ OIC - IFED</p>	<p>APPROVED KENNEDY COSTALES EXECUTIVE DIRECTOR III</p>	<p>S5 14</p>
		<p>OWNER PHILIPPINE FIBER INDUSTRY DEVELOPMENT AUTHORITY 3/F DA-PCAF BLDG., DEPARTMENT OF AGRICULTURE ELLIPTICAL ROAD, DILIMAN, QUEZON CITY</p>	<p>SCALE(20X30) 40 SCALE(A3) 60</p>	<p>LIC.# 7274 FDO II / OIC-TAD</p>	<p>RECOMMENDING APPROVAL ENGR. MARIETA A. RODRIGUEZ OIC - IFED</p>	<p>APPROVED KENNEDY COSTALES EXECUTIVE DIRECTOR III</p>	<p>S5 14</p>

1
E-1

ELECTRICAL SPECIFICATION AND LEGEND

1. ALL ELECTRICAL WORKS SHALL BE DONE BY HIGHLY COMPETENT ELECTRICIANS UNDER THE DIRECT SUPERVISION OF A DULY LICENSED MASTER ELECTRICIAN OR ELECTRICAL ENGINEER.
2. ALL ELECTRICAL WORKS SHALL BE DONE WITH STRICT COMPLIANCE TO RULES AND REGULATIONS IMPOSED BY THE CITY AND THE LOCAL POWER COMPANY.
3. ALL SWITCHES AND CONVENIENCE OUTLETS SHALL BE PLACED IN UTILITY BOXES WITH PROPER PLATES AND COVERS.
4. PANELBOARD SHALL BE INSTALLED WITH A CLEARANCE OF 1000 MILLIMETERS FROM A COMBUSTIBLE CEILING.
5. THERE SHALL BE NO SPLICES AND CONNECTIONS INSIDE THE CONDUITS.
6. PROVIDE JUNCTION BOXES AND PULL BOXES WHEREVER NECESSARY.
7. CONDUITS SHALL BE EMBEDDED IN THE FLOOR OR WALL OR CONCEALED IN THE CELING.
8. ALL MATERIALS TO BE USE SHALL BE NEW AND SUITABLE FOR THE LOCATION AND PURPOSE.


LEGEND :

-  20W LED LIGHT
-  50W HIGH BAY LIGHT
-  DUPLEX CONVENIENCE OUTLET
-  FABS
-  FIRE ALARM BELL & SWITCH
-  FIRE EXIT SIGN
-  PANELBOARD
-  CIRCUIT BREAKER
-  3-GANG SWITCH
-  2-GANG SWITCH
-  CIRCUIT HOMERUN
-  CIRCUIT RUN

REPUBLIC OF THE PHILIPPINES
OFFICE OF THE BUILDING OFFICIAL

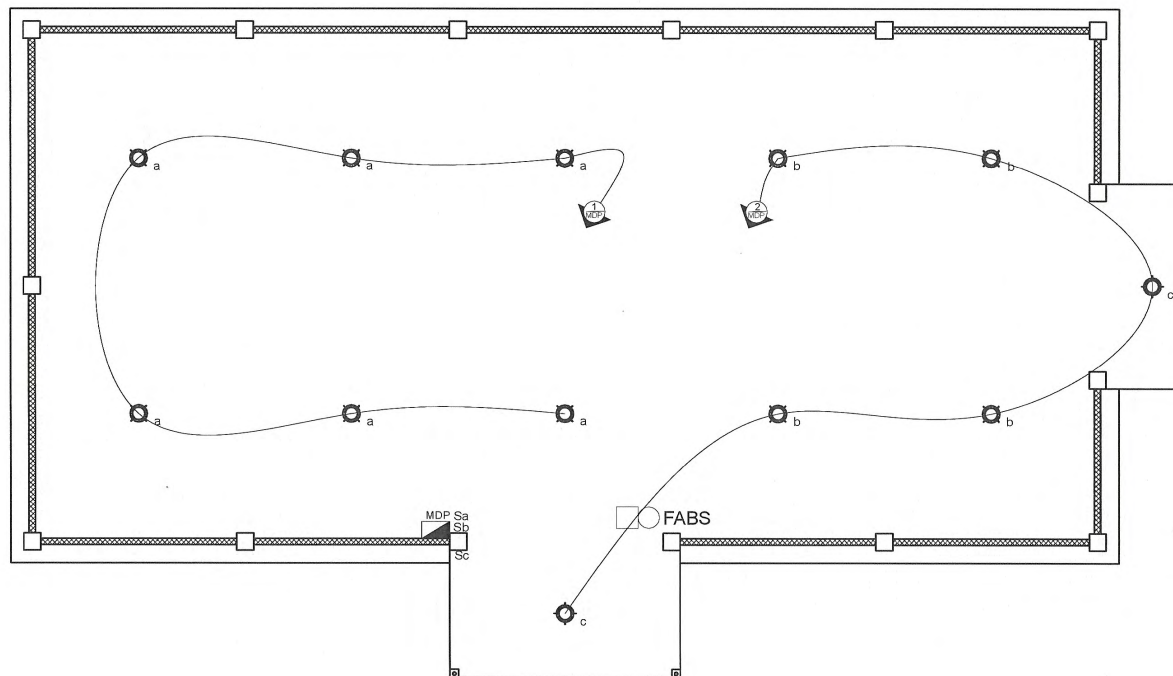
MUNICIPAL ENGINEER

ELECTRICAL

 PHILIPPINE FIBER INDUSTRY DEVELOPMENT AUTHORITY <small>3F DA-PCAF BLDG., DEPARTMENT OF AGRICULTURE ELLIPTICAL ROAD, DILIMAN, QUEZON CITY</small>	PROJECT TITLE/LOCATION CONSTRUCTION OF ABACA TUXY BUYING CENTER BUILDINGS/FACILITIES	SHEET CONTENTS AS SHOWN	DRAWN / PREPARED & DESIGNED BY: ENGR. ROLY ALVIN D. DOMINGO/ ENGR. ORLANDO COCAL <i>40. # 7474</i>	REVIEWED ENGR. IRMA R. RODIS ENGINEER II	RECOMMENDING APPROVAL ENGR. MARIETA A. RODRIGUEZ OIC - IFED	APPROVED KENNEDY T. COSTALES EXECUTIVE DIRECTOR III	E1 14
		FDO II / OIC-TAD <i>20885</i>					

MUNICIPAL ENGINEER

ELECTRICAL



WAREHOUSE BLDG
LIGHTING OUTLET LAYOUT
SCALE(200/300)
SCALE(A3) 50
100



<p>OWNER PHILIPPINE FIBER INDUSTRY DEVELOPMENT AUTHORITY 3/F DA-PCAF BLDG., DEPARTMENT OF AGRICULTURE ELLIPTICAL ROAD, DILIMAN, QUEZON CITY</p>	<p>PROJECT TITLE/LOCATION CONSTRUCTION OF ABACA TUXY BUYING CENTER BUILDINGS/FACILITIES</p>	<p>SHEET CONTENTS AS SHOWN</p>	<p>DRAWN / PREPARED & DESIGNED BY: ENGR. ROMY A. M. D. DOMINGO/ ENGR. ORLANDO D. COCAL LIC # 2679 FDO II / OIC-TAD 3885</p>	<p>REVIEWED ENGR. IRMA R. RODIS ENGINEER II</p>	<p>RECOMMENDING APPROVAL ENGR. MARIETA A. RODRIGUEZ OIC - IFED</p>	<p>APPROVED KENNEDY V. GOSTALES EXECUTIVE DIRECTOR III</p>	<p>E2 14</p>
---	---	------------------------------------	---	---	--	--	------------------

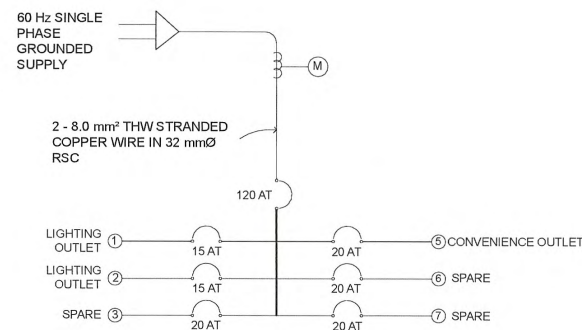
MUNICIPAL ENGINEER

ELECTRICAL

LOAD SCHEDULE


TYPE OF SERVICE: 230V, 3 WIRES 60HZ SINGLE PHASE		FEEDER CONDUCTOR 2-8.0 mm ² & 1- 5.5 mm ² THW Stranded Wire in 32 mm \varnothing RSC									
CIRCUIT NUMBER	DESCRIPTION OF LOAD	VA LOAD	CURRENT	CIRCUIT BREAKER			CONDUCTOR			CONDUIT	
				POLE	FRAME	TRIP	SIZE	TYPE	DIAMETER	TYPE	
1	6 X 100W LIGHT	600	2.60	2	50	15 A	2 - 2.0 mm ² & 1 - 2.0 mm ² (G)	THHN	13 mm	uPVC	
2	6 X 100W LIGHT	600	2.60	2	50	15 A	2 - 2.0 mm ² & 1 - 2.0 mm ² (G)	THHN	13 mm	uPVC	
3	2-3 X 180W CONVENIENCE OUTLET	1,080	4.70	2	50	20 A	2 - 3.5 mm ² & 1 - 3.5 mm ² (G)	THHN	20 mm	uPVC	
4	2-8 X 180W CONVENIENCE OUTLET (spare)	2,880	12.52								
5	2-8 X 180W CONVENIENCE OUTLET (spare)	2,880	12.52								
6	2-8 X 180W CONVENIENCE OUTLET (spare)	2,880	12.52								
TOTAL PHASE CURRENT		10,920	47.47								

1 LINE DIAGRAM E-4



COMPUTATION

$I_t = 10.92 \text{ kVA} / (230 \text{ V}) = 47.47 \text{ A} \times 80\% \text{ DEMAND FACTOR} = 40 \text{ A}$
 USE 2 - 8.0 mm² & 1 - 5.5 mm² THW STRANDED COPPER WIRE IN 32 mm \varnothing RSC

 PHILIPPINE FIBER INDUSTRY DEVELOPMENT AUTHORITY 3F DA-PCAF BLDG., DEPARTMENT OF AGRICULTURE ELLIPTICAL ROAD, DILIMAN, QUEZON CITY	PROJECT TITLE/LOCATION CONSTRUCTION OF ABACA TUXY BUYING CENTER BUILDINGS/FACILITIES	SHEET CONTENTS	DRAWN / PREPARED & DESIGNED BY:	REVIEWED	RECOMMENDING APPROVAL	APPROVED	E3 14
		AS SHOWN	ENGR. ROMY ALVIN S. DOMINGO / ENGR. ORLANDO D. COCAL LIC # 2639 FDO III / OIC-TAD	ENGR. IRMA R. RODIS ENGINEER II	ENGR. MARIETA A. RODRIGUEZ OIC - IFED	KENNEDY COSTALES EXECUTIVE DIRECTOR III	


REPUBLIC OF THE PHILIPPINES
OFFICE OF THE BUILDING OFFICIAL

MUNICIPAL ENGINEER

ARCHITECTURAL

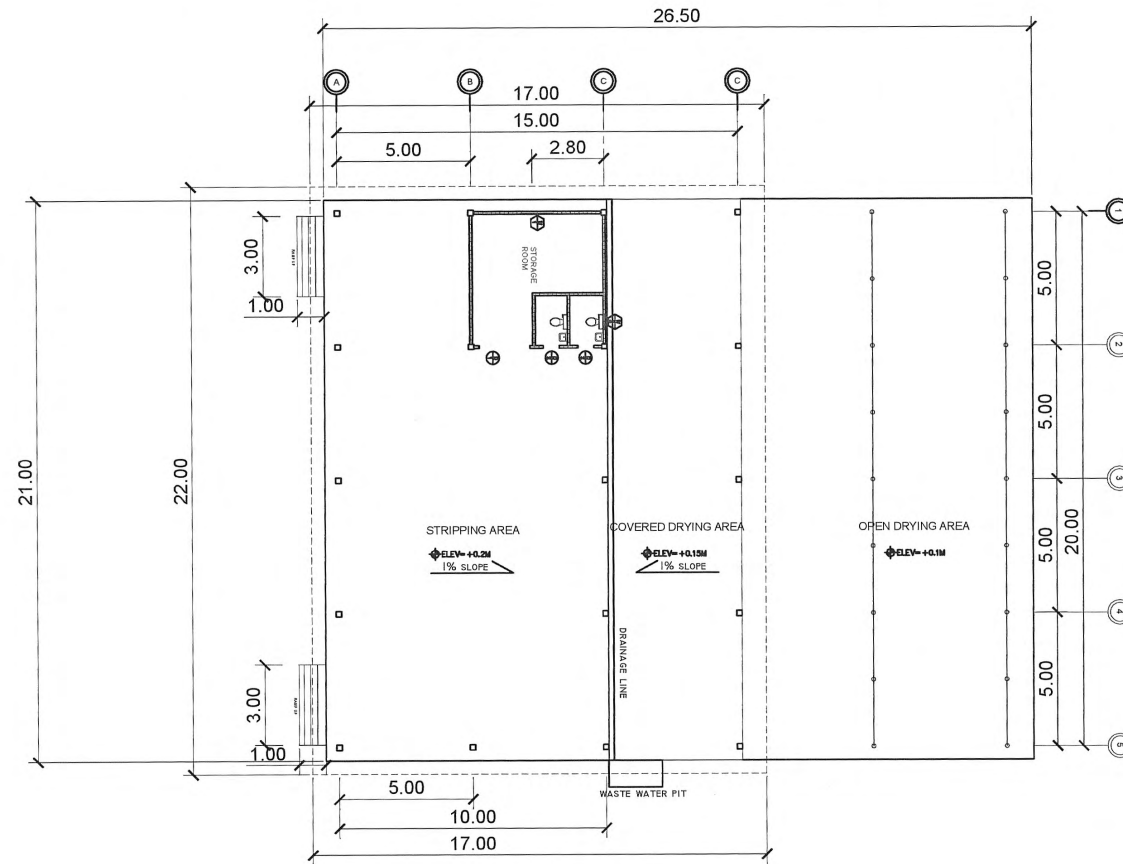


STRIPPING SHED
PERSPECTIVE
SCALE(20X20)
SCALE(A3)
1:40M
1:80M

 PHILIPPINE FIBER INDUSTRY DEVELOPMENT AUTHORITY 3/F DA-PCAF BLDG., DEPARTMENT OF AGRICULTURE ELLIPTICAL ROAD, DILMAN, QUEZON CITY	PROJECT TITLE/LOCATION CONSTRUCTION OF ABACA TUXY BUYING CENTER BUILDINGS/FACILITIES	SHEET CONTENTS AS SHOWN	DRAWN / PREPARED & DESIGNED BY: ENGR. ROMY ALVIN D. DOMINGO/ENGR. ORLANDO D. COCAL <i>L.C. # 7674</i> FDO II / OIC-TAD <i>3895</i>	REVIEWED ENGR. IRMA R. RODIS ENGINEER II	RECOMMENDING APPROVAL ENGR. MARIETA A. RODRIGUEZ OIC - IFED	APPROVED KENNEDY T. COSTALES EXECUTIVE DIRECTOR III	A1 15
		_____ _____ _____	_____ _____ _____				

MUNICIPAL ENGINEER

ARCHITECTURAL



A
STRIPPING SHED
GROUND FLOOR PLAN
SCALE(20/300)
SCALE(A3) 1:50M
1:100M

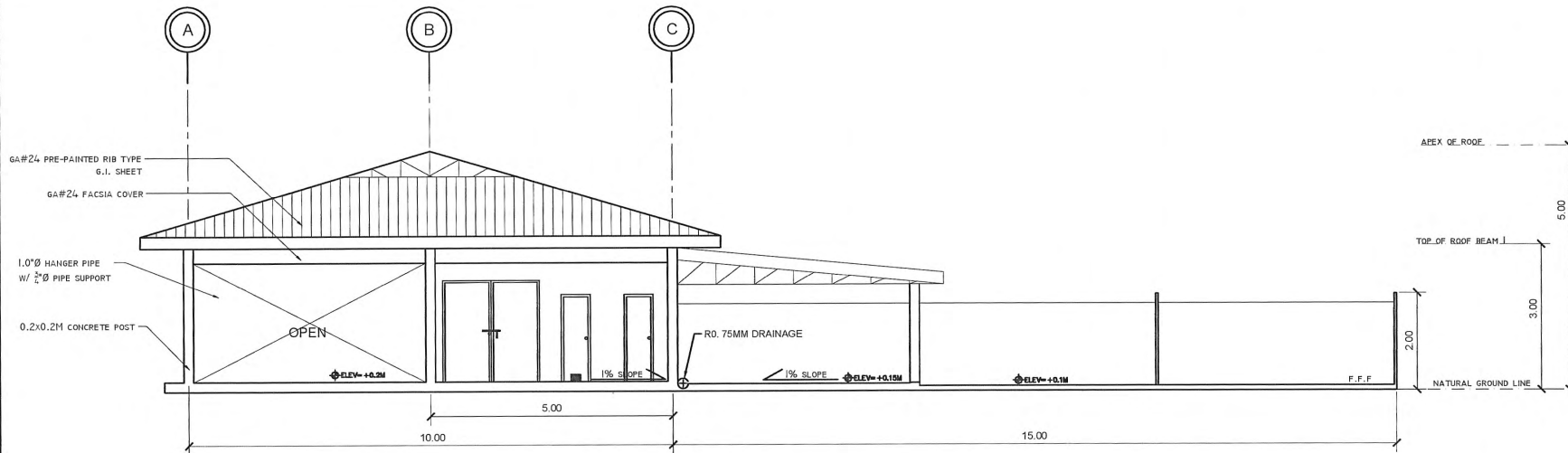
SYMBOLS:

	DOOR SCHEDULE
	WINDOW SCHEDULE
	FLOOR ELEVATION
	100 MM THK CH-B PLAIN CEMENT PLASTER PAINTED FINISH

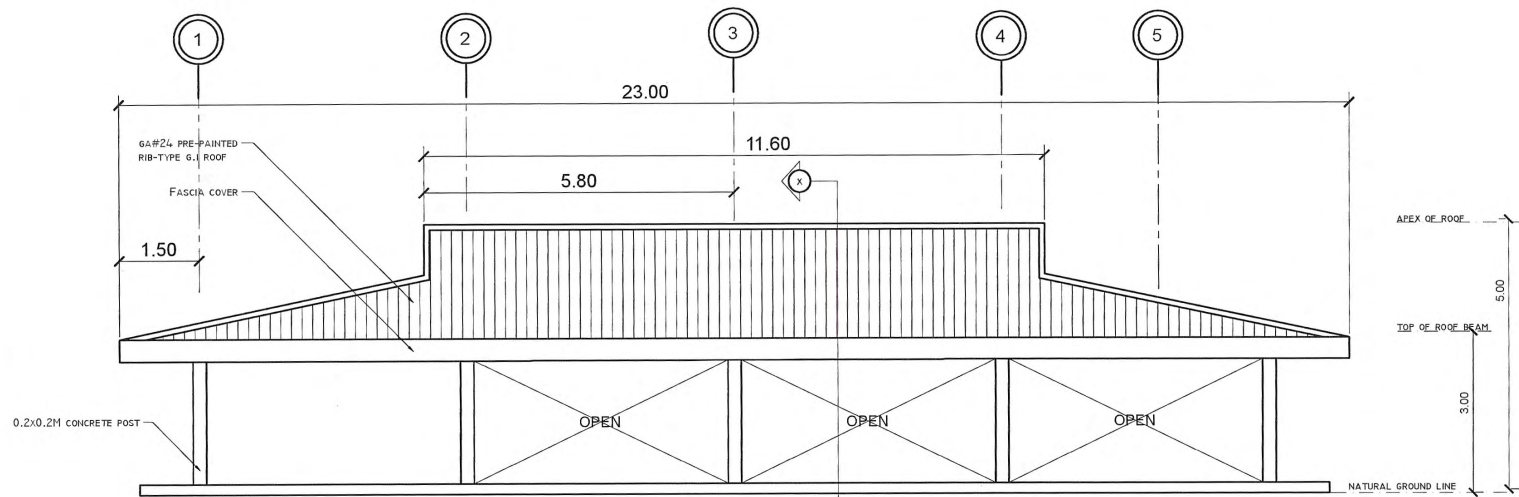
<p>OWNER</p> <p>PHILIPPINE FIBER INDUSTRY DEVELOPMENT AUTHORITY 3/F DA-PCAF BLDG., DEPARTMENT OF AGRICULTURE ELLIPTICAL ROAD, DILIMAN, QUEZON CITY</p>	<p>PROJECT TITLE/LOCATION</p> <p>CONSTRUCTION OF ABACA TUXY BUYING CENTER BUILDINGS/FACILITIES</p>	<p>SHEET CONTENTS</p> <p>AS SHOWN</p>	<p>DRAWN / PREPARED & DESIGNED BY:</p> <p>ENGR. ROMY ALVIN D. DOMINGO/ ENGR. ORLANDO D. COCAL</p>	<p>REVIEWED</p> <p>ENGR. IRMAR R. RODIS</p>	<p>RECOMMENDED APPROVAL</p> <p>ENGR. MARIETA A. RODRIGUEZ</p>	<p>APPROVED</p> <p>KENNEDY COSTALES</p>	<p>A2</p>
		<p>LIC. # 7434</p>	<p>FDD II / OIC-TAD</p> <p>3895</p>	<p>ENGINEER II</p>	<p>OIC - IFED</p>	<p>EXECUTIVE DIRECTOR III</p>	<p>15</p>

MUNICIPAL ENGINEER

ARCHITECTURAL



A
STRIPPING SHED
RIGHT SIDE ELEVATION
SCALE (20X30)
SCALE (A3)
1:50M
1:100M

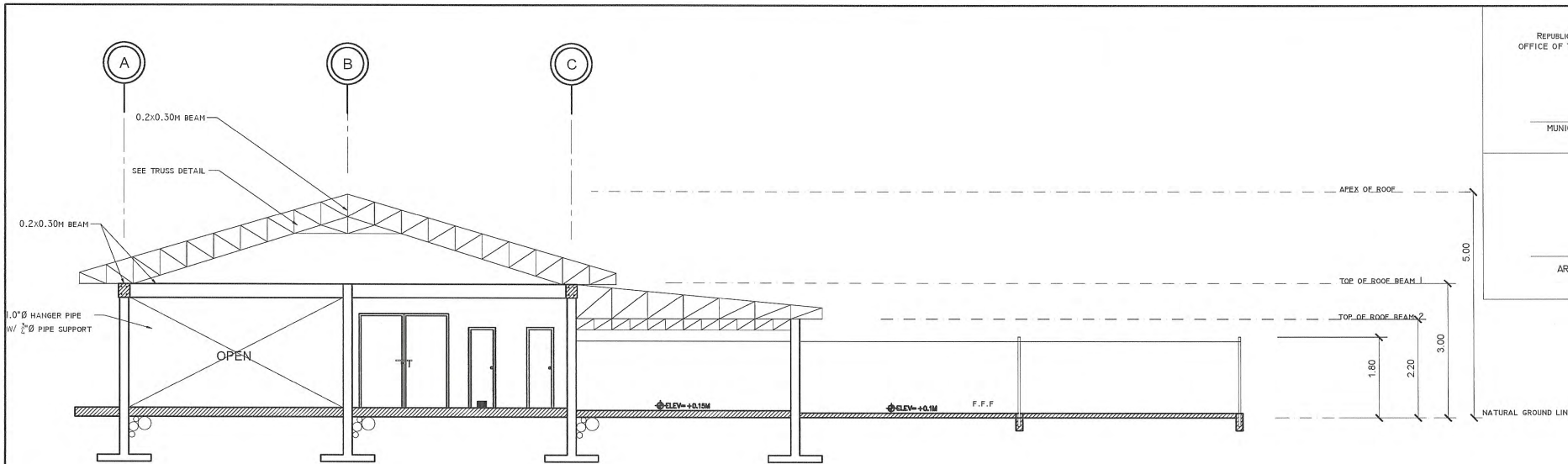


B
STRIPPING SHED
FRONT ELEVATION
SCALE (20X30)
SCALE (A3)
1:50M
1:100M

<p>OWNER PHILIPPINE FIBER INDUSTRY DEVELOPMENT AUTHORITY 3/F DA-PCAF BLDG., DEPARTMENT OF AGRICULTURE ELLIPTICAL ROAD, DILIMAN, QUEZON CITY</p>	<p>PROJECT TITLE/LOCATION CONSTRUCTION OF ABACA TUXY BUYING CENTER BUILDINGS/FACILITIES</p>	<p>SHEET CONTENTS AS SHOWN</p>	<p>DRAWN / PREPARED & DESIGNED BY: ENGR. ROMY VIN D. DOMINGO / ENGR. ORLANDO D. COCAL LIC. # 7699 FDO II / OIC-TAD</p>	<p>REVIEWED ENGR. IRMAR R. RODIS ENGINEER II</p>	<p>RECOMMENDING APPROVAL ENGR. MARIETA A. RODRIGUEZ OIC - IFED</p>	<p>APPROVED KENNEDY T. COSTALES EXECUTIVE DIRECTOR III</p>	<p>A3 15</p>
--	--	------------------------------------	--	--	--	--	------------------

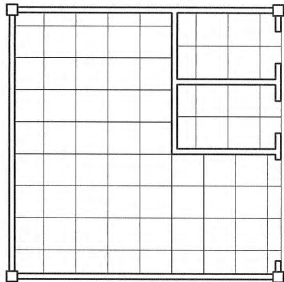
MUNICIPAL ENGINEER

ARCHITECTURAL

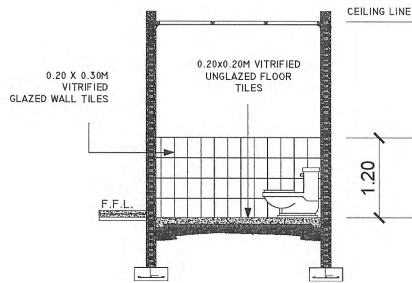


A
STRIPPING SHED
SECTION THRU "XX"
SCALE(20X30)
SCALE(A3)
1:50M
1:100M

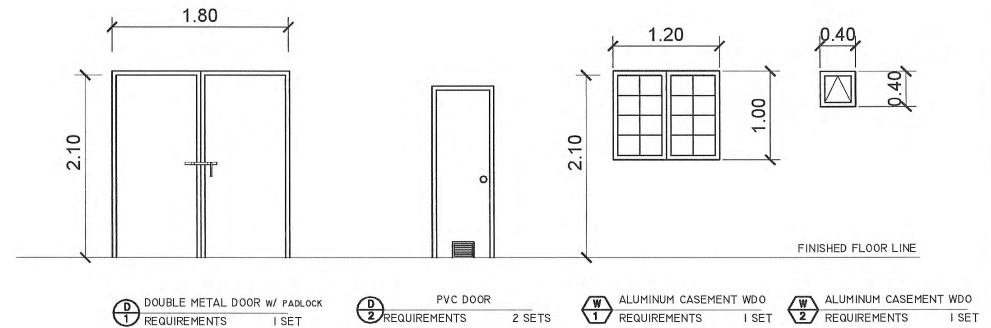
4x8x4.5MM FIBER CEMENT
10MM DIA. STEEL BAR CEILING HANGERS
spaced @9.20 M o.c.
1.5X1.5X1/8" ANGLE BAR CEILING JOISTS
spaced @0.60 M o.c. on both ways




B
STRIPPING SHED
REFLECTED CEILING PLAN
SCALE(20X30)
SCALE(A3)
NTS
NTS



C
STRIPPING SHED
TILE DETAILS
SCALE(20X30)
SCALE(A3)
NTS
NTS

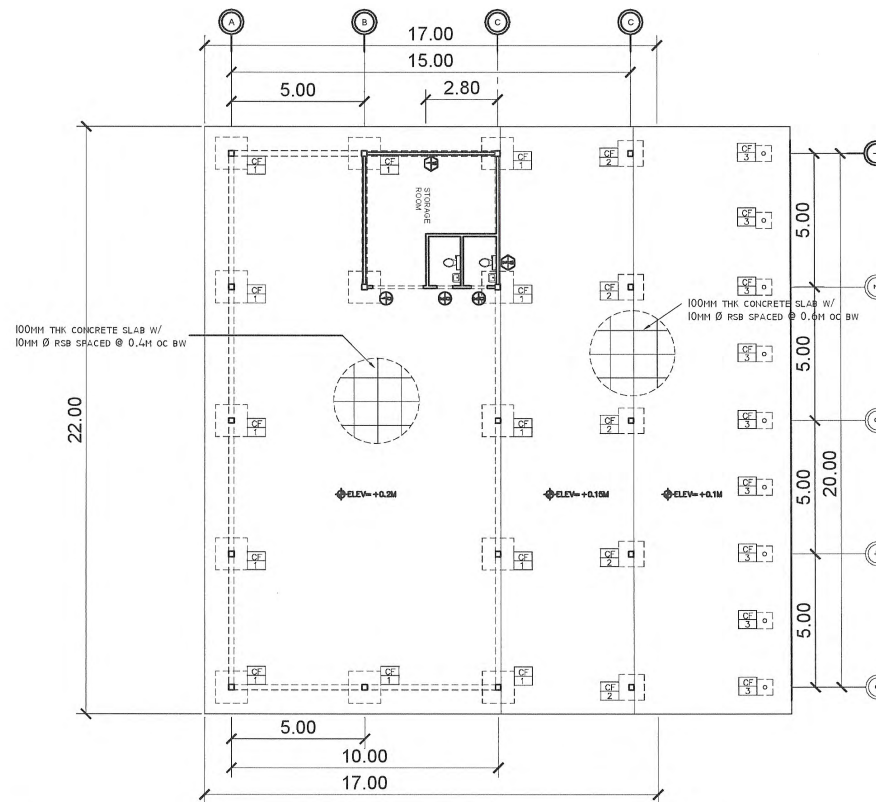


D
STRIPPING SHED
SCHEDULE OF DOORS & WINDOW
SCALE(20X30)
SCALE(A3)
30
60

OWNER  PHILIPPINE FIBER INDUSTRY DEVELOPMENT AUTHORITY 3/F DA, PCAF BLDG., DEPARTMENT OF AGRICULTURE ELLIPTICAL ROAD, DILIMAN, QUEZON CITY	PROJECT TITLE/LOCATION CONSTRUCTION OF ABACA TUXY BUYING CENTER BUILDINGS/FACILITIES	SHEET CONTENTS	DRAWN / PREPARED & DESIGNED BY:	REVIEWED	RECOMMENDING APPROVAL	APPROVED	A4 15
		AS SHOWN	ENGR. ROMY ALON D. DOMINGO/ ENGR. ORLANDO D. COCAL L/c. # 7675 FDO II / OIC-TAD 3895	ENGR. RMA R. RODIS ENGINEER II	ENGR. MARIETA A. RODRIGUEZ OIC - IPED	KENNEDY T. COSTALES EXECUTIVE DIRECTOR III	

MUNICIPAL ENGINEER

STRUCTURAL



NOTES:

1. All dimension is in meter, or unless otherwise specified.
2. It shall be the contractor's responsibility to provide adequate shoring and bracing of the structure for all loads that maybe imposed during construction.
3. The contractor shall verify all dimensions before all works is to begin.
4. Subject to actual verification.

**STRIPPING SHED
FOUNDATION PLAN**
SCALE (20X30) 1:500M
SCALE (A3) 1:100M

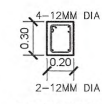
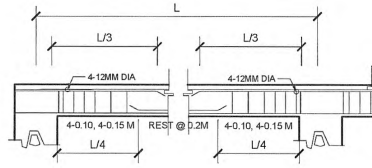
SYMBOLS:

	DOOR SCHEDULE
	WINDOW SCHEDULE
	FLOOR ELEVATION
	100 MM THK CHB PLAIN CEMENT PLASTER PAINTED FINISH
	100 MM THK CHB WALL W/ 100 MM THK FOUNDATION
	150 MM THK CHB WALL W/ 100 MM THK FOUNDATION
	200x200x400MM CONCRETE COLUMN W/ 150 MM THK FOUNDATION
	200x200x5650MM CONCRETE COLUMN W/ 150 MM THK FOUNDATION

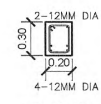
OWNER PHILIPPINE FIBER INDUSTRY DEVELOPMENT AUTHORITY 3/F DA-PCAF BLDG., DEPARTMENT OF AGRICULTURE ELLIPTICAL ROAD, DILIMAN, QUEZON CITY	PROJECT TITLE/LOCATION CONSTRUCTION OF ABACA TUXY BUYING CENTER BUILDINGS/FACILITIES	SHEET CONTENTS	DRAWN / PREPARED & DESIGNED BY:	REVIEWED	RECOMMENDING APPROVAL	APPROVED	KENNEDY COSTALES EXECUTIVE DIRECTOR III	S1 15
		AS SHOWN	ENGR. ROMY ALVIN D. DOMINGO/ ENGR. ORLANDO D. COCAL LIC.# 7674 FDO II / OIC-TAD 3695	ENGR. IRMA R. RODIS ENGINEER II	ENGR. MARIETA A. RODRIGUEZ OIC - IFED			

MUNICIPAL ENGINEER

STRUCTURAL

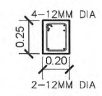
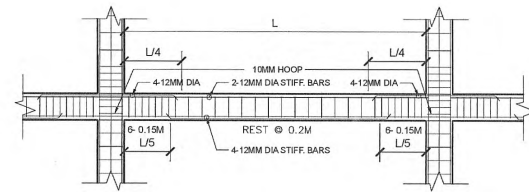


SECTION NEAR SUPPORT

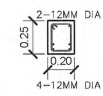


SECTION @ MIDSPAN

B STRIPPING SHED ROOF BEAM DETAILS
SCALE(20X30)
SCALE(A3)
NTS
NTS

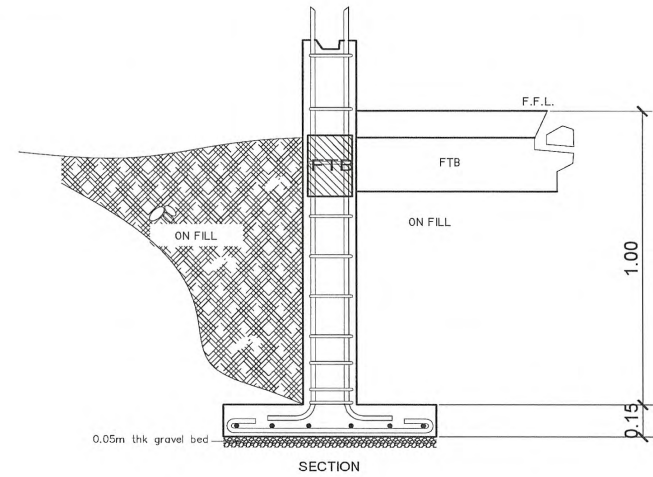


SECTION NEAR SUPPORT



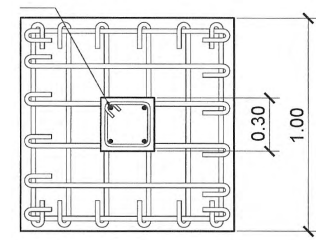
SECTION @ MIDSPAN

C STRIPPING SHED TIE BEAM DETAILS
SCALE(20X30)
SCALE(A3)
NTS
NTS



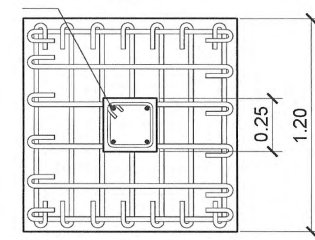
SECTION

4-16mm \varnothing vert. bars w/ 10mm \varnothing ties spaced @ 0.05, 3-0.10, 3-0.15 rest @ 0.20m o.c.
6-12mm \varnothing base b.w



F1

4-12mm \varnothing vert. bars w/ 10mm \varnothing ties spaced @ 0.05, 3-0.10, 3-0.15 rest @ 0.20m o.c.
7-12mm \varnothing base b.w



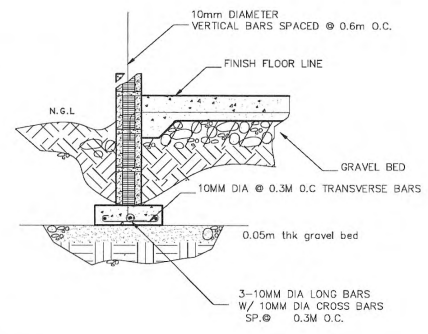
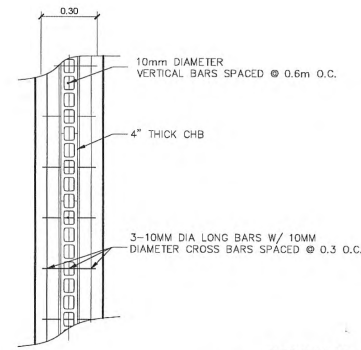
F2

2.5" G.I. Pipe 0.25x0.25x0.3m column footing




F3

D STRIPPING SHED COLUMN FOOTING DETAILS
SCALE(20X30)
SCALE(A3)
NTS
NTS

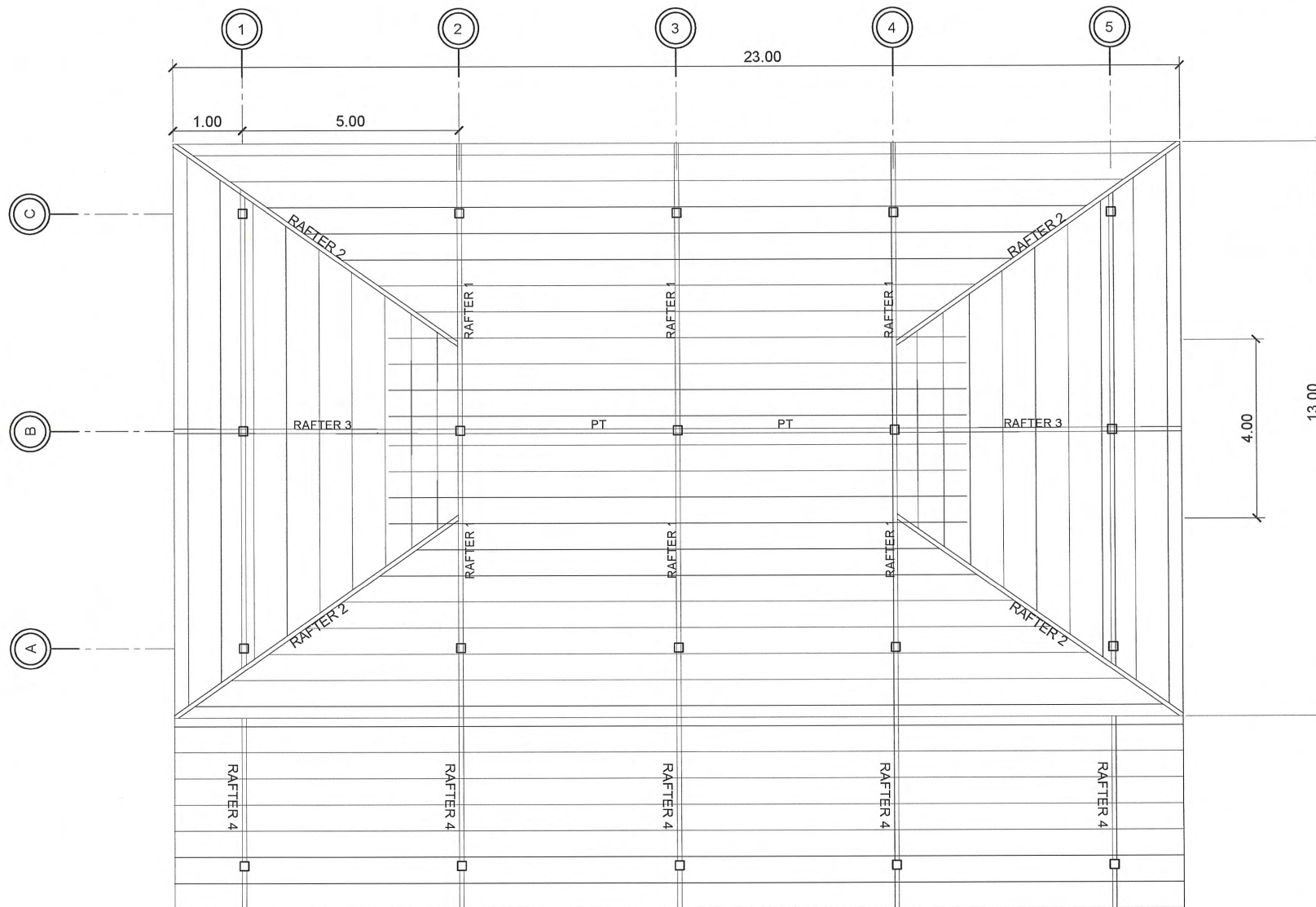


C STRIPPING SHED WALL FOOTING DETAILS
SCALE(20X30)
SCALE(A3)
NTS
NTS

OWNER  PHILIPPINE FIBER INDUSTRY DEVELOPMENT AUTHORITY 3/F DA-PCAF BLDG., DEPARTMENT OF AGRICULTURE ELLIPTICAL ROAD, DILIMAN, QUEZON CITY	PROJECT TITLE/LOCATION CONSTRUCTION OF ABACA TUXY BUYING CENTER BUILDINGS/FACILITIES	SHEET CONTENTS	DRAWN / PREPARED & DESIGNED BY:	REVIEWED	RECOMMENDING APPROVAL	APPROVED	S2 15
		AS SHOWN	ENGR. ROMY ALMIR D. DOMINGO/ ENGR. ORLANDO D. COCAL LIC.# 7674 FDO #/ OIC-TAD 3695	ENGR. IRMA R. RODIS ENGINEER II	ENGR. MARIETA A. RODRIGUEZ OIC - I/ED	KENNEDY T. COSTALES EXECUTIVE DIRECTOR III	

MUNICIPAL ENGINEER

STRUCTURAL




NOTES:

C-PURLINS ; 2x3.0x1.5MM SPACE @ 0.6M O.C B.W



STRIPPING SHED
ROOF FRAMING PLAN

SCALE (OVERALL) 1:50M
SCALE (A3) 1:100M

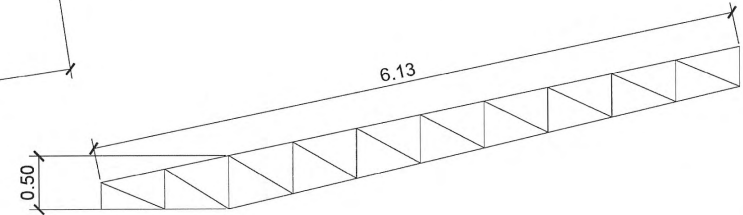
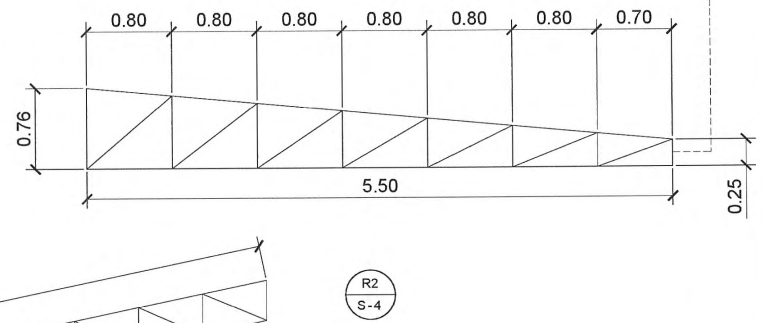
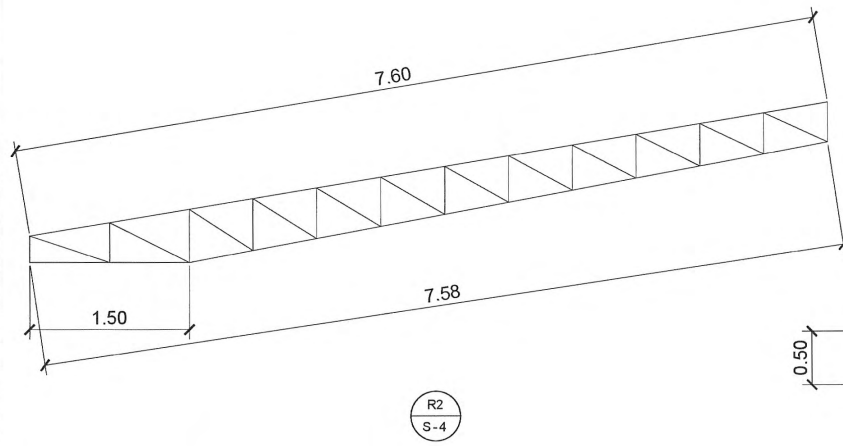
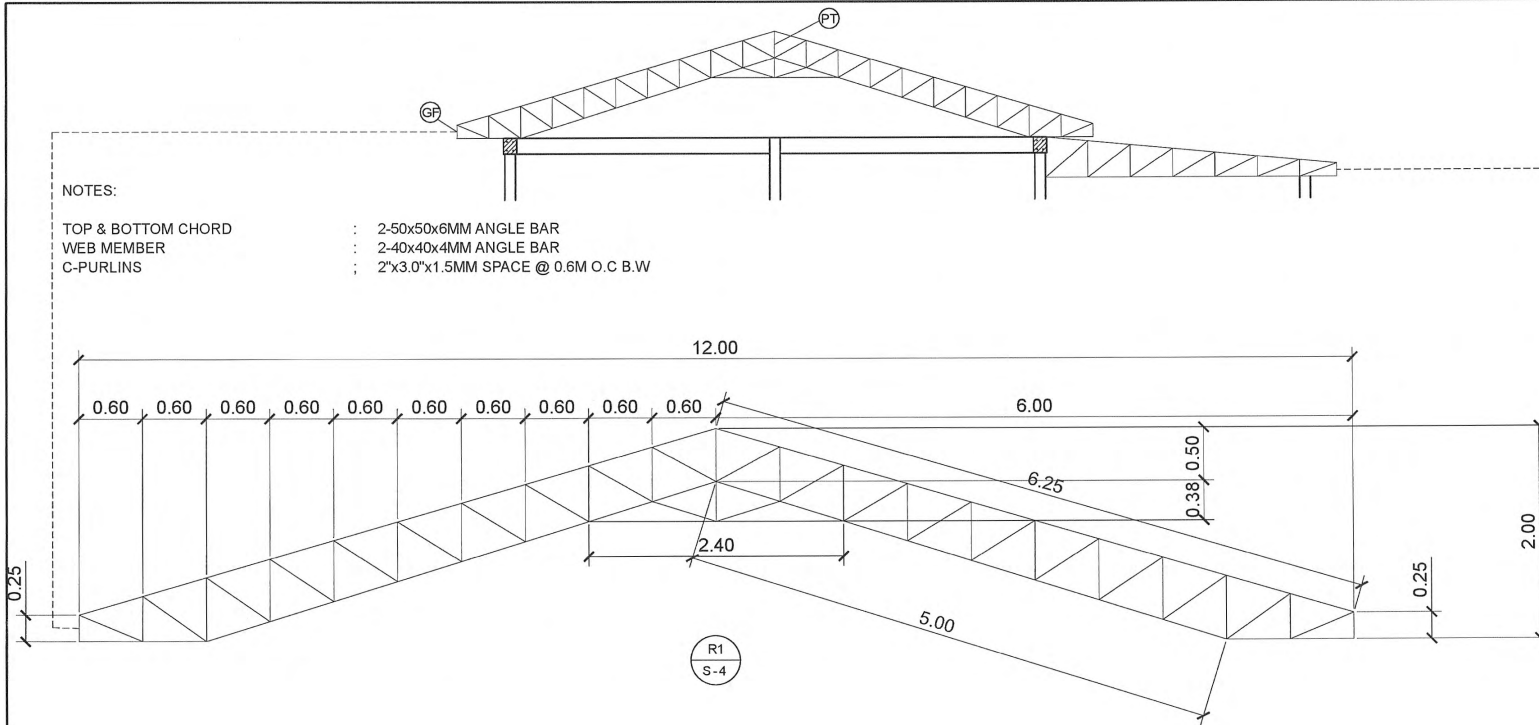
 <p>PHILIPPINE FIBER INDUSTRY DEVELOPMENT AUTHORITY 3/F DA-PCAF BLDG., DEPARTMENT OF AGRICULTURE ELLIPTICAL ROAD, DILIMAN, QUEZON CITY</p>	<p>PROJECT TITLE/LOCATION CONSTRUCTION OF ABACA TUXY BUYING CENTER BUILDINGS/FACILITIES</p>	<p>SHEET CONTENTS AS SHOWN</p>	<p>DRAWN / PREPARED & DESIGNED BY: ENGR. ROMY ALVIN D. DOMINGO/ENGR. ORLANDO D. COCAL LIC. # 7679 FDO II/OIC-TAD</p>	<p>REVIEWED ENGR. IRMA R. RODIS ENGINEER II</p>	<p>RECOMMENDING APPROVAL ENGR. MARIETA A. RODRIGUEZ</p>	<p>APPROVED KENNEDY COSTALES EXECUTIVE DIRECTOR III</p>	<p>S3 15</p>
			<p>OWNER PHILIPPINE FIBER INDUSTRY DEVELOPMENT AUTHORITY</p>	<p>SCALE (OVERALL) 1:50M SCALE (A3) 1:100M</p>	<p>DATE: 2024</p>	<p>PROJECT NO. 2024</p>	<p>DATE: 2024</p>

MUNICIPAL ENGINEER


ARCHITECTURAL

NOTES:

- TOP & BOTTOM CHORD : 2-50x50x6MM ANGLE BAR
- WEB MEMBER : 2-40x40x4MM ANGLE BAR
- C-PURLINS : 2"x3.0"x1.5MM SPACE @ 0.6M O.C.B.W

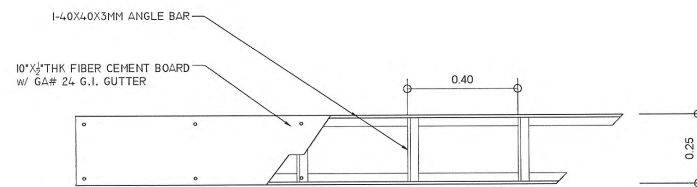
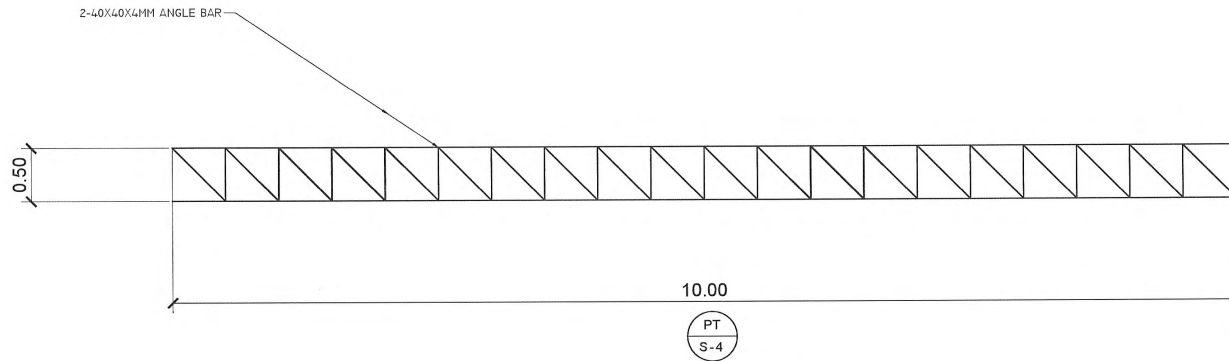


A STRIPPING SHED TRUSS DETAILS
SCALE(20X30)
SCALE(A3)
NTS


OWNER  PHILIPPINE FIBER INDUSTRY DEVELOPMENT AUTHORITY 3/F DA PCAF BLDG., DEPARTMENT OF AGRICULTURE ELLIPTICAL ROAD, DILIMAN, QUEZON CITY	PROJECT TITLE/LOCATION CONSTRUCTION OF ABACA TUYU BUYING CENTER BUILDINGS/FACILITIES	SHEET CONTENTS	DRAWN / PREPARED & DESIGNED BY:	REVIEWED	RECOMMENDING APPROVAL	APPROVED	S4 15
		AS SHOWN	ENGR. ROMY ALVIN D. DOMINGO/ENGR. ORLANDO D. COCAL LIC. # 7079 FDO II / OIC-TAD	ENR. IRMA R. RODIS ENGINEER II	ENGR. MARIETA A. RODRIGUEZ OIC - IFED	KENNEDY T. COSTALES EXECUTIVE DIRECTOR III	

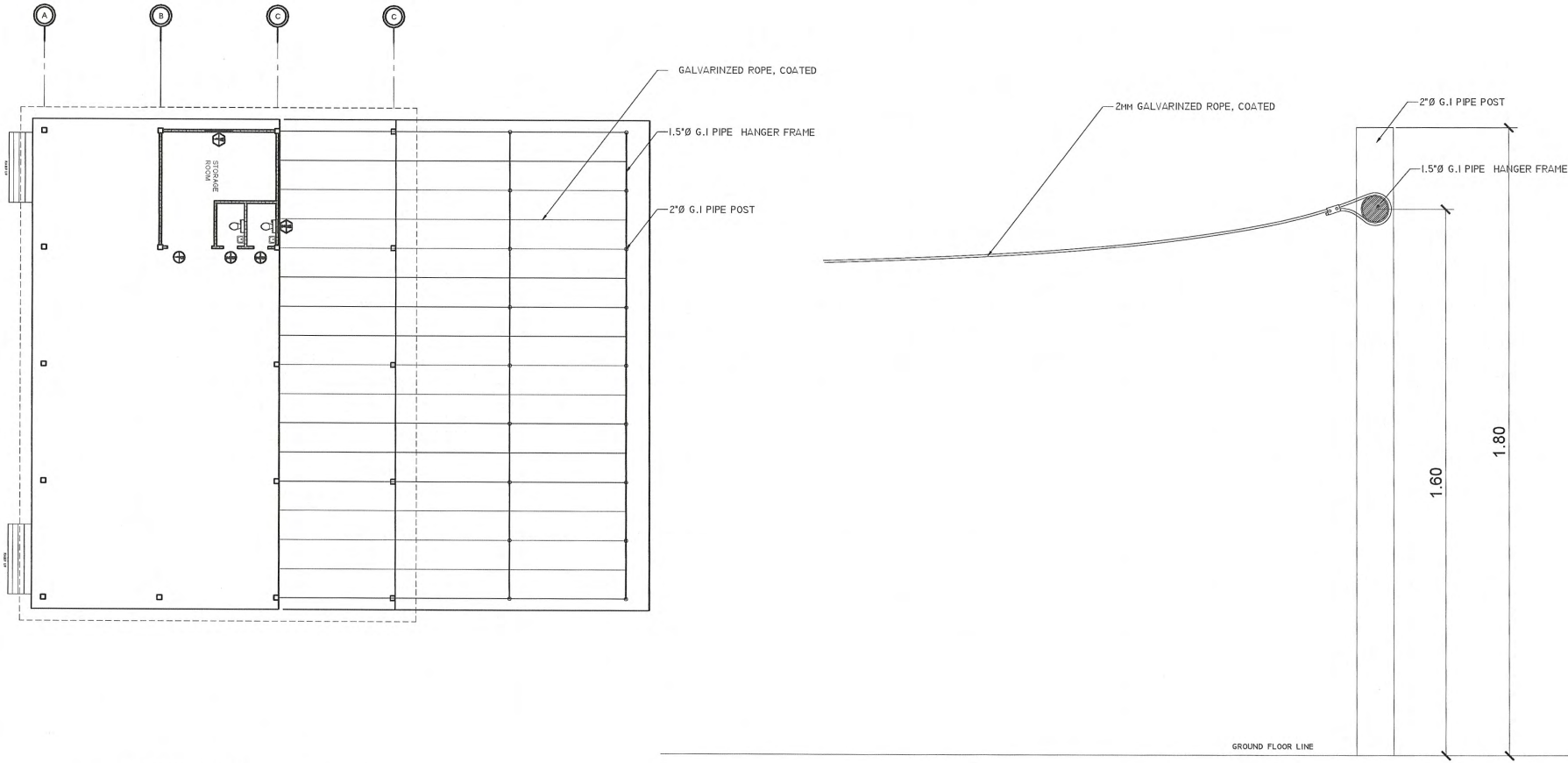
MUNICIPAL ENGINEER

ARCHITECTURAL




B
STRIPPING SHED
FASCIA FRAME DETAILS
SCALE(200X30)
SCALE(A3)
NTS
NTS

OWNER  PHILIPPINE FIBER INDUSTRY DEVELOPMENT AUTHORITY 3/F DA, PCAF BLDG., DEPARTMENT OF AGRICULTURE ELLIPTICAL ROAD, DILIMAN, QUEZON CITY	PROJECT TITLE/LOCATION CONSTRUCTION OF ABACA TUXY BUYING CENTER BUILDINGS/FACILITIES	SHEET CONTENTS	DRAWN / PREPARED & DESIGNED BY:	REVIEWED	RECOMMENDING APPROVAL	APPROVED	SS 15
		AS SHOWN	ENGR. ROMY ALVINO DOMINGO/ ENGR. ORLANDO COCAL LIC # 7479 FDO II / OIC-TAD 13895	ENGR. JIMAR R. RODIS ENGINEER II	ENGR. MARIETA A. RODRIGUEZ OIC - IFED	KENNEDY T. COSTALES EXECUTIVE DIRECTOR III	








A
 STRIPPING SHED
 DETAILS OF DRYING AREA
 SCALE (20x30)
 SCALE (A3)
 1:30M
 1:100M

OWNER  PHILIPPINE FIBER INDUSTRY DEVELOPMENT AUTHORITY <small>3/F DA-PCAF BLDG., DEPARTMENT OF AGRICULTURE ELLIPTICAL ROAD, DILIMAN, QUEZON CITY</small>	PROJECT TITLE/LOCATION CONSTRUCTION OF ABACA TUXY BUYING CENTER BUILDINGS/FACILITIES	SHEET CONTENTS	DRAWN / PREPARED & DESIGNED BY: ENGR. ROMALVIN D. DOMINGO / ENGR. ORLANDO D. COCAL <i>[Signature]</i>	REVIEWED ENGR. IRMA R. RODIS <i>[Signature]</i>	RECOMMENDING APPROVAL ENGR. MARIETA A. RODRIGUEZ <i>[Signature]</i>	APPROVED KENNEDY T. BOSTALES <i>[Signature]</i>	S6 15
		AS SHOWN LIC. # 7679 FDO III / OIC-TAD 3895	ENGINEER II	OIC - IPED	EXECUTIVE DIRECTOR III		

PLUMBING SPECIFICATIONS

1. ALL PLUMBING INSTALLATIONS HEREIN SHALL BE DONE IN ACCORDANCE WITH THE LATEST RULES AND REGULATIONS OF THE SANITARY CODE OF THE PHILIPPINES.
2. ALL PLUMBING WORKS HEREIN SHALL BE DONE UNDER THE DIRECT SUPERVISION OF A LICENSED PLUMBING ENGINEER OR A MASTER PLUMBER.
3. ALL PLUMBING PIPES AND FITTINGS, FOR WATER AND SEWER LINES, SHALL BE PVC AND SHALL BE PROPERLY SEALED WITH SOLVENT CEMENT.
4. PIPE SIZES FOR WATER LINES SHALL BE: \varnothing 12.5 MM ($\frac{1}{2}$ ") FOR DISTRIBUTION LINES. USE HEAVY DUTY GATE VALVES, FAUCETS, BIDETS, AND ALL PLUMBING FIXTURES AND ACCESSORIES.
5. PIPE SIZES FOR SEWER LINES SHALL BE: \varnothing 75 MM (3") FOR SOIL STACK; \varnothing 50 MM (2") FOR SOIL BRANCHES. USE PVC PIPES AND FITTINGS, NELTEX OR ITS APPROVED EQUIVALENT.

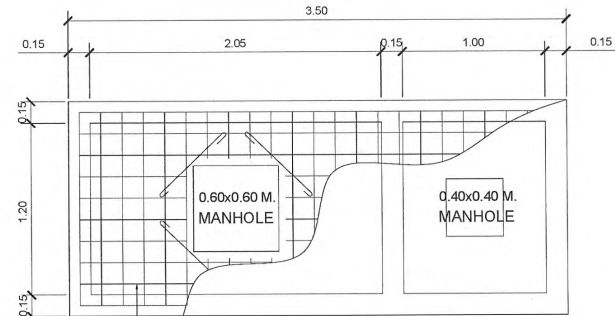
LEGEND :

WC	WATER CLOSET
FD	FLOOR DRAIN
F	FAUCET
VTR	VENT THROUGH ROOF
C.O.	WALL CLEAN OUT
LAV	LAVATORY
SV	SEPTIC VAULT
	SANITARY LINE
	FRESH WATER LINE
	GATE VALVE
	WATER METER
	REDUCER

REPUBLIC OF THE PHILIPPINES
OFFICE OF THE BUILDING OFFICIAL

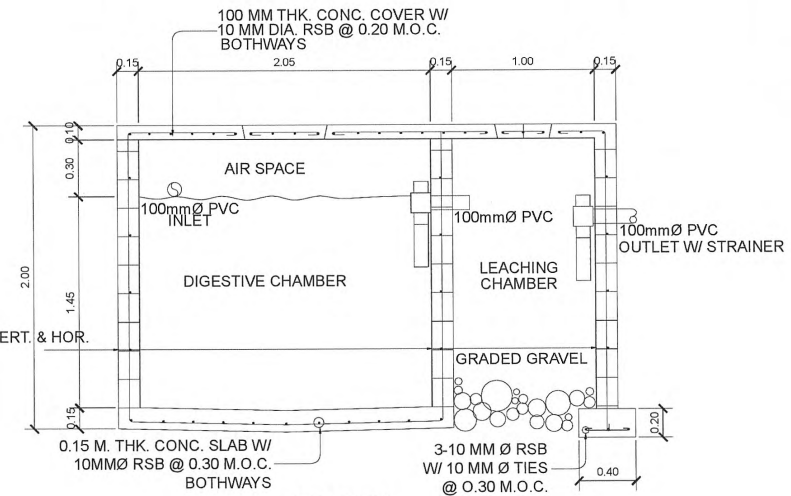
MUNICIPAL ENGINEER

PLUMBING



PLAN


0.10M. THK. CONC. SLAB W/ 10MM \varnothing
RSB @ 0.15 M.O.C. BOTHWAYS



SECTION

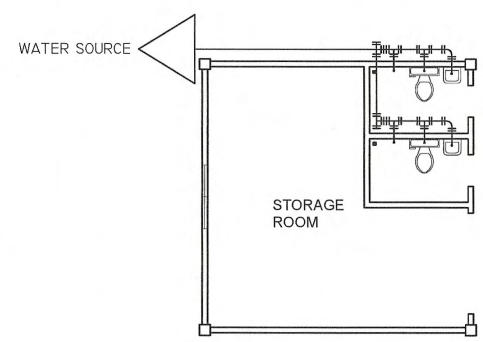
6" THK. CHB W/ 10 \varnothing VERT. & HOR.
BARS @ 0.60 M.O.C.

A
STRIPPING SHED
GROUND FLOOR PLAN
SCALE(20X30)
SCALE(A3)
1:50M
1:100M

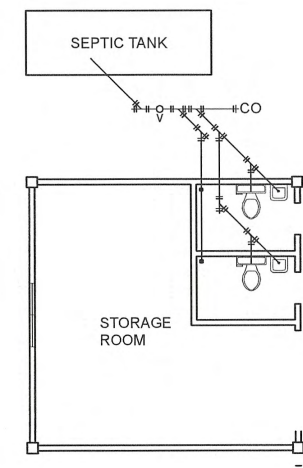
OWNER  PHILIPPINE FIBER INDUSTRY DEVELOPMENT AUTHORITY 3F DA-PCAF BLDG., DEPARTMENT OF AGRICULTURE ELLIPTICAL ROAD, DILIMAN, QUEZON CITY	PROJECT TITLE/LOCATION CONSTRUCTION OF ABACA TUXY BUYING CENTER BUILDINGS/FACILITIES	SHEET CONTENTS	DRAWN / PREPARED & DESIGNED BY:	REVIEWED	RECOMMENDING APPROVAL	APPROVED	P1 15
		AS SHOWN	ENGR. ROMY ALVIN D. DOMINGO/ ENGR. ORLANDO D. COCAL LIC. # 3679 FDO II / OIC-TAD 3895	ENGR. IRMA R. RODIS ENGINEER II	ENGR. MARIETA A. RODRIGUEZ OIC - IFED	KENNEDY COSTALES EXECUTIVE DIRECTOR III	

MUNICIPAL ENGINEER


PLUMBING



A STRIPPING SHED
WATERLINE LAYOUT
SCALE(20X30)
SCALE(A3)
1:50M
1:100M



B STRIPPING SHED
SEWER LINE
SCALE(20X30)
SCALE(A3)
1:50M
1:100M

 <p>PHILIPPINE FIBER INDUSTRY DEVELOPMENT AUTHORITY 3/F DA-PCAF BLDG., DEPARTMENT OF AGRICULTURE ELLIPTICAL ROAD, DILIMAN, QUEZON CITY</p>	<p>PROJECT TITLE/LOCATION CONSTRUCTION OF ABACA TUXY BUYING CENTER BUILDINGS/FACILITIES</p>	SHEET CONTENTS	DRAWN / PREPARED & DESIGNED BY:	REVIEWED	RECOMMENDING APPROVAL	APPROVED	<p>P2 15</p>
		AS SHOWN	<p>ENGR. ROMY ALVIN D. DOMINGO / ENGR. ORLANDO D. COCAL LIC. # 7679 FDO II / OIC-TAD 3895</p>	<p>ENGR. IRMA R. RODIS ENGINEER II</p>	<p>ENGR. MARIETA A. RODRIGUEZ OIC - IFED</p>	<p>KENNEDY T. COSTALES EXECUTIVE DIRECTOR III</p>	

1
E-1





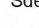

ELECTRICAL SPECIFICATION AND LEGEND

REPUBLIC OF THE PHILIPPINES
OFFICE OF THE BUILDING OFFICIAL


MUNICIPAL ENGINEER

ELECTRICAL

LEGEND :

-  10W LED LIGHT
-  20W LED LIGHT
-  DUPLEX CONVENIENCE OUTLET
-  PANELBOARD
-  CIRCUIT BREAKER
-  2-GANG SWITCH
-  CIRCUIT HOMERUN
-  CIRCUIT RUN

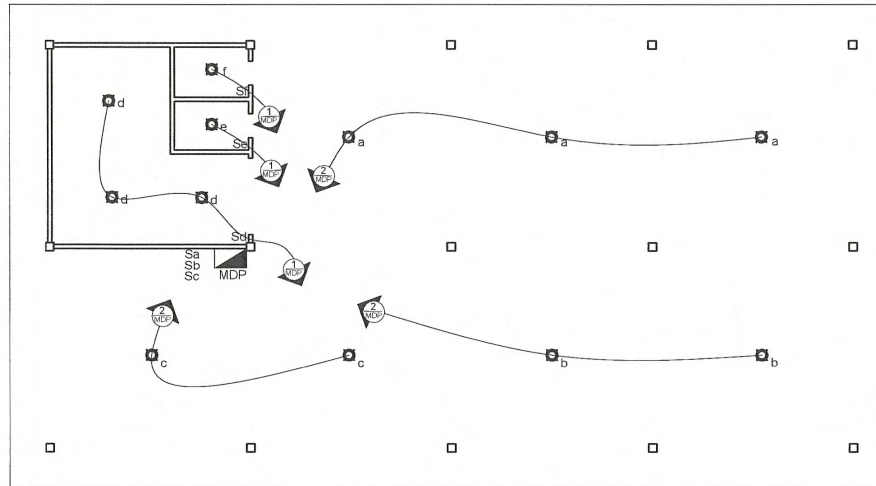
1. ALL ELECTRICAL WORKS SHALL BE DONE BY HIGHLY COMPETENT ELECTRICIANS UNDER THE DIRECT SUPERVISION OF A DULY LICENSED MASTER ELECTRICIAN OR ELECTRICAL ENGINEER.
2. ALL ELECTRICAL WORKS SHALL BE DONE WITH STRICT COMPLIANCE TO RULES AND REGULATIONS IMPOSED BY THE CITY AND THE LOCAL POWER COMPANY.
3. ALL SWITCHES AND CONVENIENCE OUTLETS SHALL BE PLACED IN UTILITY BOXES WITH PROPER PLATES AND COVERS.
4. PANELBOARD SHALL BE INSTALLED WITH A CLEARANCE OF 1000 MILLIMETERS FROM A COMBUSTIBLE CEILING.
5. THERE SHALL BE NO SPLICES AND CONNECTIONS INSIDE THE CONDUITS.
6. PROVIDE JUNCTION BOXES AND PULL BOXES WHEREVER NECESSARY.
7. CONDUITS SHALL BE EMBEDDED IN THE FLOOR OR WALL OR CONCEALED IN THE CELING.
8. ALL MATERIALS TO BE USE SHALL BE NEW AND SUITABLE FOR THE LOCATION AND PURPOSE.

 <p>PHILIPPINE FIBER INDUSTRY DEVELOPMENT AUTHORITY 3/F DA-PCAF BLDG., DEPARTMENT OF AGRICULTURE ELLIPTICAL ROAD, DILIMAN, QUEZON CITY</p>	<p>PROJECT TITLE/LOCATION CONSTRUCTION OF ABACA TUYU BUYING CENTER BUILDINGS/FACILITIES</p>	SHEET CONTENTS	DRAWN / PREPARED & DESIGNED BY:	REVIEWED	RECOMMENDING APPROVAL	APPROVED	<p>E1 15</p>
		AS SHOWN	<p>ENGR. ROMY ALVIN D. DOMINGO / ENGR. ORLANDO D. COCAL LIC # 2674 FDO II / OIC-TAD 3895</p>	<p>ENGR. RMA R. RODIS ENGINEER II</p>	<p>ENGR. MARIETA A. RODRIGUEZ OIC - IFED</p>	<p>KENNEDY T. COSTALES EXECUTIVE DIRECTOR III</p>	

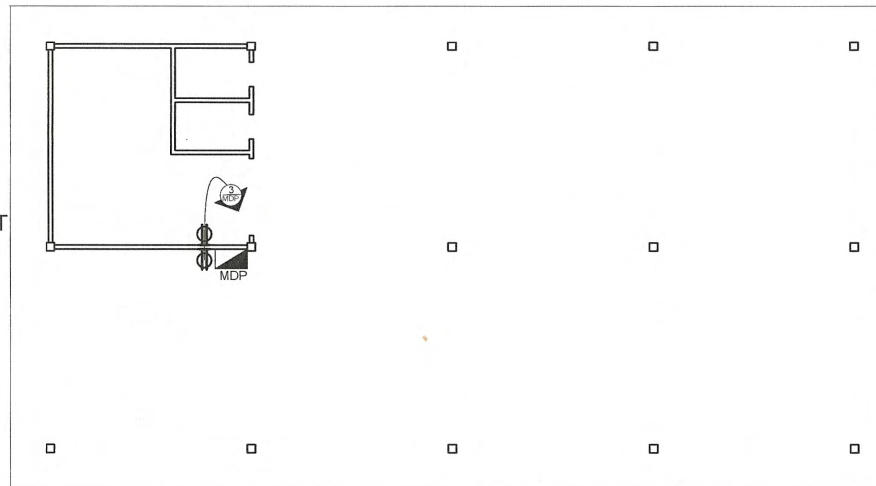
MUNICIPAL ENGINEER


ELECTRICAL

A
STRIPPING SHED
LIGHTING OUTLET LAYOUT
SCALE(20X30)
SCALE(A3)
1:50M
1:100M



B
STRIPPING SHED
COVENIENCE OUTLET LAYOUT
SCALE(20X30)
SCALE(A3)
1:50M
1:100M

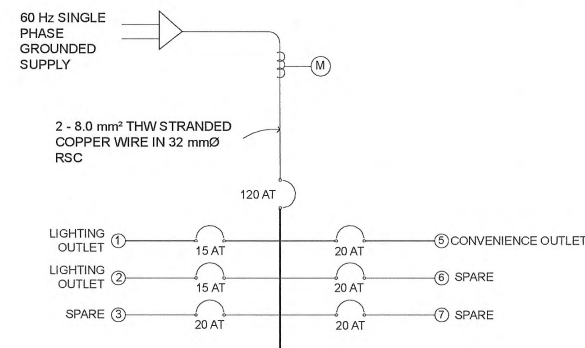


OWNER  PHILIPPINE FIBER INDUSTRY DEVELOPMENT AUTHORITY 3/F DA-PCAF BLDG., DEPARTMENT OF AGRICULTURE ELLIPTICAL ROAD, DILIMAN, QUEZON CITY	PROJECT TITLE/LOCATION CONSTRUCTION OF ABACA TUXY BUYING CENTER BUILDINGS/FACILITIES	SHEET CONTENTS	DRAWN / PREPARED & DESIGNED BY:	REVIEWED	RECOMMENDED APPROVAL	APPROVED	E2 15
		AS SHOWN	ENGR. ROMY ALVIN D. DOMINGO/ ENGR. ORLANDO D. COCAL LIC.# 7679 FDO II / OIC-TAD 3695	ENGR. RMA R. RODIS ENGINEER II	ENGR. MARIETA A. RODRIGUEZ OIC - IFED	KENNEDY T. COSTALES EXECUTIVE DIRECTOR III	

LOAD SCHEDULE


TYPE OF SERVICE: 230V, 3 WIRES 60HZ SINGLE PHASE			FEEDER CONDUCTOR 2-8.0 mm ² & 1-5.5 mm ² THW Stranded Wire in 32 mmØ RSC							
CIRCUIT NUMBER	DESCRIPTION OF LOAD	VA LOAD	CURRENT	CIRCUIT BREAKER			CONDUCTOR		CONDUIT	
				POLE	FRAME	TRIP	SIZE	TYPE	DIAMETER	TYPE
1	5 X 100W LIGHT	500	2.17	2	50	15 A	2 - 2.0 mm ² & 1 - 2.0 mm ² (G)	THHN	13 mm	uPVC
2	7 X 100W LIGHT	700	3.04	2	50	15 A	2 - 2.0 mm ² & 1 - 2.0 mm ² (G)	THHN	13 mm	uPVC
3	2-7 X 180W CONVENIENCE OUTLET	2,520	10.96	2	50	20 A	2 - 3.5 mm ² & 1 - 3.5 mm ² (G)	THHN	20 mm	uPVC
4	2-8 X 180W CONVENIENCE OUTLET (spare)	2,880	12.52							
5	2-8 X 180W CONVENIENCE OUTLET (spare)	2,880	12.52							
6	2-8 X 180W CONVENIENCE OUTLET (spare)	2,880	12.52							
TOTAL PHASE CURRENT		12360	53.74							

1 E-4 LINE DIAGRAM



COMPUTATION

$I_t = 12.36 \text{ kVA} / (230 \text{ V}) = 53.74 \text{ A} \times 80\% \text{ DEMAND FACTOR} = 43 \text{ A}$
USE 2 - 8.0 mm² & 1 - 5.5 mm² THW STRANDED COPPER WIRE IN 32 mmØ RSC

OWNER  PHILIPPINE FIBER INDUSTRY DEVELOPMENT AUTHORITY 3/F DA-PCAF BLDG., DEPARTMENT OF AGRICULTURE ELLIPTICAL ROAD, DILIMAN, QUEZON CITY	PROJECT TITLE/LOCATION CONSTRUCTION OF ABACA TUXY BUYING CENTER BUILDINGS/FACILITIES	SHEET CONTENTS	DRAWN / PREPARED & DESIGNED BY:	REVIEWED	RECOMMENDING APPROVAL	APPROVED	E3 14
		AS SHOWN	ENGR. ROMY ALVARO D. DOMINGO / ENGR. ORLANDO D. COCAL LIC.# 7474 FDO III / OIC-TAD 3495	ENGR. JEMAR R. RODIS ENGINEER II	ENGR. MARIETA A. RODRIGUEZ OIC - IFED	KENNEDY T. COSTALES EXECUTIVE DIRECTOR III	