


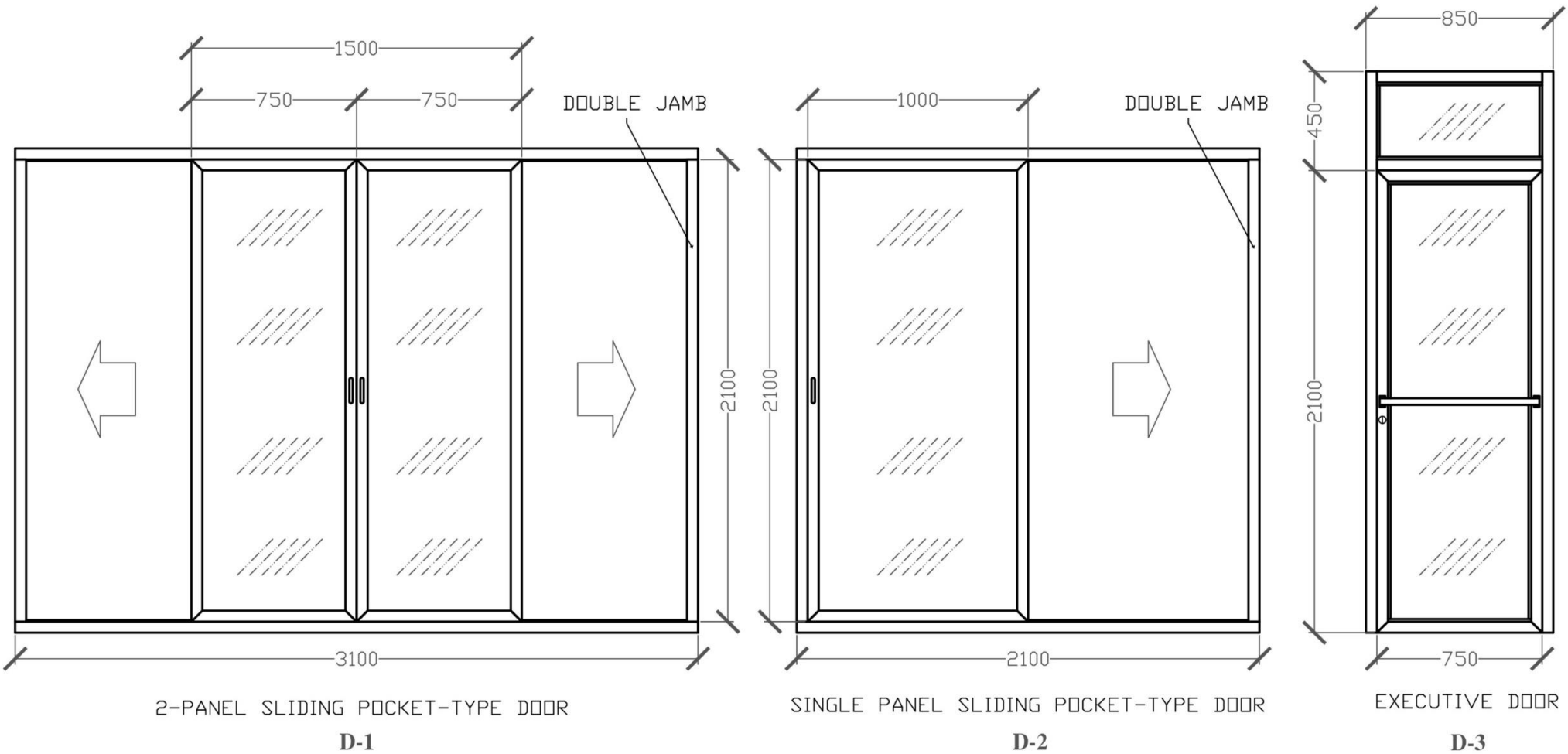
1 FRONT ELEVATION
SCALE 1:50 MM

SPOT DETAIL A
SCALE (1:40)

2 RIGHT SIDE ELEVATION
SCALE 1:50 MM

NOTES:
All dimension is in mm, or unless otherwise specified.
It shall be the contractor's responsibility to provide adequate shoring and bracing of the structure for all loads that maybe imposed during construction.
Contractor shall verify all dimensions before all works is to begin.
Subject to actual verifications.

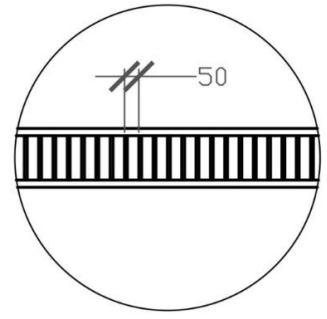
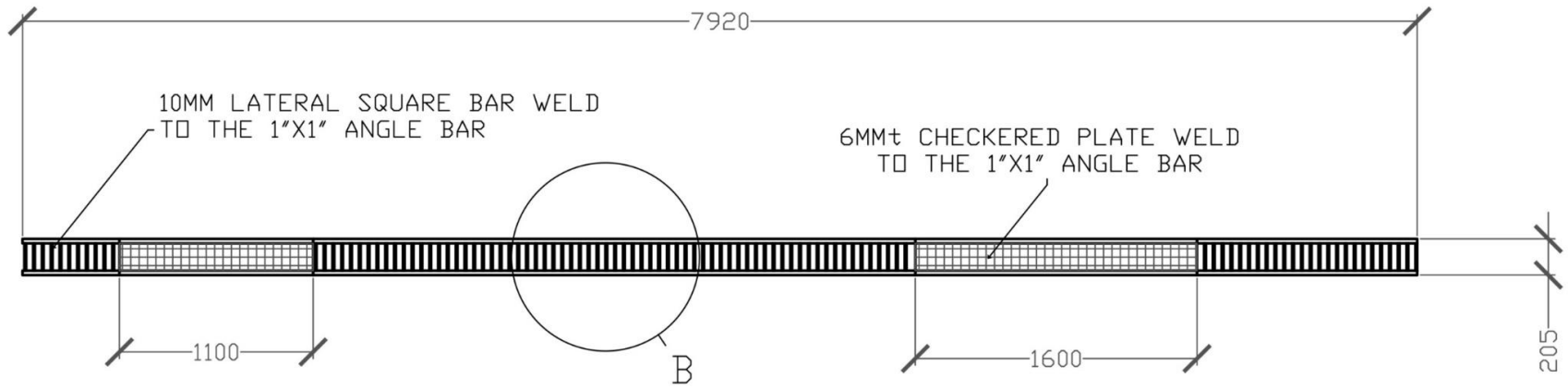
 <p>PHILIPPINE FIBER INDUSTRY DEVELOPMENT AUTHORITY 3/F PCAF BUILDING, DA COMPOUND, ELLIPTICAL ROAD DILIMAN, QUEZON CITY</p>	<p>PROJECT TITLE: FPUL WET LAB ENCLOSURE</p>	<p>SHEET CONTENTS: AS SHOWN</p>	<p>DRAWN BY: ENGR. CLARK B. BARQUILLA</p>	<p>RECOMMENDING APPROVAL: REMEDIOS V. ABGONA, PhD CHIEF, FIBER UTILIZATION AND TECHNOLOGY DIVISION</p>	<p>APPROVED BY: KENNEDY T. COSTALES EXECUTIVE DIRECTOR III</p>	<p>SHEET NO.: A-4 4 6</p>
			<p>CHECKED BY: ENGR. RAMIL B. BARCELONA</p>			



1 DOOR DETAIL
A-5 SCALE 1:20 MM

NOTES:
All dimension is in mm, or unless otherwise specified.
It shall be the contractor's responsibility to provide adequate shoring and bracing of the structure for all loads that maybe imposed during construction.
Contractor shall verify all dimensions before all works is to begin.
Subject to actual verifications.


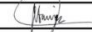
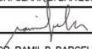
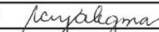
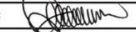
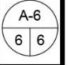
<p>PHILIPPINE FIBER INDUSTRY DEVELOPMENT AUTHORITY 3/F PCAF BUILDING, DA COMPOUND, ELLIPTICAL ROAD DILIMAN, QUEZON CITY</p>	<p>PROJECT TITLE: FPUL WET LAB ENCLOSURE BAI COMPOUND, VISAYAS AVENUE, VASRA, QUEZON CITY</p>	<p>SHEET CONTENTS: AS SHOWN</p>	<p>DRAWN BY: ENGR. CLARK B. BARQUILLA</p>	<p>RECOMMENDING APPROVAL: REMEDIOS V. ABGONA, PhD CHIEF, FIBER UTILIZATION AND TECHNOLOGY DIVISION</p>	<p>APPROVED BY: KENNEDY T. COSTALES EXECUTIVE DIRECTOR III</p>	<p>SHEET NO.: A-5 5 6</p>
			<p>CHECKED BY: ENGR. RAMIL B. BARCELONA</p>			



1 FLOOR GRATE DETAIL
A-6 SCALE 1:20 MM

SPOT DETAIL B
SCALE (1:20)

NOTES:
All dimension is in mm, or unless otherwise specified.
It shall be the contractor's responsibility to provide adequate shoring and bracing of the structure for all loads that maybe imposed during construction.
Contractor shall verify all dimensions before all works is to begin.
Subject to actual verifications.

OWNER:  PHILIPPINE FIBER INDUSTRY DEVELOPMENT AUTHORITY <small>3/F PCAF BUILDING, DA COMPOUND, ELLIPTICAL ROAD, DULAMAN, QUEZON CITY</small>	PROJECT TITLE: FPUL WET LAB ENCLOSURE <small>BAI COMPOUND, VISAYAS AVENUE, VASRA, QUEZON CITY</small>	SHEET CONTENTS: AS SHOWN	DRAWN BY:  <small>ENGR. CLARK B. BARQUILLA</small> CHECKED BY:  <small>ENGR. RAMIL B. BARCELONA</small>	RECOMMENDING APPROVAL:  <small>REMEDIOS V. ABGONA, PhD</small> <small>CHIEF, FIBER UTILIZATION AND TECHNOLOGY DIVISION</small>	APPROVED BY:  <small>KENNEDY T. COSTALES</small> <small>EXECUTIVE DIRECTOR III</small>	SHEET NO.: 
---	--	------------------------------------	--	--	--	---