

MASK
Isometric view
 SCALE(20X30)
 SCALE(A3)

NTS
 NTS

OWNER

PHILIPPINE FIBER INDUSTRY
 DEVELOPMENT AUTHORITY
 3/F DA-PCAF BLDG., DEPARTMENT OF AGRICULTURE
 ELLIPTICAL ROAD, DILIMAN, QUEZON CITY

PROJECT TITLE/LOCATION
 Modified Abaca Stripping Knife
 (MASK)

SHEET CONTENTS
 AS SHOWN

PREPARED & DESIGN BY
 ENGR. ROMY ALVIN D. DOMINGO
 FDO II

REVIEWED
 ENGR. IRMA ROLLON RODIS
 ENGR. II

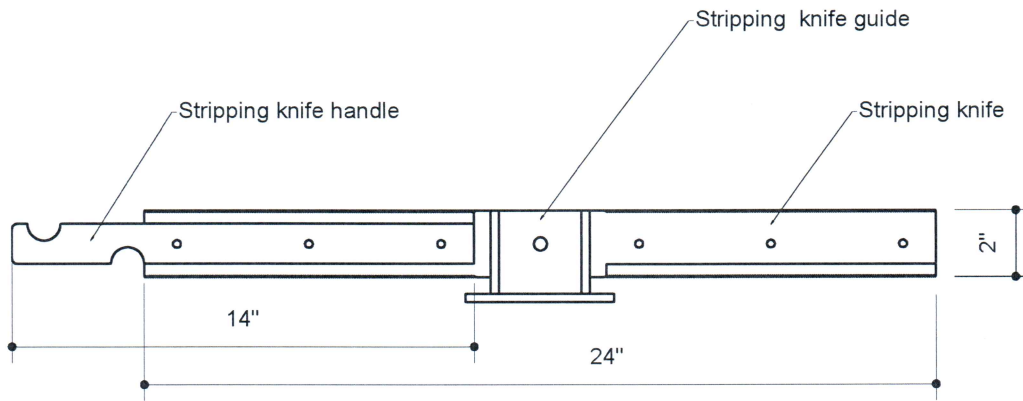
RECOMMENDING APPROVAL
 ENGR. MARIE A. RODRIGUEZ
 DIC - FEO

APPROVED
 KENNEDY BOSTALES
 EXECUTIVE DIRECTOR

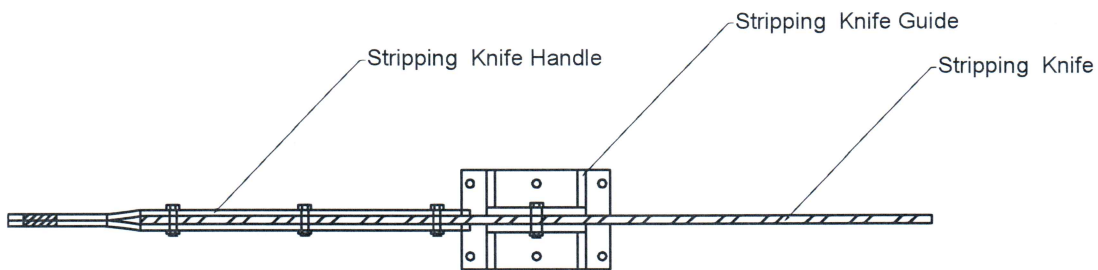
SHEET NO
 M1
 4



MODIFIED ABACA STRIPPING KNIFE



A
MASK
Front View
 SCALE(20X30)
 SCALE(A3)
 NTS
 NTS



B
MASK
Top View
 SCALE(20X30)
 SCALE(A3)
 NTS
 NTS

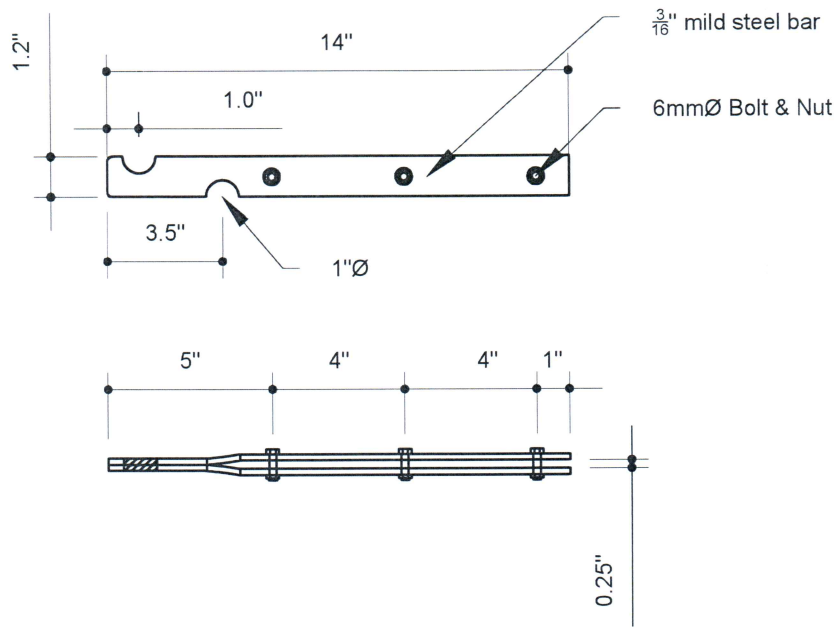
Note:

All dimension is in inches, unless other wise specified

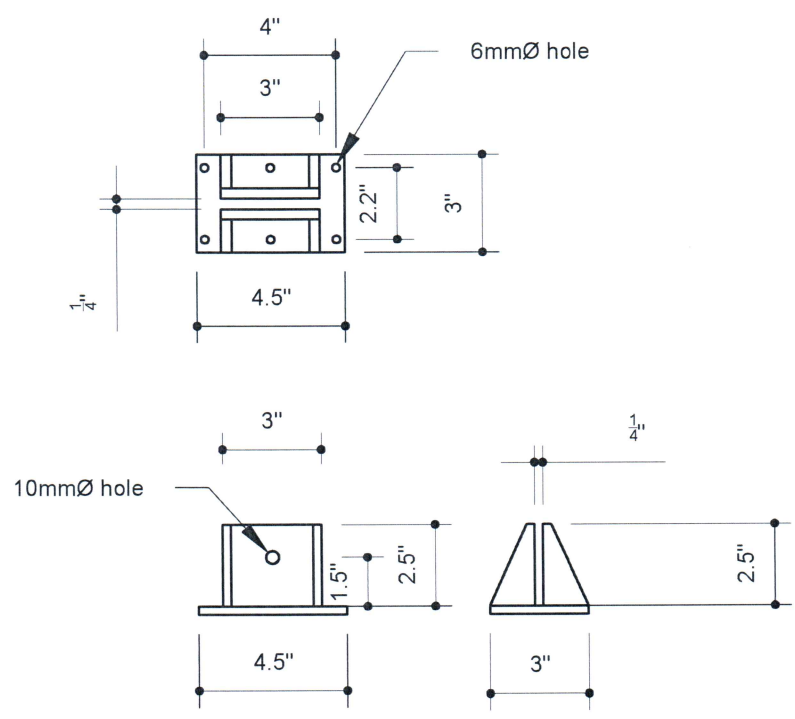
- Stripping Blade : $\frac{1}{4}$ " thk hardened steel with 50 HRC
- Stripping Handle : $2 - \frac{3}{16}$ " thk mild steel bar
- Stripping Guide : $\frac{1}{4}$ " thk mild steel bar
- Bolt and nut : standard grade steel

[Handwritten signature]

OWNER	PHILIPPINE FIBER INDUSTRY DEVELOPMENT AUTHORITY 3/F DA-PCAF BLDG. DEPARTMENT OF AGRICULTURE ELLIPTICAL ROAD, CULMAN, QUEZON CITY	PROJECT TITLE/LOCATION	Modified Abaca Stripping Knife (MASK)	SHEET CONTENTS	AS SHOWN	PREPARED & DESIGN BY	ENGR. ROMYAN W. D. DOMINGO FDO II	REVIEWED	ENGR. IRMA ROLLON RODIS ENGR. II	RECOMMENDING APPROVAL	ENGR. MARIEA A. RODRIGUEZ OIC - FIED	APPROVED	KENNEDY COSTALES EXECUTIVE DIRECTOR	SHEET NO.	M2	4
-------	--	------------------------	---------------------------------------	----------------	----------	----------------------	--------------------------------------	----------	-------------------------------------	-----------------------	---	----------	--	-----------	----	---

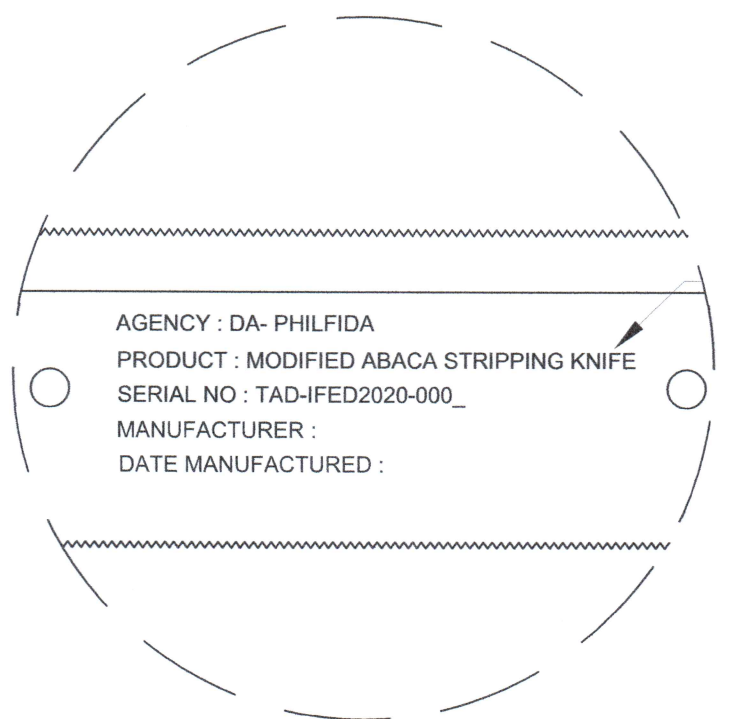
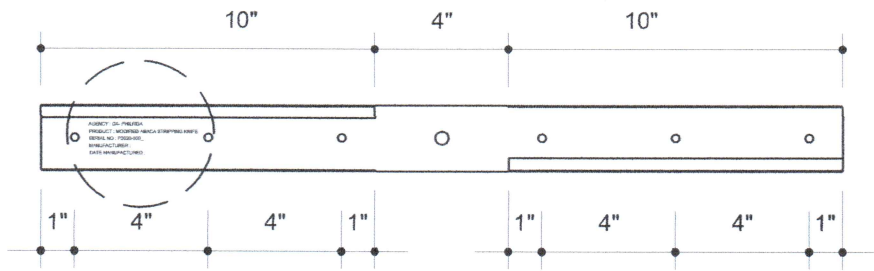


A MASK
 Details of Stripping Knife Handle
 SCALE(20X30)
 SCALE(A3)
 NTS
 NTS



B MASK
 Details of Stripping Knife Guide
 SCALE(20X30)
 SCALE(A3)
 NTS
 NTS

OWNER	PHILIPPINE FIBER INDUSTRY DEVELOPMENT AUTHORITY 3/F DA'PAF BLDG., DEPARTMENT OF AGRICULTURE ELLIPTICAL ROAD, DUMAYAN, QUEZON CITY	PROJECT TITLE/LOCATION	Modified Abaca Stripping Knife (MASK)	SHEET CONTENTS	AS SHOWN	PREPARED & DESIGN BY	ENGR. ROMALVIN D. DOMINGO FDO-II	REVIEWED	ENGR. IRMA ROLLON RODRIS ENGR II	REVISIONS/APP'VAL	ENGR. MARIETA RODRIGUEZ QC-IFED	APPROVED	KENNEDY STALES EXECUTIVE DIRECTOR	SHEET NO.	M4 4
-------	---	------------------------	---------------------------------------	----------------	----------	----------------------	-------------------------------------	----------	-------------------------------------	-------------------	------------------------------------	----------	--------------------------------------	-----------	---------



Laser Engrave



MASK
Details of PhilFIDA Markings
 SCALE(20X30)
 SCALE(A3)
 NTS
 NTS

PHILIPPINE FIBER INDUSTRY DEVELOPMENT AUTHORITY 3F DANACOR BLDG., DEPARTMENT OF AGRICULTURE ELLIPTICAL ROAD, DILIMAN, QUEZON CITY	PROJECT TITLE/LOCATION Modified Abaca Stripping Knife (MASK)	SHEET CONTENTS AS SHOWN	PREPARED & DESIGN BY: ENGR. ROMY ALVIN D. DOMINGO FDO II	REVIEWED ENGR. MARLON RODRIGUEZ ENGR. II	APPROVED ENGR. MARIETA A. RODRIGUEZ OIC - IFED	SHEET NO. M5 5
--	--	----------------------------	--	--	--	----------------------