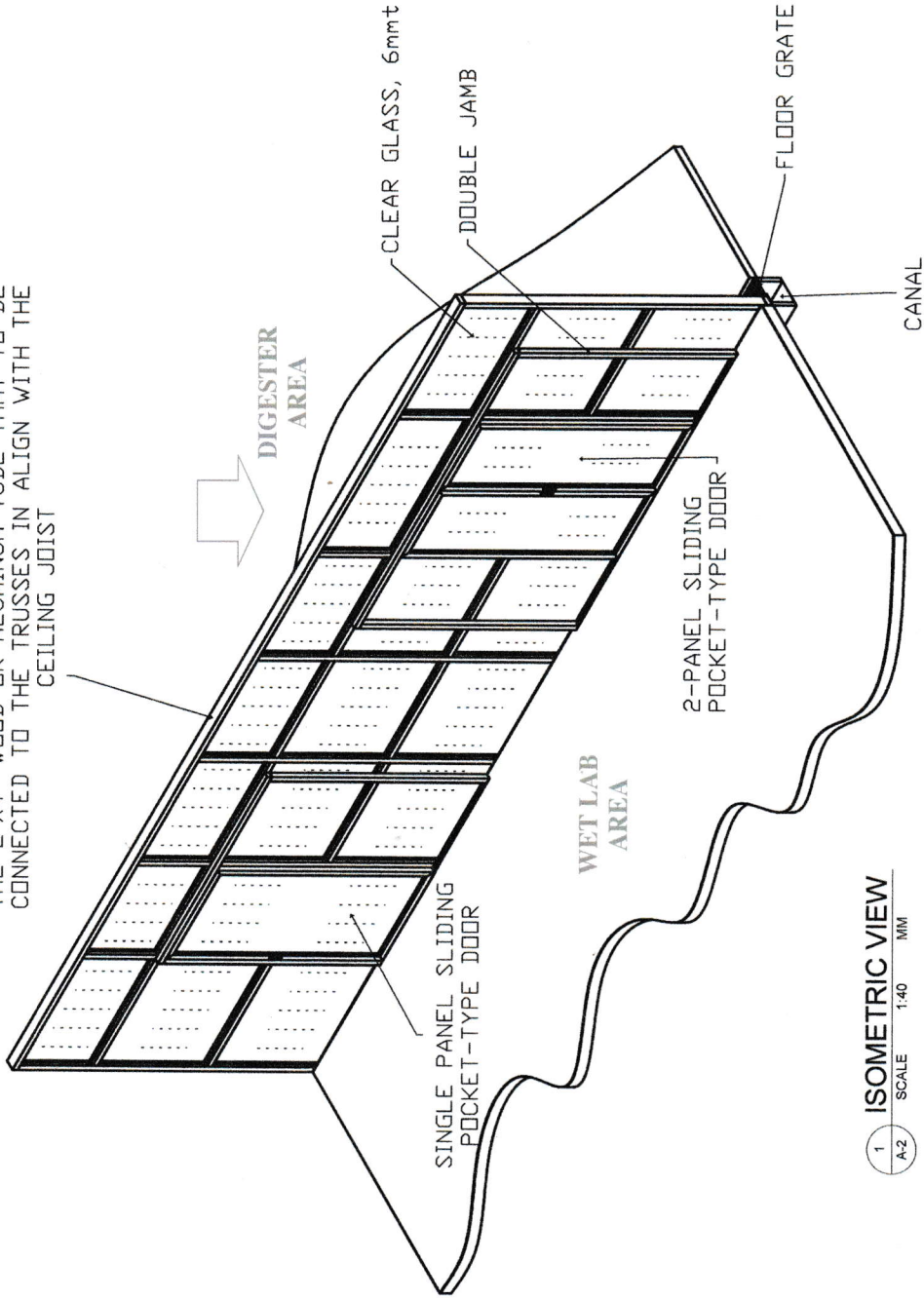


1
A-1 NOT DRAWN TO SCALE

[Handwritten Signature]
KENNEDY, ROOSTALES
EXECUTIVE DIRECTOR III

| | | | | | | | | |
|--|--|--|-----------------------------------|--|---|---|--|----------------------------------|
| | PHILIPPINE FIBER INDUSTRY DEVELOPMENT AUTHORITY 3F POFA BUILDING, DA COMPOUND, ELLIPTICAL ROAD DUMAY, QUEZON CITY | PROJECT TITLE FPUL WET LAB ENCLOSURE 9A COMPOUND, VIGAYAS AVENUE, VASRA, QUEZON CITY | SHEET CONTENTS AS SHOWN | DRAWN BY: <i>[Signature]</i> ENGR. MARICEL ROSCILLA | CHECKED BY: <i>[Signature]</i> ENGR. RAMIL B. BACELONA | RECOMMENDING APPROVAL: <i>[Signature]</i> REMEDIOS V. ABGON, PhD CHIEF, F&E UTILIZATION AND TECHNOLOGY DIVISION | APPROVED: <i>[Signature]</i> KENNEDY, ROOSTALES EXECUTIVE DIRECTOR III | SHEET NO. A-1 1 8 |
|--|--|--|-----------------------------------|--|---|---|--|----------------------------------|

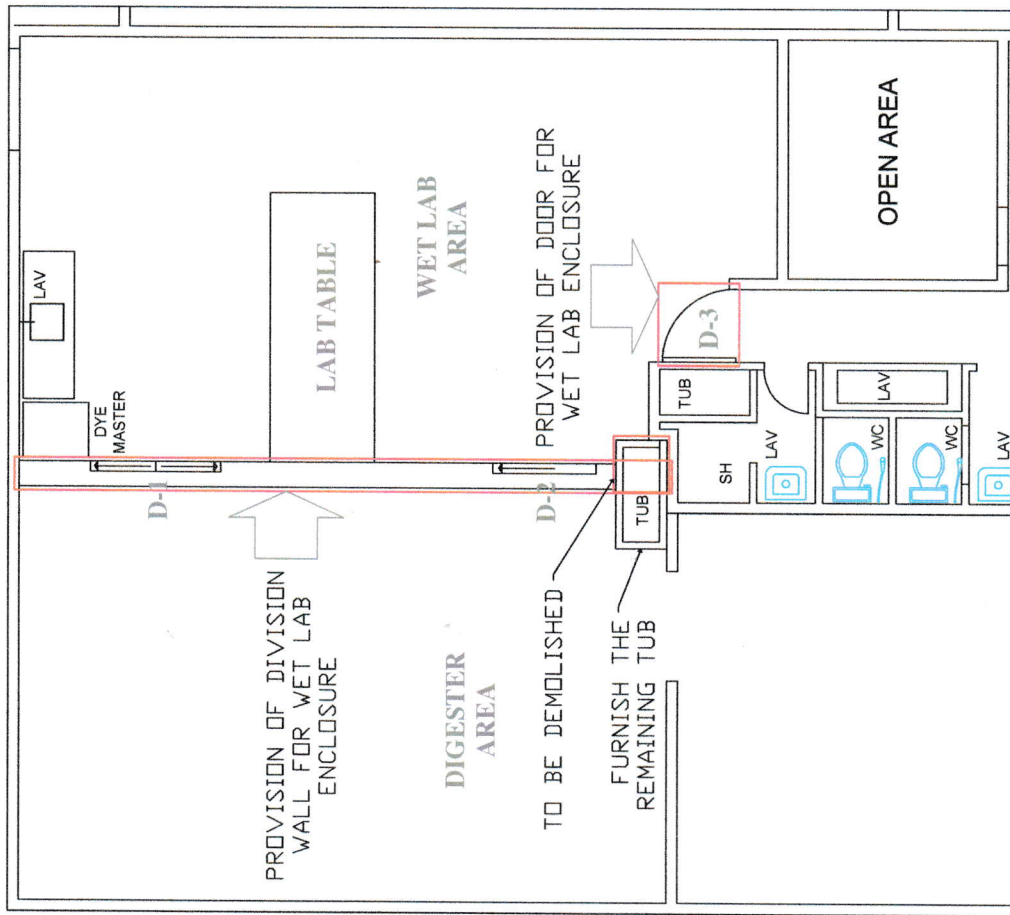
2"x4" ALUMINUM TUBE TO BE SCREWED/WELDED TO THE 2"x4" WOOD OR ALUMINUM TUBE THAT TO BE CONNECTED TO THE TRUSSES IN ALIGN WITH THE CEILING JOIST



1 ISOMETRIC VIEW
A-2 SCALE 1:40 MM

| | | | | | | |
|--|--|----------------------------|-------------------------------------|--|---|------------------|
| OWNER PHILIPPINE FIBER INDUSTRY DEVELOPMENT AUTHORITY 3/F POF BUILDING DA COMPOUND, ELLIPTICAL ROAD DUMAY, QUEZON CITY | PROJECT TITLE FPUL WET LAB ENCLOSURE 3M COMPOUND, VISAYAS AVENUE, VASRA, QUEZON CITY | SHEET CONTENTS AS SHOWN | DRAWN BY ENR. RAYLA B. BACULLA | RECOMMENDING APPROVAL REMEDIOS Y ABGONIA, PHD CHIEF, FIBER UTILIZATION AND TECHNOLOGY DIVISION | APPROVED BY KENEDY L. GARCIA EXECUTIVE DIRECTOR III | SHEET NO. A-2 |
| | | | CHECKED BY ENR. RAYLA B. BACULLA | | | 2 6 |

[Handwritten signature]

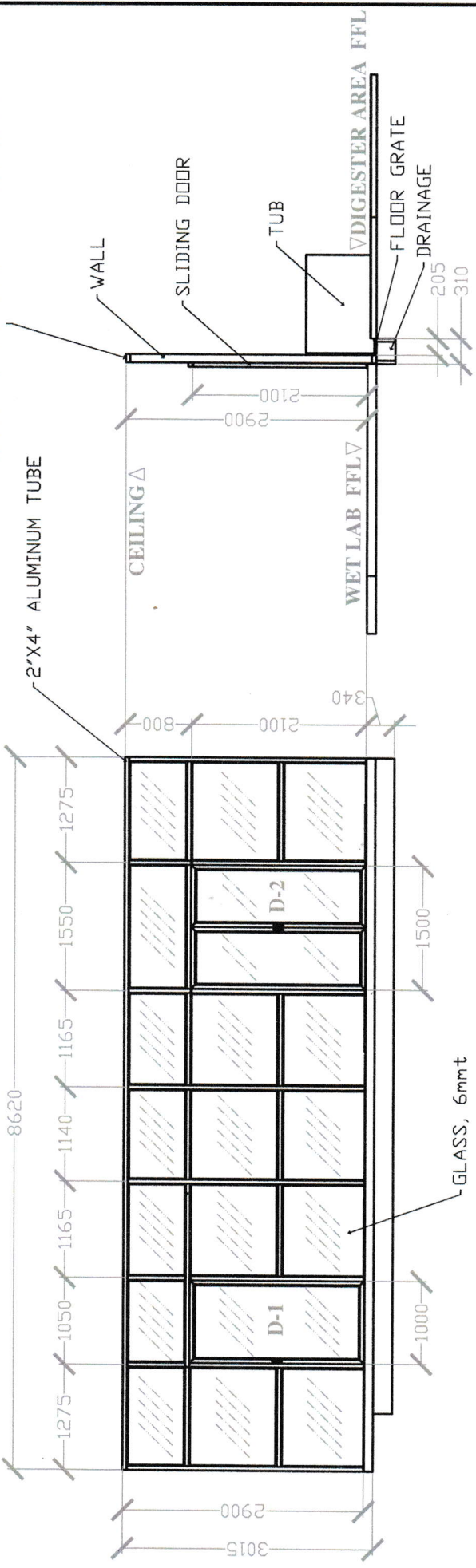


1 A-3 NOT DRAWN TO SCALE
LAYOUT PLAN

NOTES:
 All dimension is in mm, or unless otherwise specified.
 It shall be the contractor's responsibility to provide and bearing and loading on the structure for all loads that may be imposed during construction.
 Contractor shall verify all dimensions before all works is to begin.
 Subject to actual verifications.

| | | | | | | | | |
|--|---|---|--|--|--|---|--|--|
| | PHILIPPINE FIBER INDUSTRY DEVELOPMENT AUTHORITY <small>3F PCOF BUILDING, DA COMPOUND, ELLIPTICAL ROAD, DUMANAY, QUEZON CITY</small> | PROJECT TITLE FPUL WET LAB ENCLOSURE <small>8M COMPOUND, VISAYAS AVENUE, NAUSA, QUEZON CITY</small> | SHEET CONTENTS AS SHOWN | DRAWN BY: <small>ENR. RAUL BARCELONA</small> | CHECKED BY: <small>ENR. RAUL BARCELONA</small> | RECOMMENDING APPROVAL: <small>REMEDIOS A. ABOGAL, PhD</small> <small>CHEF, FIBER UTILIZATION AND TECHNOLOGY DIVISION</small> | APPROVED BY: <small>KENNEDY J. ABOGAL</small> <small>ENGINEER IN CHARGE III</small> | SHEET NO. A-3 3 6 |
|--|---|---|--|--|--|---|--|--|

2"X4" ALUMINUM TUBE TO BE SCREWED/WELDED TO THE 2"X4" WOOD OR ALUMINUM TUBE TO BE CONNECTED TO THE TRUSSES ALIGN WITH THE CEILING JOIST

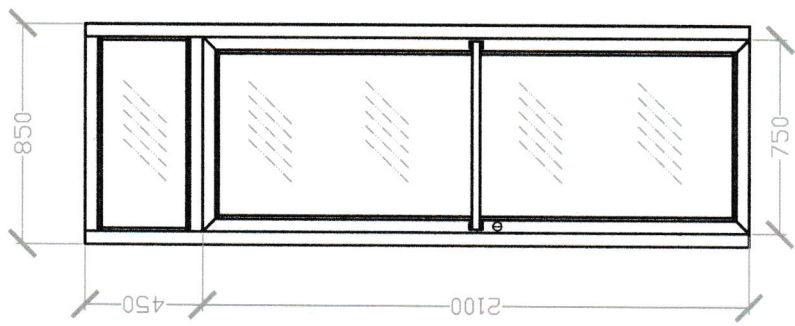


1 FRONT ELEVATION
SCALE 1:50 MM

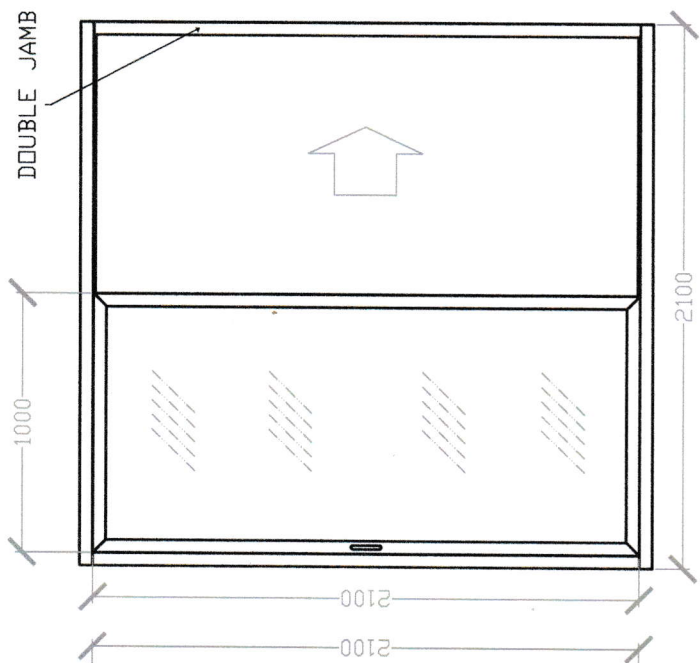
2 RIGHT SIDE ELEVATION
SCALE 1:50 MM

NOTES:
All dimension is in mm, or unless otherwise specified.
It shall be the contractor's responsibility to provide adequate shoring and bracing of the structure for all loads that may be imposed during construction.
Contractor shall verify all dimensions before all works is to begin.
Subject to actual verifications.

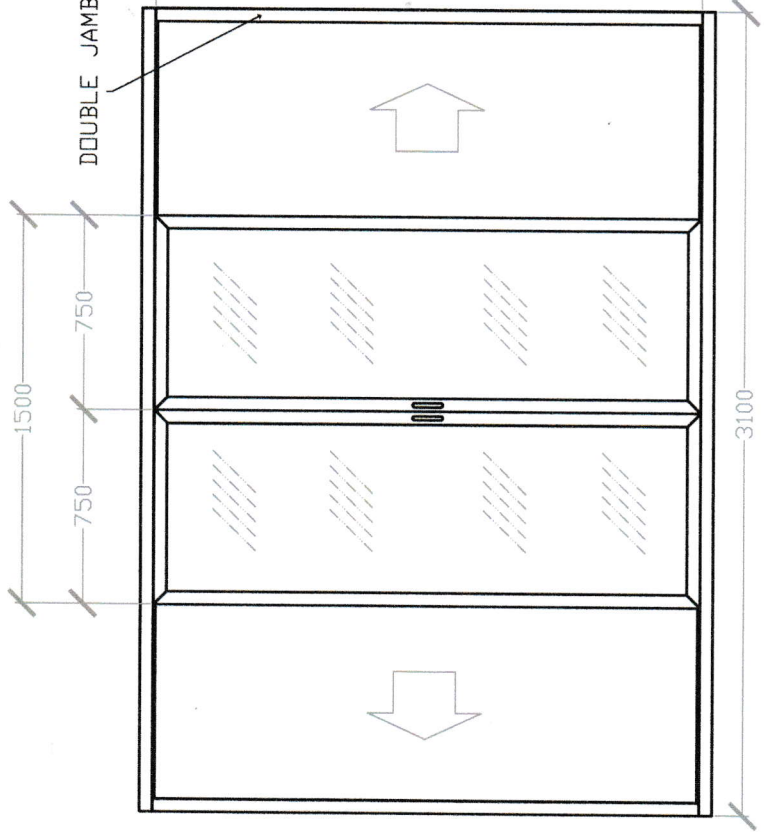
| | | | | | | | |
|--|--|--|-----------------------------------|--|---|-------------------------|--------------------------------|
| | OWNER PHILIPPINE FIBER INDUSTRY DEVELOPMENT AUTHORITY 3/F POAF BUILDING DA COMPOUND, ELLIPTICAL ROAD, DUMAGUAY, QUEZON CITY | PROJECT TITLE FPUL WET LAB ENCLOSURE 8M COMPOUND, VISAYAS AVENUE, MARIÑA, QUEZON CITY | SHEET CONTENTS AS SHOWN | DRAWN BY: ENGR. CHARLIE B. BASULLA | RECOMMENDING APPROVAL: REMEDIOS M. ABSOGON, PhD CHIEF, FIBER UTILIZATION AND TECHNOLOGY DIVISION | APPROVED BY: | SHEET NO. A-4 4/8 |
|--|--|--|-----------------------------------|--|---|-------------------------|--------------------------------|



EXECUTIVE DOOR
D-3



SINGLE PANEL SLIDING POCKET-TYPE DOOR
D-2

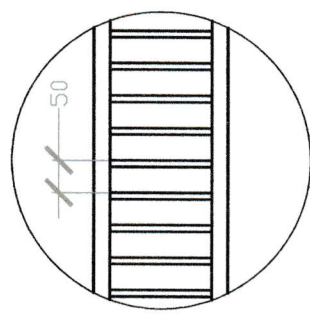
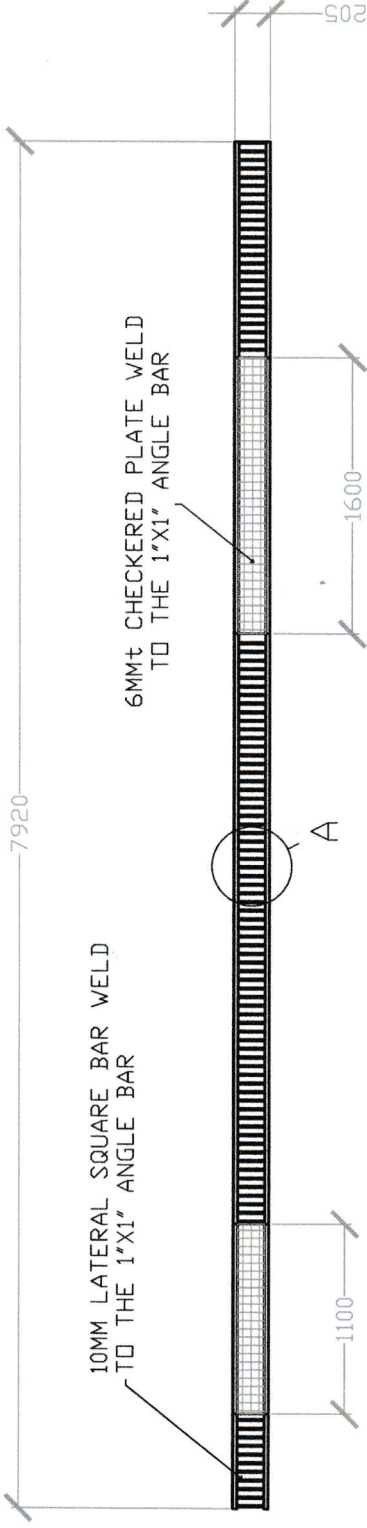


2-PANEL SLIDING POCKET-TYPE DOOR
D-1

1 DOOR DETAIL
A-5 SCALE 1:20 MM

NOTES:
All dimension is in mm, or unless otherwise specified.
It shall be the contractor's responsibility to provide the engineering and proofing of the structure for all loads that may be imposed during construction.
Contractor shall verify all dimensions before all works is to begin.
Subject to actual verifications.

| | | | | | | |
|--|---|-----------------------------------|--|---|---|---|
| PHILIPPINE FIBER INDUSTRY DEVELOPMENT AUTHORITY 3/F PFA BUILDING, DA COMPOUND, ELLIPTICAL ROAD, DUMAY, QUEZON CITY | PROJECT TITLE FPUL WET LAB ENCLOSURE 8A COMPOUND, VISAYAS AVENUE, VASRA, QUEZON CITY | SHEET CONTENTS AS SHOWN | DRAWN BY: ENGR. RAMIL G. BASELONA | RECOMMENDING APPROVAL: REMEDIOS Y. ABGONA PHD CHIEF, FIBER UTILIZATION AND TECHNOLOGY DIVISION | APPROVED BY: KENNEDY T. ... CHIEF, FIBER UTILIZATION AND TECHNOLOGY DIVISION | SHEET NO. A-5 5 8 |
| | | | | | | |



SPOT DETAIL A
SCALE (1:8)

1
A-6
SCALE 1:20
MM
FLOOR GRATE DETAIL

NOTES:
 All dimension is in mm, or unless otherwise specified.
 It shall be the contractor's responsibility to provide adequate shoring and bracing of the structure for all loads that may be imposed during construction.
 Contractor shall verify all dimensions before all works is to begin.
 Subject to actual verifications.

| | | | | | |
|---|--|--|---|---|--|
| <p>PHILIPPINE FIBER INDUSTRY DEVELOPMENT AUTHORITY 3F PCF BLDG. DAL COMPOUND, ELLIPTICAL ROAD, DULUAN, QUEZON CITY</p> | <p>PROJECT TITLE FPUL WET LAB ENCLOSURE BA COMPOUND, VISAYAS AVENUE, NAUSA, QUEZON CITY</p> | <p>SHEET CONTENTS AS SHOWN</p> | <p>DRAWN BY: <i>[Signature]</i> CHECKED BY: <i>[Signature]</i> ENGINEER: <i>[Signature]</i> ENGR. DANIEL S. PECERONA</p> | <p>RECOMMENDING APPROVAL: REMEDIOS M. ABOGAY, PhD CHIEF, FIBER UTILIZATION AND TECHNOLOGY DIVISION</p> | <p>APPROVED BY: <i>[Signature]</i> KENNEDY T. [Signature] SENIOR ENGINEER III</p> <p>SHEET NO. A-8 8 / 8</p> |
|---|--|--|---|---|--|