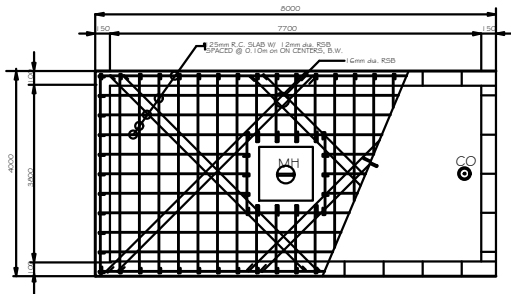


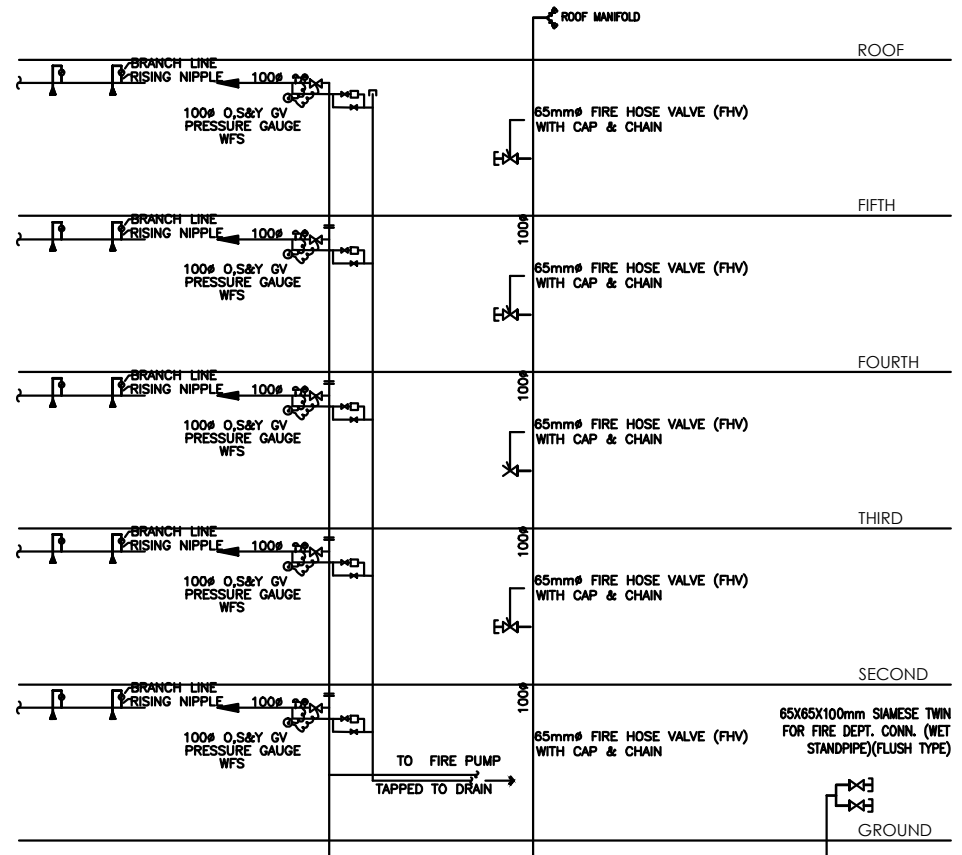
DETAIL SECTION OF CISTERN TANK

DET. PLAN OF COVER



DETAIL PLAN OF CISTERN TANK

3
M-3
SCALE
1 : 50 M



4
M-3
SCALE
1 : 100 M