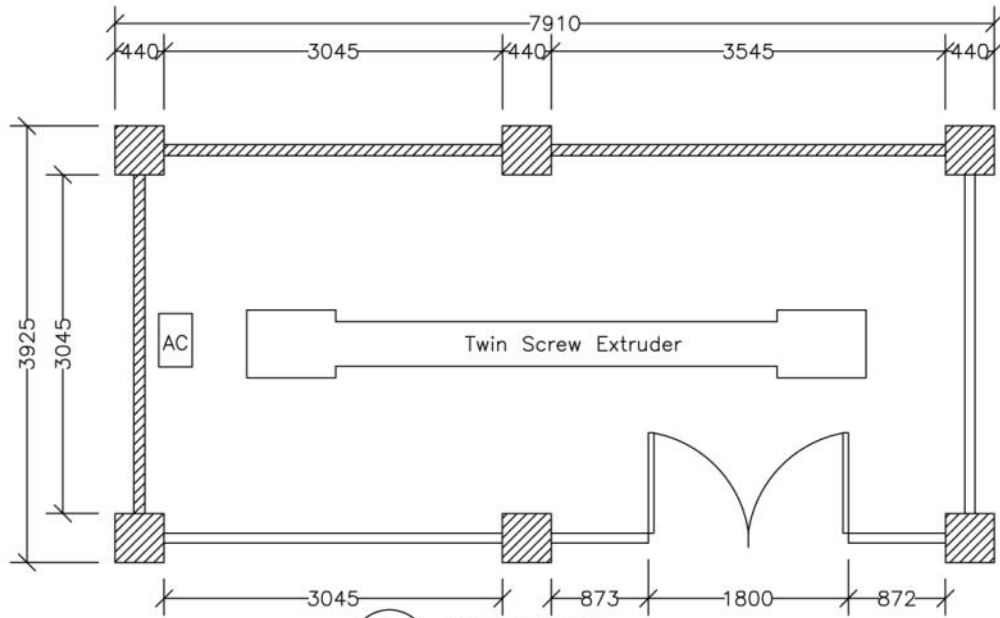


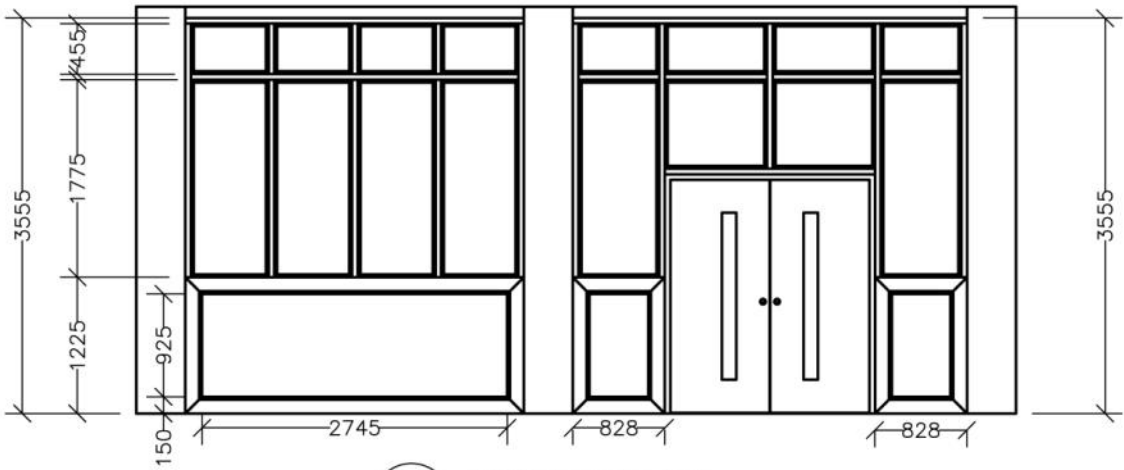
PERSPECTIVE VIEW

Note: Subject to actual verification

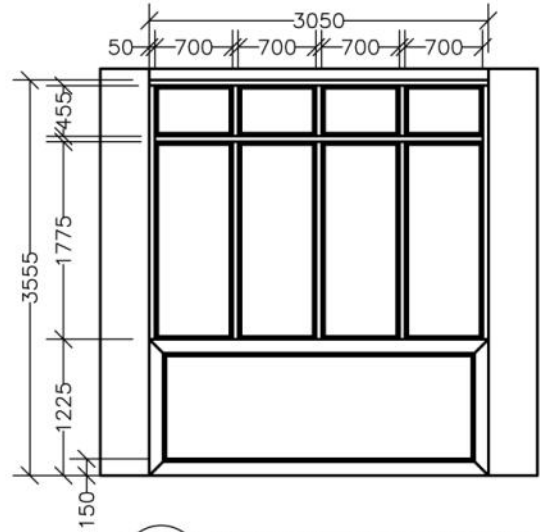
<p>OWNER</p>  <p>PHILIPPINE FIBER INDUSTRY DEVELOPMENT AUTHORITY 3F DA-PCAF BLDG., DEPARTMENT OF AGRICULTURE ELLIPTICAL ROAD, DILIMAN, QUEZON CITY</p>	<p>PROJECT TITLE/LOCATION</p> <p>PROPOSED ENCLOSURE FOR TWIN SCREW EXTRUDER BAI COMPOUND VIS. AVE. DILIMAN QUEZON CITY</p>	<p>SHEET CONTENTS</p> <p>AS SHOWN</p>	<p>DRAWN</p>  <p>ENGR. PEPITO M. SORIANO III</p> <p>CHKD.</p>  <p>ENGR. RAMIL B. BARCELONA</p>	<p>DESIGN</p> <p>PRC:</p> <p>PTR:</p> <p>TIN:</p> <p>DATE:</p>	<p>RECOMMENDING APPROVAL</p>  <p>REMEDIOS V. ABGONA, PhD CHIEF, FIBER UTILIZATION AND TECHNOLOGY DIVISION</p>	<p>APPROVED</p>  <p>KENNEDY T. COSTALES EXECUTIVE DIRECTOR</p>	<p>SHEET NO.</p> <p>A-1</p> <p>1 6</p>
---	---	---------------------------------------	--	--	---	--	--



1 FLOOR PLAN
A-2 SCALE 1:50 M



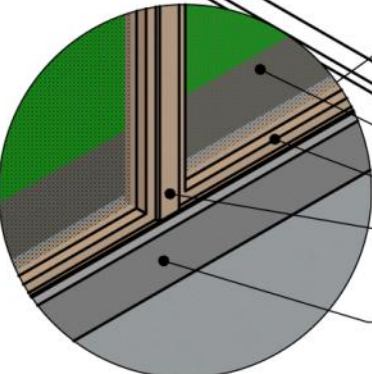
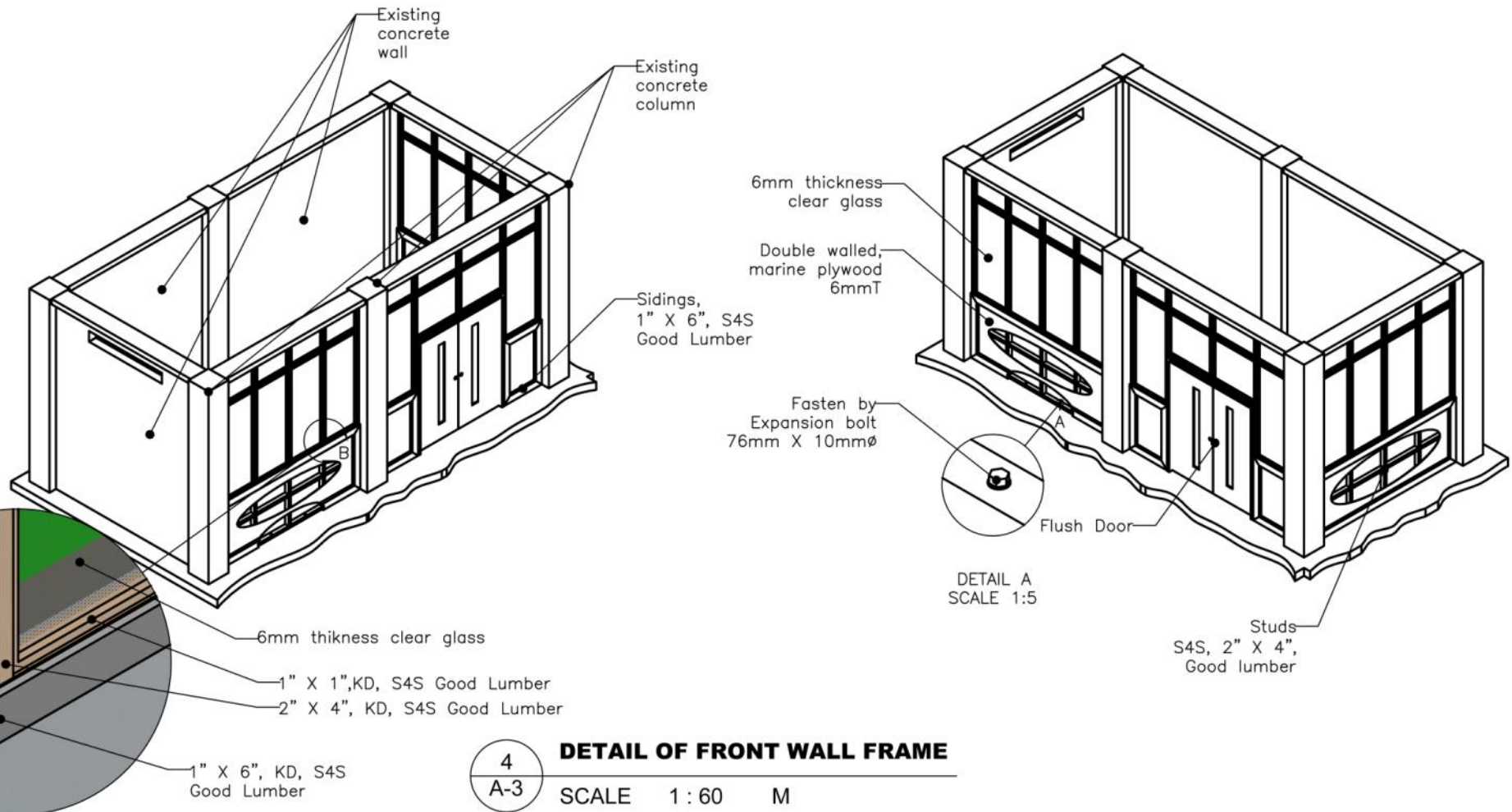
2 FRONT ELEVATION
A-2 SCALE 1:50 M



3 RIGHT SIDE ELEVATION
A-2 SCALE 1:50 M

Note: Subject to actual verification

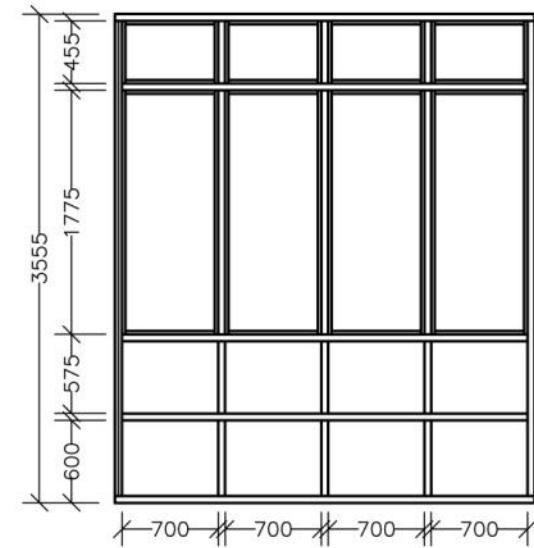
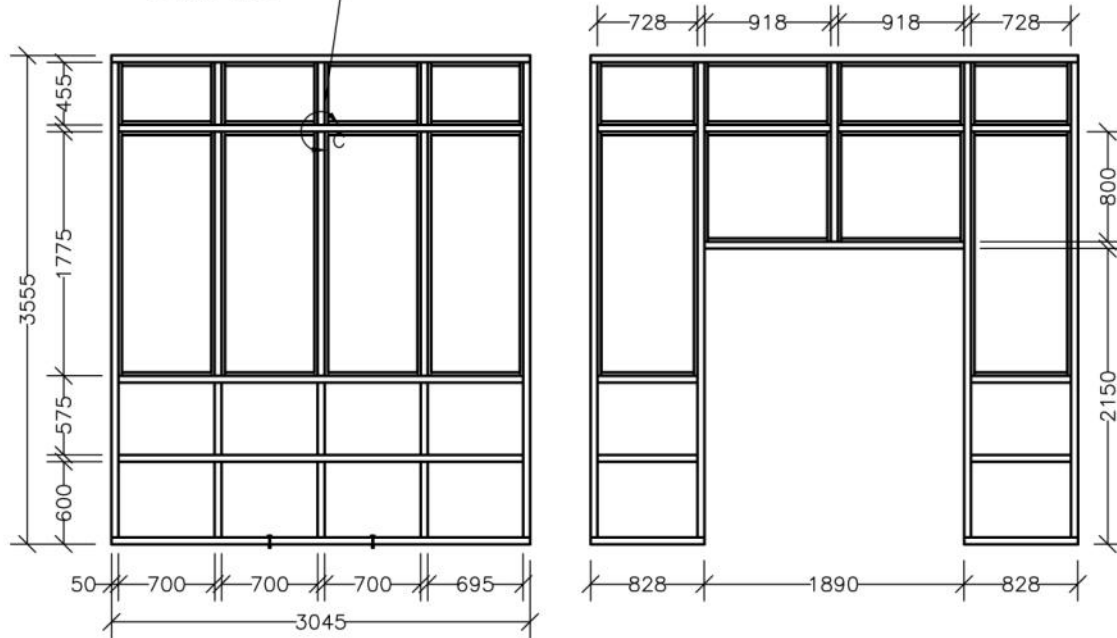
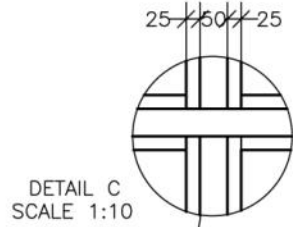
<p>PHILIPPINE FIBER INDUSTRY DEVELOPMENT AUTHORITY 3/F DA-PCAF BLDG., DEPARTMENT OF AGRICULTURE ELLIPTICAL ROAD, DILIMAN, QUEZON CITY</p>	<p>OWNER</p>	<p>PROJECT TITLE/LOCATION</p> <p>PROPOSED ENCLOSURE FOR TWIN SCREW EXTRUDER BAI COMPOUND VIS. AVE. DILIMAN QUEZON CITY</p>	<p>SHEET CONTENTS</p> <p>AS SHOWN</p>	<p>DRWN.</p> <p>ENGR. PEPITO M. SORIANO III</p>	<p>DESIGN</p>	<p>RECOMMENDING APPROVAL</p> <p><i>Remedios V. Abgona</i> REMEDIOS V. ABGONA, PhD CHIEF, FIBER UTILIZATION AND TECHNOLOGY DIVISION</p>	<p>APPROVED</p> <p><i>Kennedy T. Costales</i> KENNEDY T. COSTALES EXECUTIVE DIRECTOR</p>	<p>SHEET NO.</p> <p>A-2 26</p>
	<p>CHKD.</p> <p>ENGR. RAMIL B. BARCELONA</p>	<p>PRC</p> <p>PTR</p> <p>TIN</p> <p>DATE</p>	<p>DATE</p>	<p>DATE</p>	<p>DATE</p>			



4
A-3 **DETAIL OF FRONT WALL FRAME**
SCALE 1:60 M

Note: Subject to actual verification

<p>PHILIPPINE FIBER INDUSTRY DEVELOPMENT AUTHORITY 3F DA-PCAF BLDG., DEPARTMENT OF AGRICULTURE ELLIPTICAL ROAD, DILIMAN, QUEZON CITY</p>	<p>PROJECT TITLE/LOCATION PROPOSED ENCLOSURE FOR TWIN SCREW EXTRUDER BAI COMPOUND VIS. AVE. DILIMAN QUEZON CITY</p>	<p>SHEET CONTENTS AS SHOWN</p>	<p>DRWN ENGR. PEPITO M. SORIANO III</p>	<p>DESIGN</p>	<p>RECOMMENDING APPROVAL <i>Remedios V. Abgona</i> REMEDIOS V. ABGONA, PhD CHIEF, FIBER UTILIZATION AND TECHNOLOGY DIVISION</p>	<p>APPROVED <i>Kennedy T. Costales</i> KENNEDY T. COSTALES EXECUTIVE DIRECTOR</p>	<p>SHEET NO. A-3 3 6</p>
			<p>CHKD. ENGR. RAMIL B. BARCELONA</p>	<p>PRC. PTR. TIN. DATE</p>			

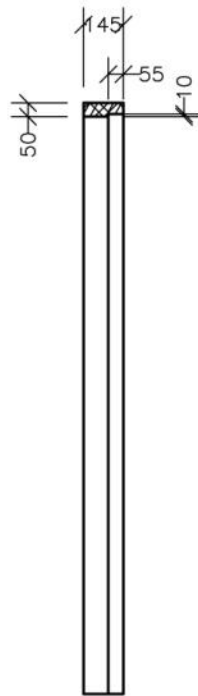
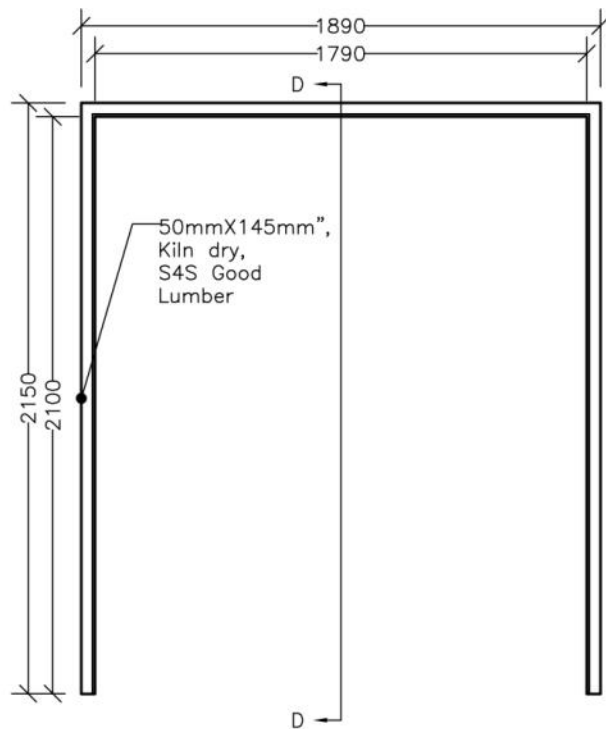


5 **DETAIL OF FRONT STUD**
A-4 SCALE 1 : 40 M

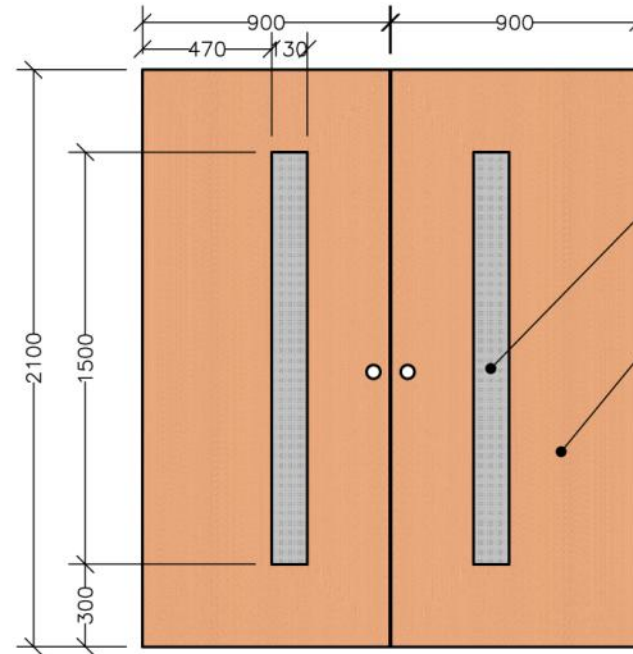
6 **DETAIL OF RIGHT SIDE STUD**
A-4 SCALE 1 : 40 M

Note: Subject to actual verification

 PHILIPPINE FIBER INDUSTRY DEVELOPMENT AUTHORITY <small>3/F DA-PCAF BLDG., DEPARTMENT OF AGRICULTURE ELLIPTICAL ROAD, DILIMAN, QUEZON CITY</small>	PROJECT TITLE/LOCATION PROPOSED ENCLOSURE FOR TWIN SCREW EXTRUDER BAI COMPOUND VIS. AVE. DILIMAN QUEZON CITY	SHEET CONTENTS AS SHOWN	DRAWN  ENGR. PEPITO M. SORIANO III	DESIGN PRC: PTR: TIN: DATE:	RECOMMENDING APPROVAL  REMEDIOS V. ABGONA, PhD <small>CHIEF, FIBER UTILIZATION AND TECHNOLOGY DIVISION</small>	APPROVED  KENNEDY T. COSTALES <small>EXECUTIVE DIRECTOR</small>	SHEET NO. A-4 4 6
	CHECKED  ENGR. RAMIL B. BARCELONA						



SECTION D-D
SCALE 1:20



Clear glass,
6mm thickness

6mmT, Marine plywood

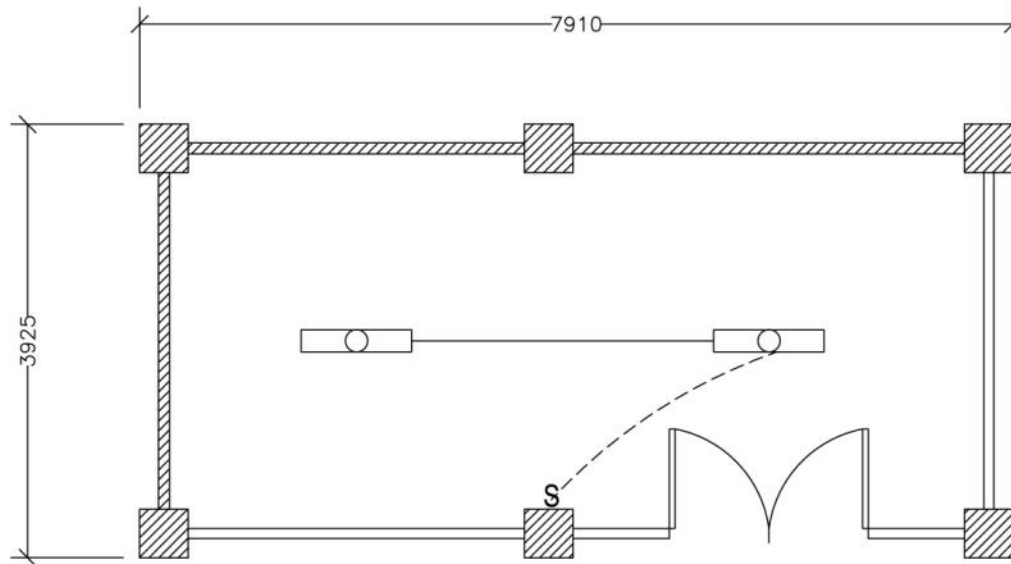
Note: Must be sleek in finished

7
A-5
DOOR JAMB DETAIL
SCALE 1:20 M

8
A-5
SCHEDULE OF DOOR
SCALE 1:20 M

Note: Subject to actual verification

<p>PHILIPPINE FIBER INDUSTRY DEVELOPMENT AUTHORITY 3/F DA-PCAF BLDG., DEPARTMENT OF AGRICULTURE ELLIPTICAL ROAD, DILIMAN, QUEZON CITY</p>	<p>PROJECT TITLE/LOCATION PROPOSED ENCLOSURE FOR TWIN SCREW EXTRUDER BAI COMPOUND VIS. AVE. DILIMAN QUEZON CITY</p>	<p>SHEET CONTENTS AS SHOWN</p>	<p>DRAWN ENGR. PEPITO M. SORIANO III</p>	<p>DESIGN</p>	<p>RECOMMENDING APPROVAL REMEDIOS V. ABGONA, PHD CHIEF, FIBER UTILIZATION AND TECHNOLOGY DIVISION</p>	<p>APPROVED KENNEDY T. COSTALES EXECUTIVE DIRECTOR</p>	<p>SHEET NO. A-5 5 6</p>
			<p>CHECKED ENGR. RAMIL B. BARCELONA</p>	<p>PRC: PTR: TIN: DATE:</p>	<p>APPROVED</p>	<p>SHEET NO.</p>	



1
E-1
LIGHTING LAYOUT
 SCALE 1 : 50 M

LEGEND:



1-16 WATTS S-COB LED LOUVER
 ANODIZED ALUMINUM REFLECTOR
 SIMILAR TO FUMACO MODENA MODEL
 DROP LIGHT



SWITCH

Note: Subject to actual verification

OWNER PHILIPPINE FIBER INDUSTRY DEVELOPMENT AUTHORITY <small>3/F DA-PCAF BLDG., DEPARTMENT OF AGRICULTURE ELLIPTICAL ROAD, DILIMAN, QUEZON CITY</small>	PROJECT TITLE/LOCATION PROPOSED ENCLOSURE FOR TWIN SCREW EXTRUDER <small>BAI COMPOUND VIS. AVE. DILIMAN QUEZON CITY</small>	SHEET CONTENTS AS SHOWN	DRWN. ENGR. PEPITO M. SORIANO III CHKD. ENGR. RAMIL B. BARCELONA	DESIGN PRC: PTR: TIN: DATE:	RECOMMENDING APPROVAL REMEDIOS V. ABGONA, PhD <small>CHIEF, FIBER UTILIZATION AND TECHNOLOGY DIVISION</small>	APPROVED KENNEDY T. COSTALES <small>EXECUTIVE DIRECTOR</small>	SHEET NO. <div style="border: 1px solid black; border-radius: 50%; padding: 5px; text-align: center;"> E-1 6 6 </div>
---	--	----------------------------	---	---	--	---	---