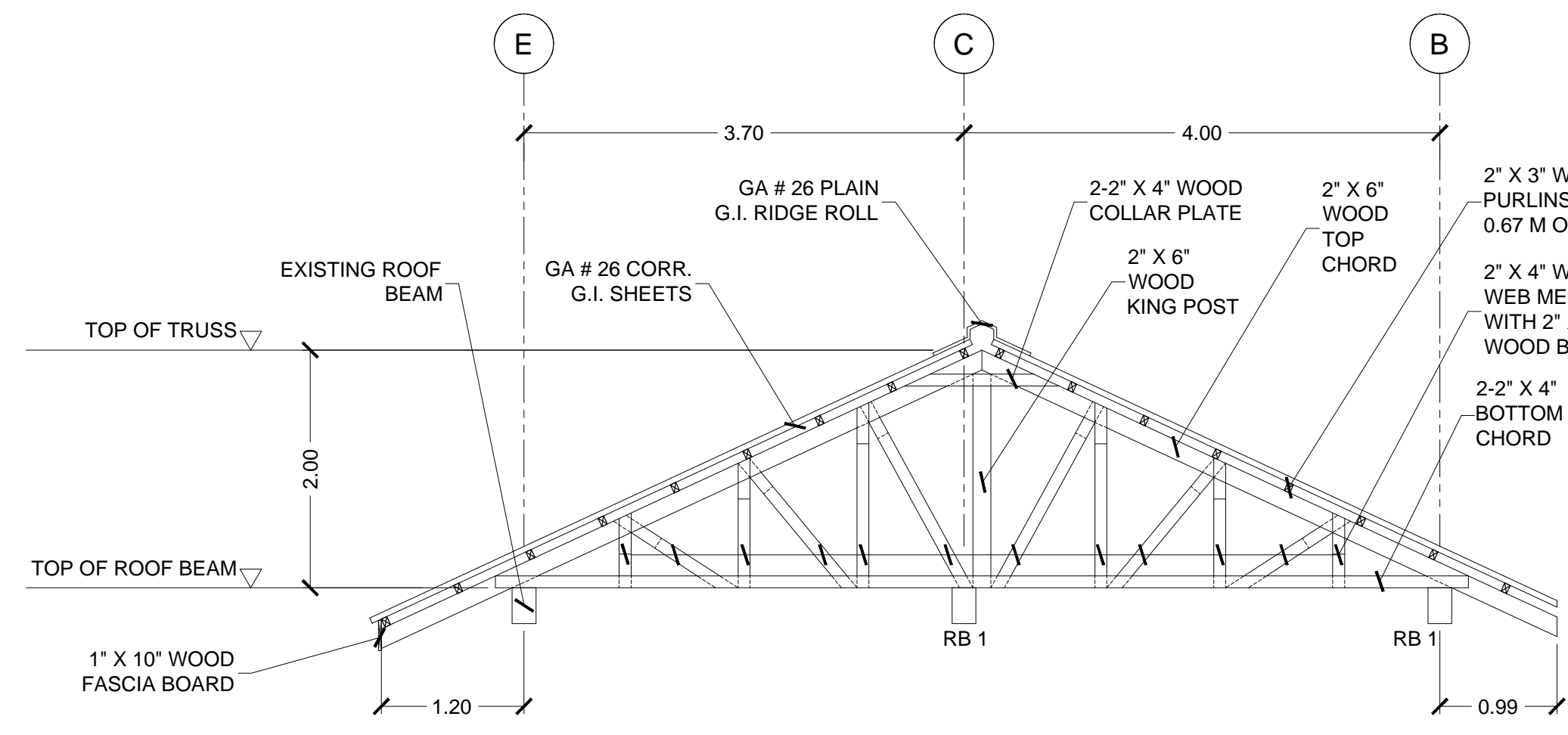


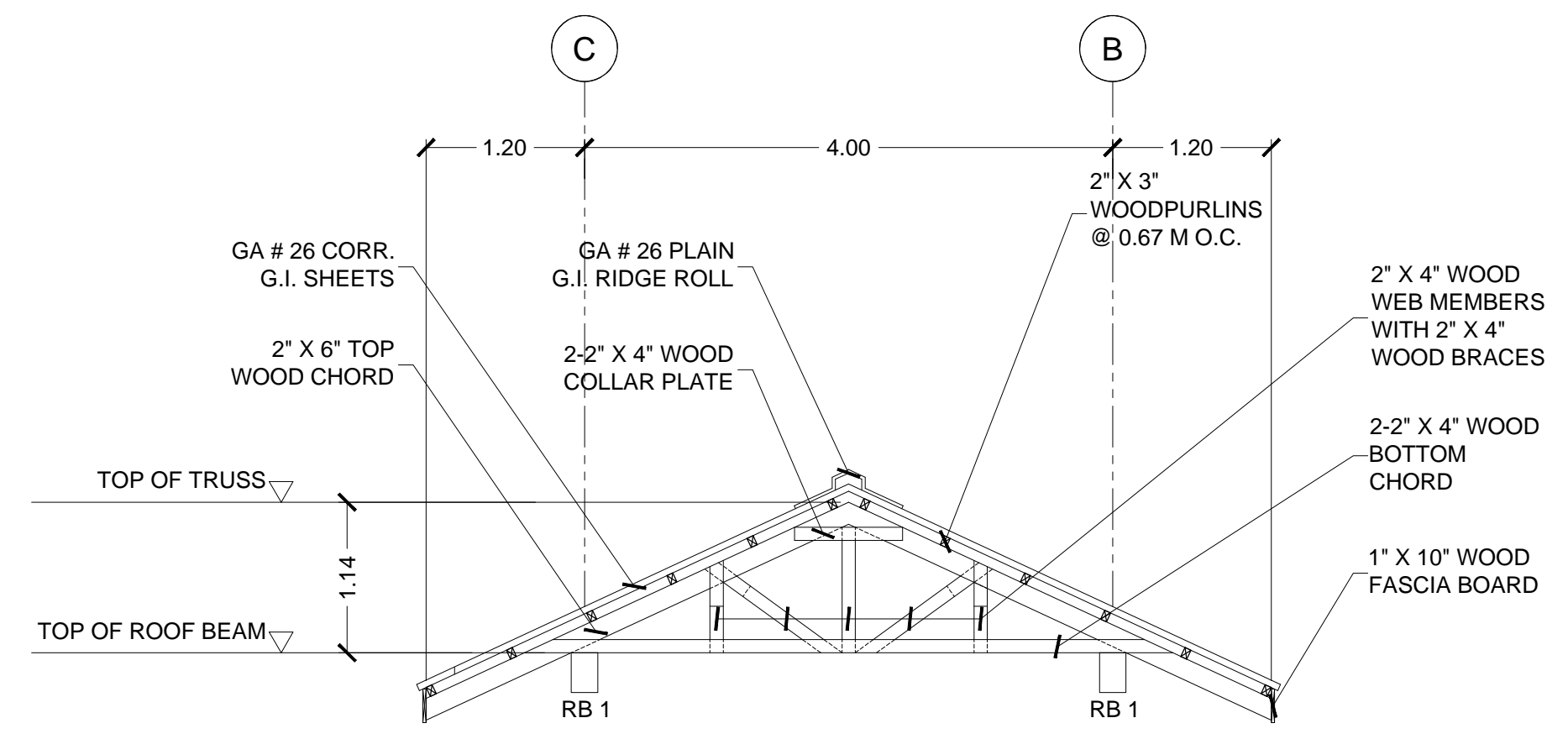
LEGEND

ERB EXISTING REINFORCED CONCRETE ROOF BEAMS, TO BE RETAINED

1 ROOF FRAMING PLAN
SCALE 1:100 M



2 DETAIL OF TRUSS 1
SCALE 1:50 M



3 DETAIL OF TRUSS 2
SCALE 1:50 M

SCHEDULE OF TRUSSES

DESIGNATION	NO. OF UNITS	FIGURE (SCALE: 1:100 M)	MATERIAL			
			B. C.	T. C.	KING POST	WEB MEMBERS
HT-1	4		2-2" X 4" LUMBER	1-2" X 6" LUMBER	1-2" X 6" LUMBER	2" X 4" LUMBER
HT-1A	3		2-2" X 4" LUMBER	1-2" X 6" LUMBER		2" X 4" LUMBER
HT-1B	3		1-2" X 4" LUMBER	1-2" X 4" LUMBER		2" X 4" LUMBER
HT-1C	2		1-2" X 4" LUMBER	1-2" X 4" LUMBER		2" X 4" LUMBER
HT-1D	1		1-2" X 6" LUMBER	1-2" X 6" LUMBER		2" X 4" LUMBER
HT-1E	3		2-2" X 4" LUMBER	1-2" X 6" LUMBER	1-2" X 4" LUMBER	2" X 4" LUMBER
HT-1F	2		1-2" X 4" LUMBER	1-2" X 4" LUMBER		2" X 4" LUMBER

SCHEDULE OF TRUSSES

DESIGNATION	NO. OF UNITS	FIGURE (SCALE: 1:100 M)	MATERIAL			
			B. C.	T. C.	KING POST	WEB MEMBERS
HT-1G	2		1-2" X 4" LUMBER	1-2" X 4" LUMBER		2" X 4" LUMBER
HT-1H	2		1-2" X 6" LUMBER	1-2" X 6" LUMBER		2" X 4" LUMBER
HT-2	1		2-2" X 4" LUMBER	1-2" X 6" LUMBER	1-2" X 6" LUMBER	2" X 4" LUMBER
HT-2A	1		2-2" X 4" LUMBER	1-2" X 6" LUMBER	1-2" X 6" LUMBER	2" X 4" LUMBER
HT-3	1		2-2" X 4" LUMBER	1-2" X 6" LUMBER	1-2" X 6" LUMBER	2" X 4" LUMBER
HT-3A	1		2-2" X 4" LUMBER	1-2" X 6" LUMBER	1-2" X 6" LUMBER	2" X 4" LUMBER
HT-3A	1		2-2" X 4" LUMBER	1-2" X 6" LUMBER	1-2" X 6" LUMBER	2" X 4" LUMBER
HT-3A	1		2-2" X 4" LUMBER	1-2" X 6" LUMBER	1-2" X 6" LUMBER	2" X 4" LUMBER