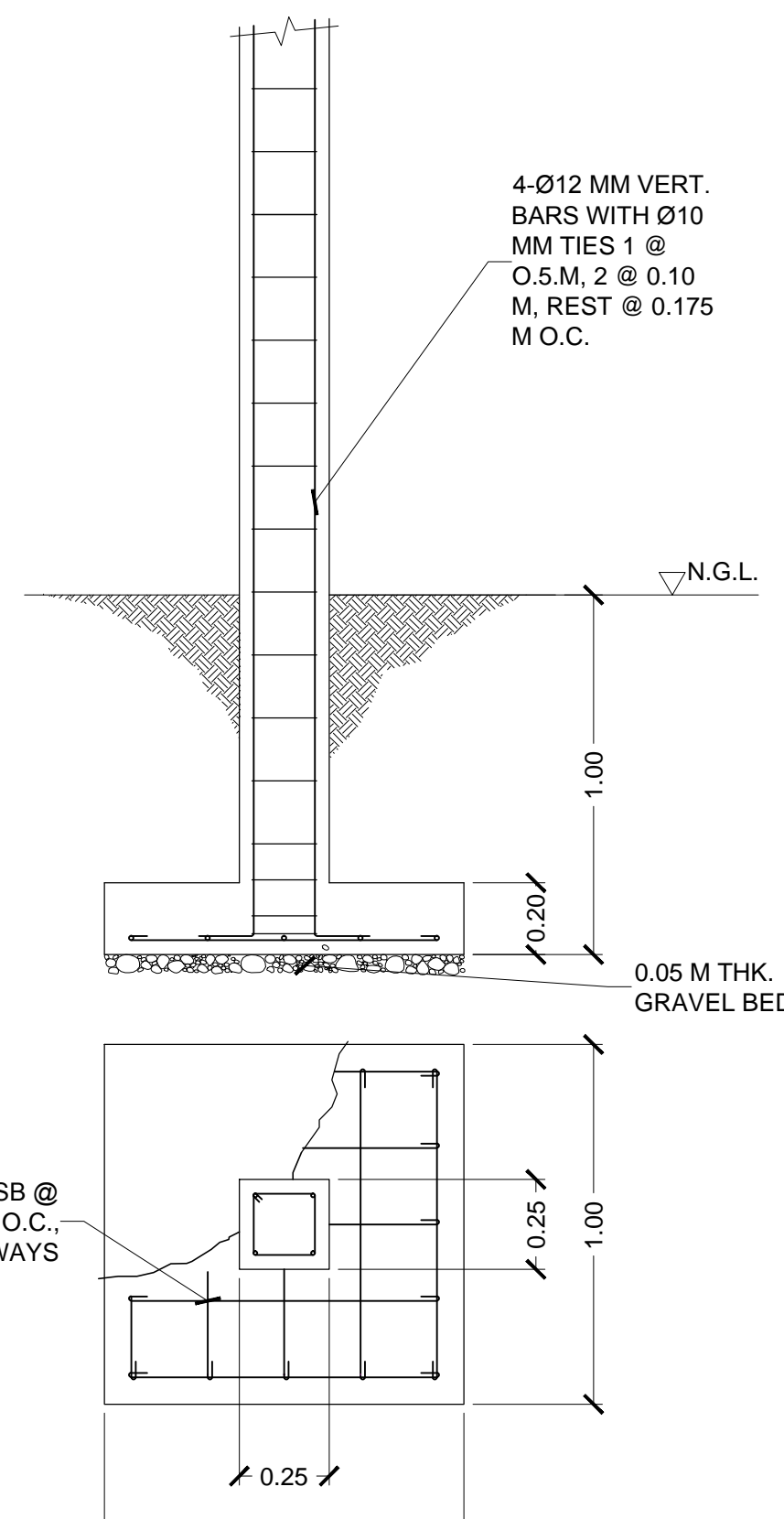


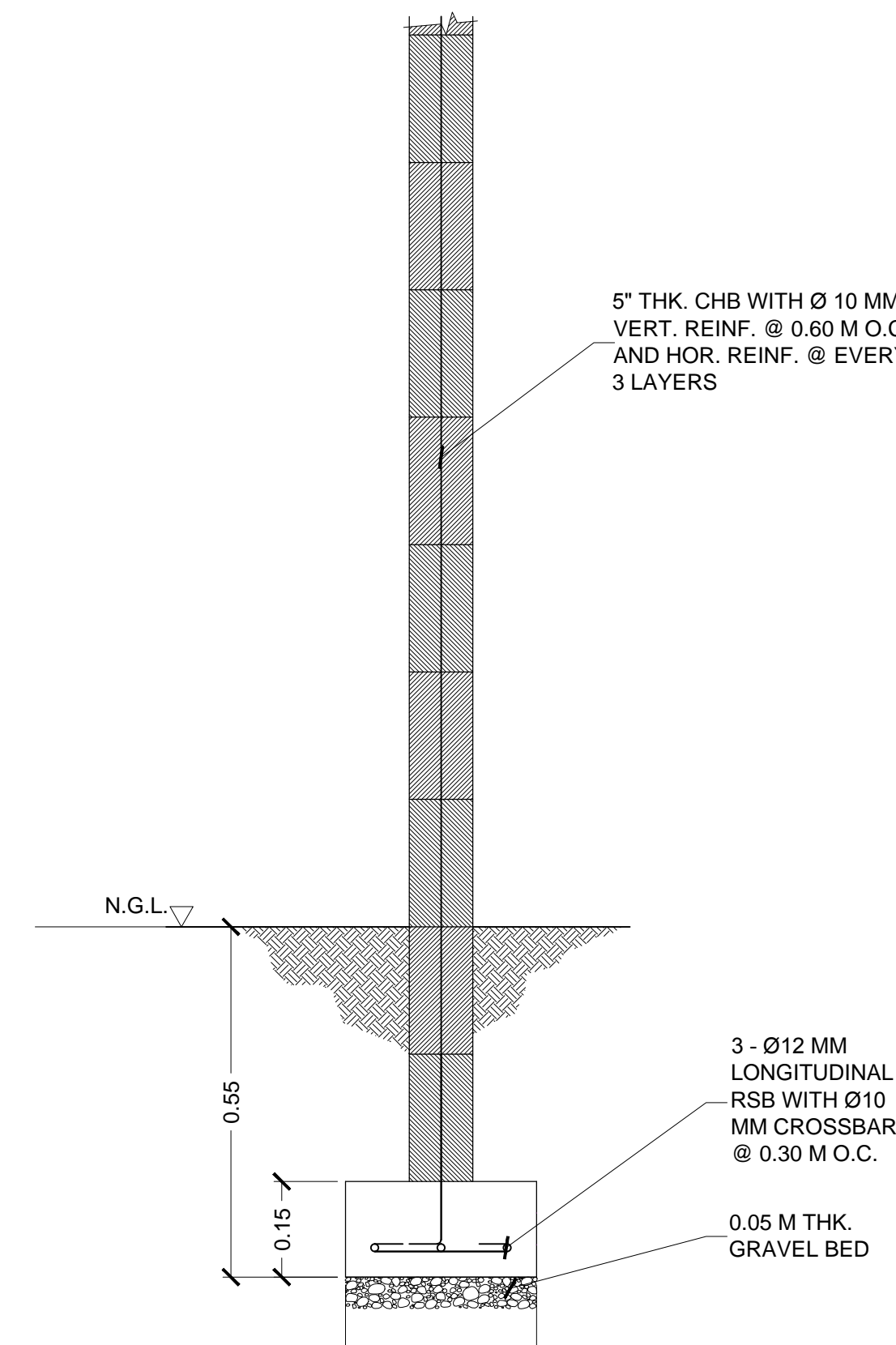
1 FOUNDATION PLAN
SCALE 1:100 M

LEGEND

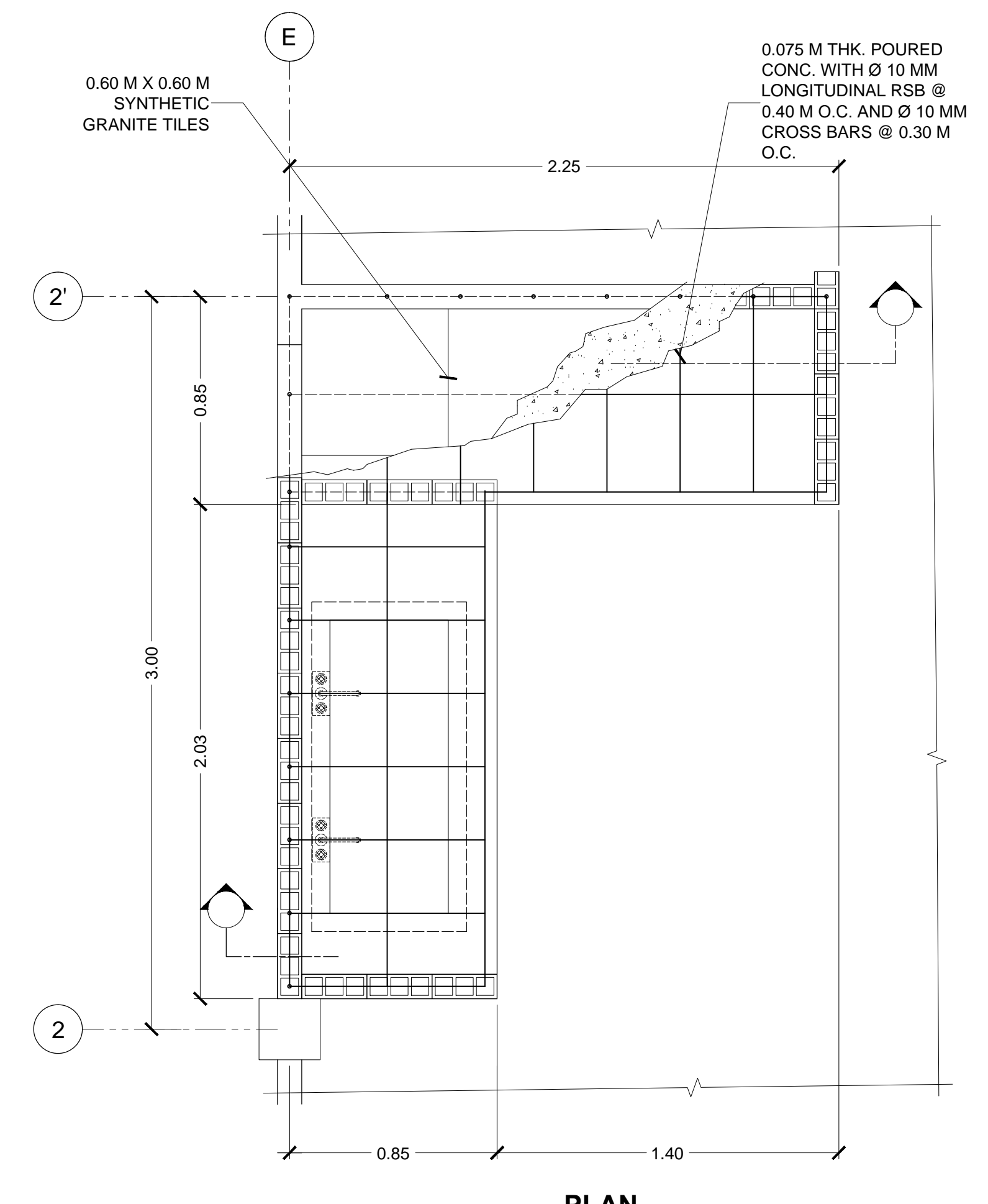
OC	EXISTING REINFORCED CONCRETE COLUMNS, TO BE RETAINED
OW	EXISTING CHB WALLS, TO BE RETAINED AND REPAIRED



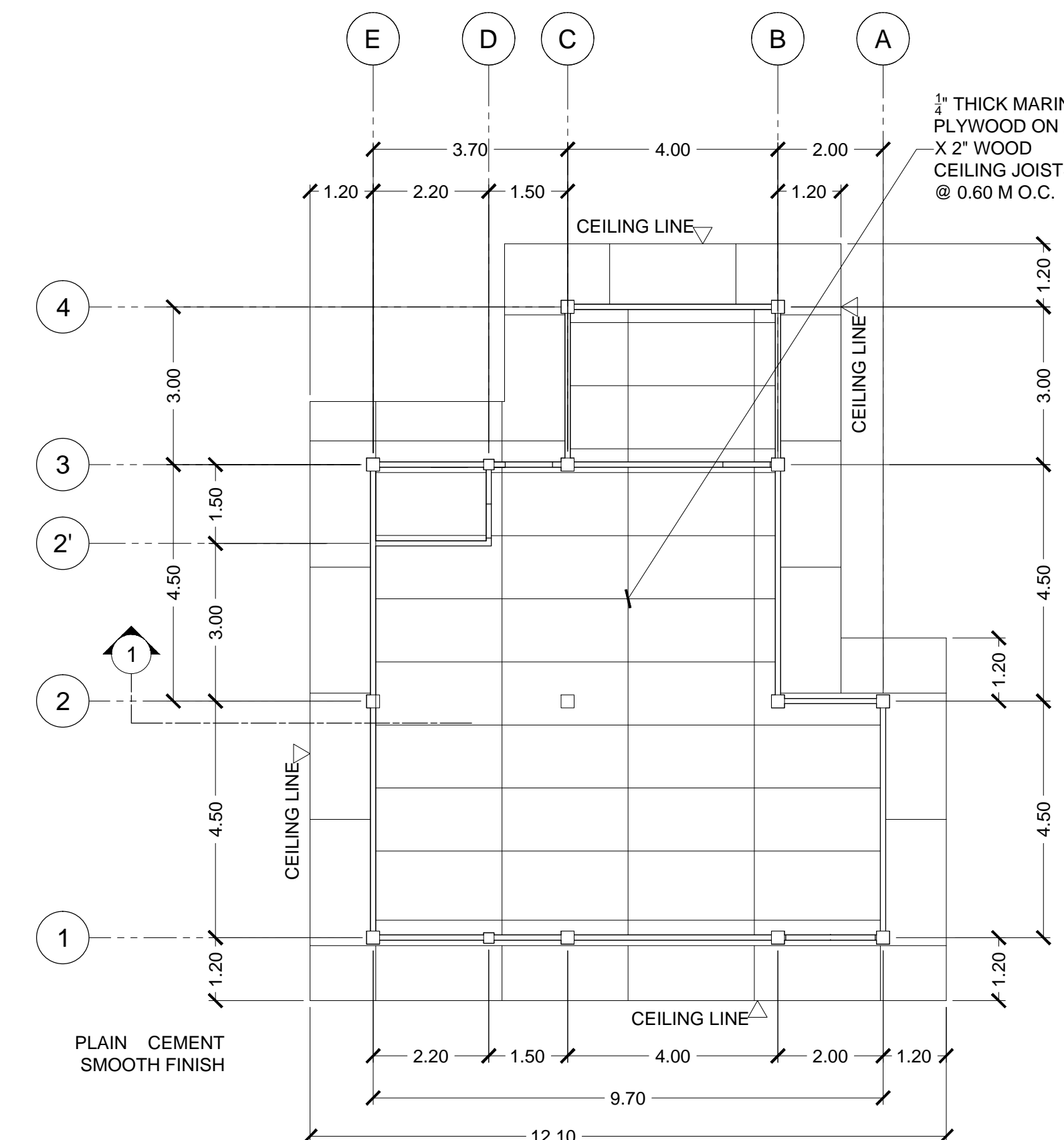
2 C1-F1 DETAIL
SCALE 1:20 M



3 WF1 DETAIL
SCALE 1:10 M



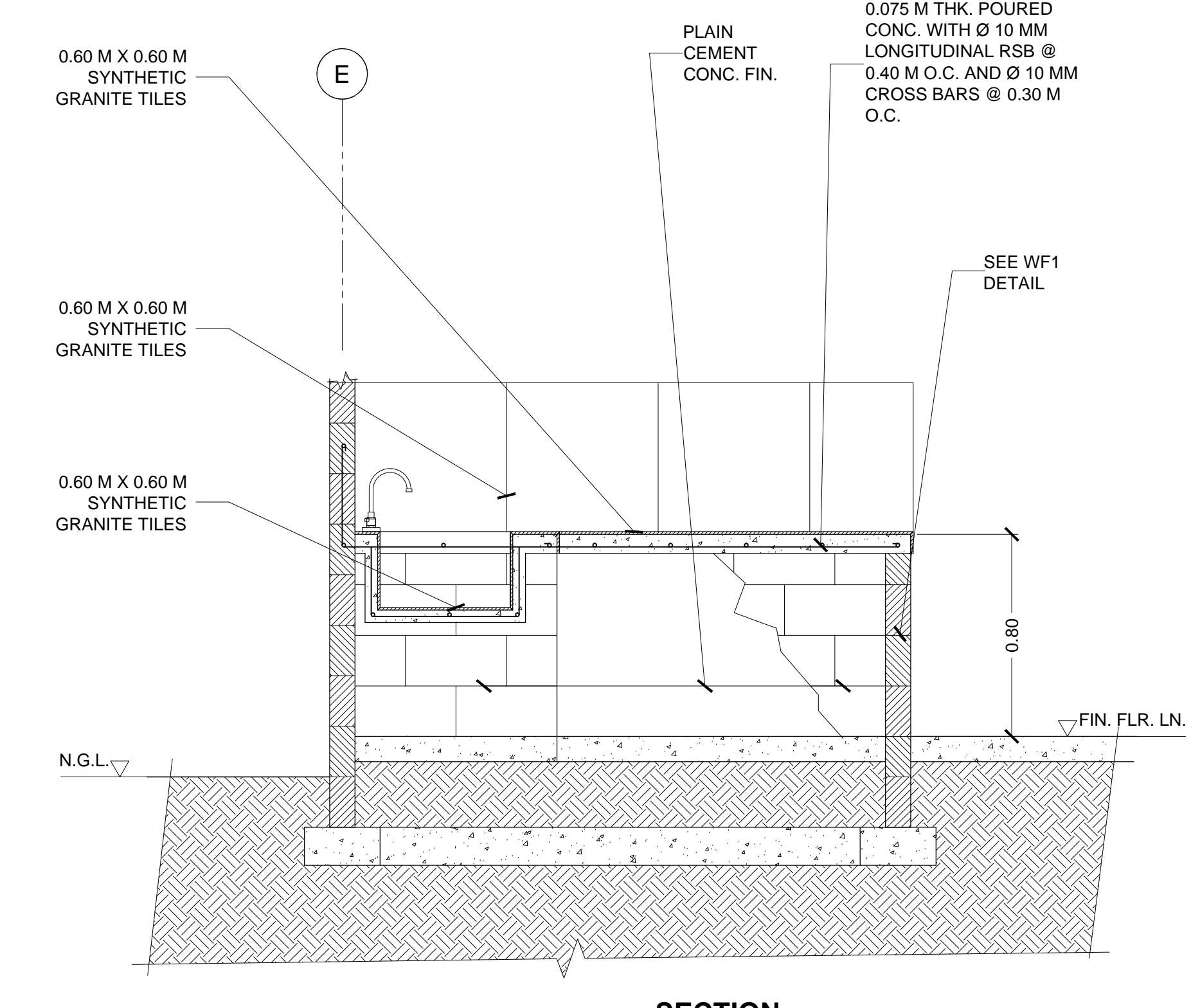
5 COUNTER DETAIL
SCALE 1:100 M



4 REFLECTED CEILING PLAN
SCALE 1:100 M

SCHEDULE OF ROOF BEAMS

BEAM #	BEAM SIZE, M		SECTION @ SUPPORT		SECTION @ MIDSPAN		10 MM Ø STIRRUPS SPACING	FIGURE (SCALE 1:20 M)	
	b	d	TOP BARS	BOTTOM BARS	TOP BARS	BOTTOM BARS		SUPPORT	MIDSPAN
RB 1	0.20	0.30	3-12 MM Ø	2-12 MM Ø	2-12 MM Ø	3-12 MM Ø	6 @ 75 MM, 6 @ 100 MM, REST @ 150 MM TOWARDS CENTER		
RB 2	0.20	0.30	3-12 MM Ø	2-12 MM Ø	2-12 MM Ø	3-12 MM Ø	6 @ 75 MM, 6 @ 100 MM, REST @ 150 MM TOWARDS CENTER		
RB 3	0.20	0.30	3-12 MM Ø	2-12 MM Ø	2-12 MM Ø	3-12 MM Ø	4 @ 75 MM, 4 @ 100 MM, REST @ 150 MM TOWARDS CENTER		
RB 4	0.20	0.30	3-12 MM Ø	2-12 MM Ø	2-12 MM Ø	3-12 MM Ø	3 @ 75 MM, 3 @ 100 MM, REST @ 150 MM TOWARDS CENTER		



5 COUNTER DETAIL
SCALE 1:100 M