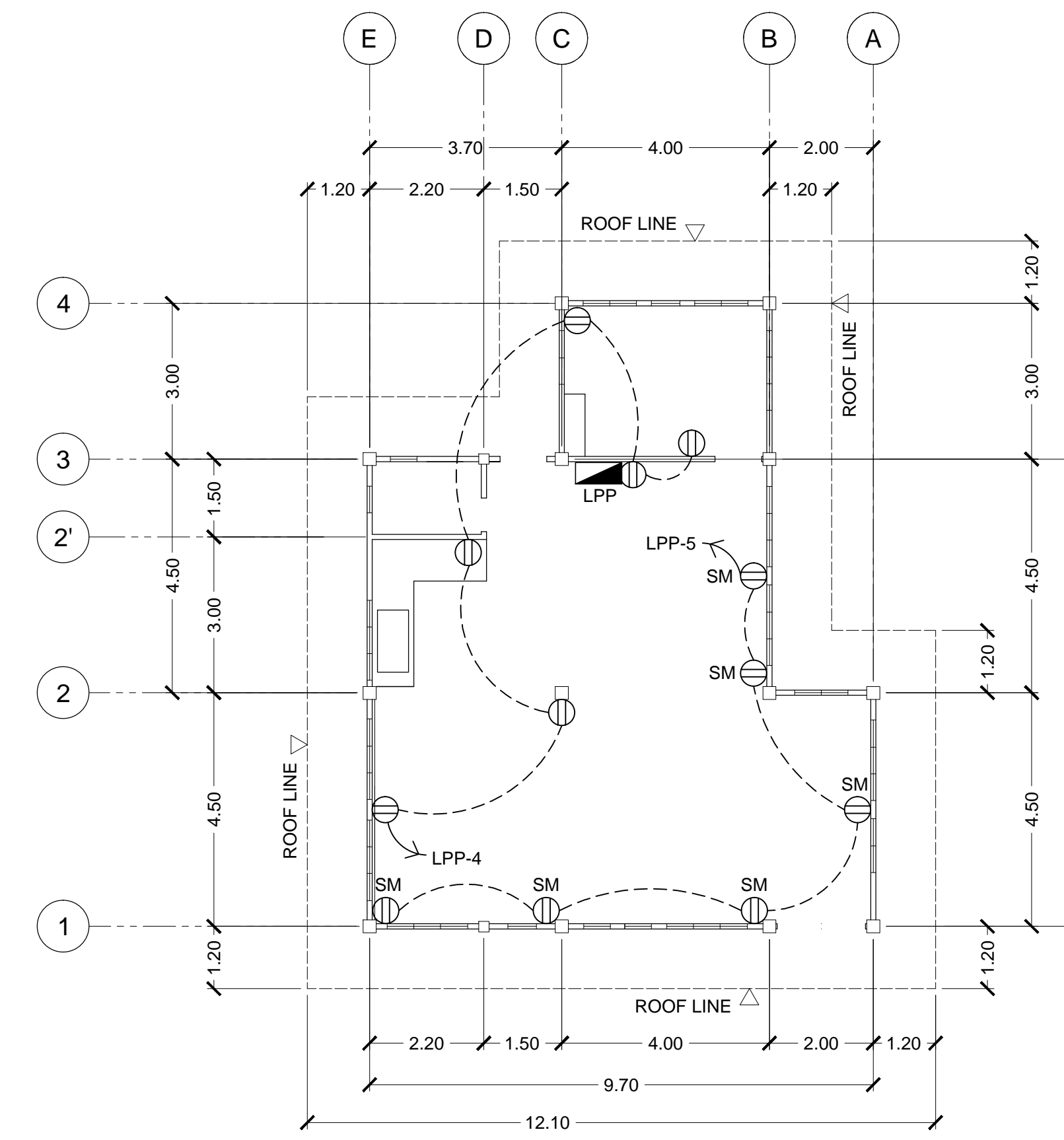


1 LIGHTING LAYOUT
E - 1 SCALE 1:100 M



2 POWER LAYOUT
E - 1 SCALE 1:100 M

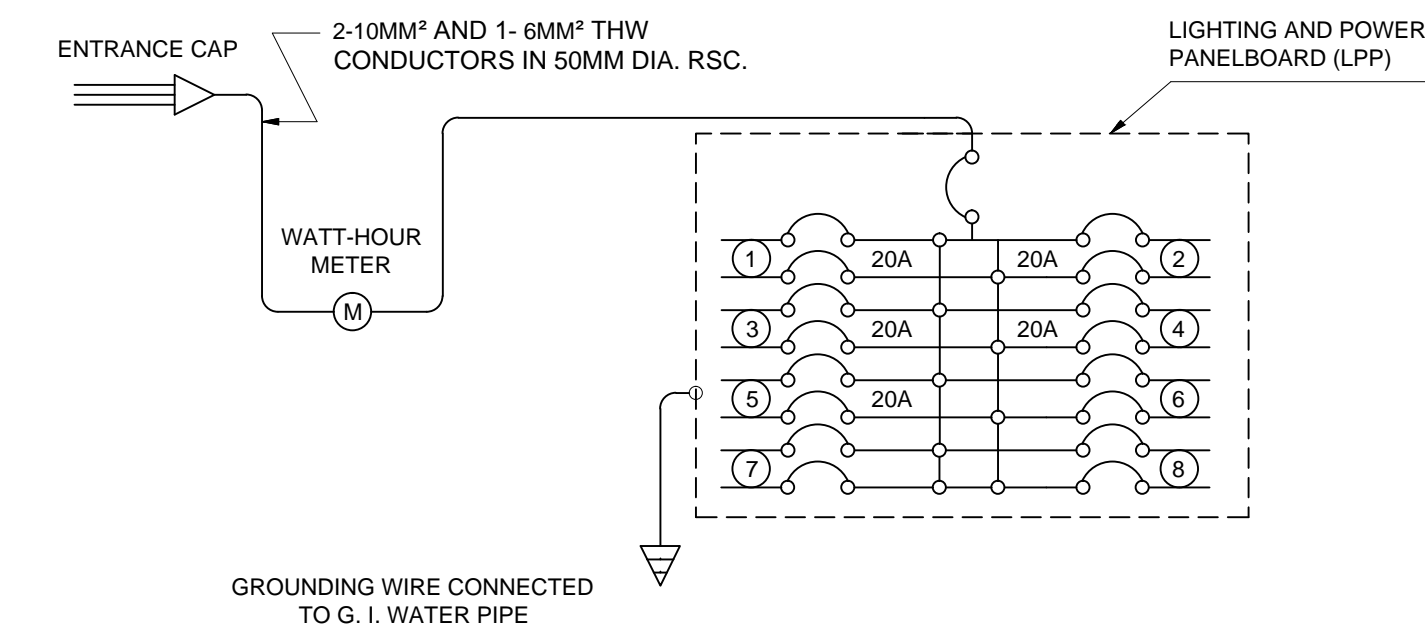
LEGEND & SYMBOLS :

- CEILING LIGHT
4 WATTS FOR PERIMETER CEILING
18 WATTS FOR INSIDE CEILING
- DUPLEX CONVICIENCE OUTLET 220V
- DUPLEX CONVICIENCE OUTLET 220V FOR SEWING MACHINE
- LIGHTING AND POWER PANEL BOARD
- SWITCH

LOAD SCHEDULE

(220 V) LIGHTING AND POWER PANEL "LPP"

CRT NO.	LOAD DESCRIPTION	LTS	C.O.	OTHER LOADS	VA PER CIRCUIT	AMP LOAD PER CIRCUIT	SIZE OF BRKS			SIZE OF HOMERUN	
							F	P	T	WIRE	CONDUIT
1	18W LED LAMP	9			162.0	2.00	50	2	20	2-3.5MM ²	20MMØ PVC
2	18W LED LAMP	8			144.0	2.00	50	2	20	2-3.5MM ²	20MMØ PVC
3	4W LED LAMP	7			28.0	2.00	50	2	20	2-3.5MM ²	20MMØ PVC
4	DUPLEX CONVICIENCE OUTLET	6			720.0	3.27	50	2	20	2-3.5MM ²	20MMØ PVC
5	SEWING MACHINE	6			450.0	2.04	50	2	20	2-3.5MM ²	20MMØ PVC
6	SPARE			1	3,000.0	13.64	50	2			
7	SPARE			1	1,500.0	6.82	50	2			
8	SPARE			1	1,500.0	6.82	50	2			
TOTAL LOAD IN THE BUILDING						39.51	AMPERES				
D. F. (DEMAND FACTOR) = 80%						USE : 50AF 2P 40AT 220V					
I (TOTAL) = (37.51 X 0.8) + (8 X 25) = 33.61 AMPERES						CB (CIRCUIT BREAKER)					



3 SINGLE LINE DIAGRAM
E - 3