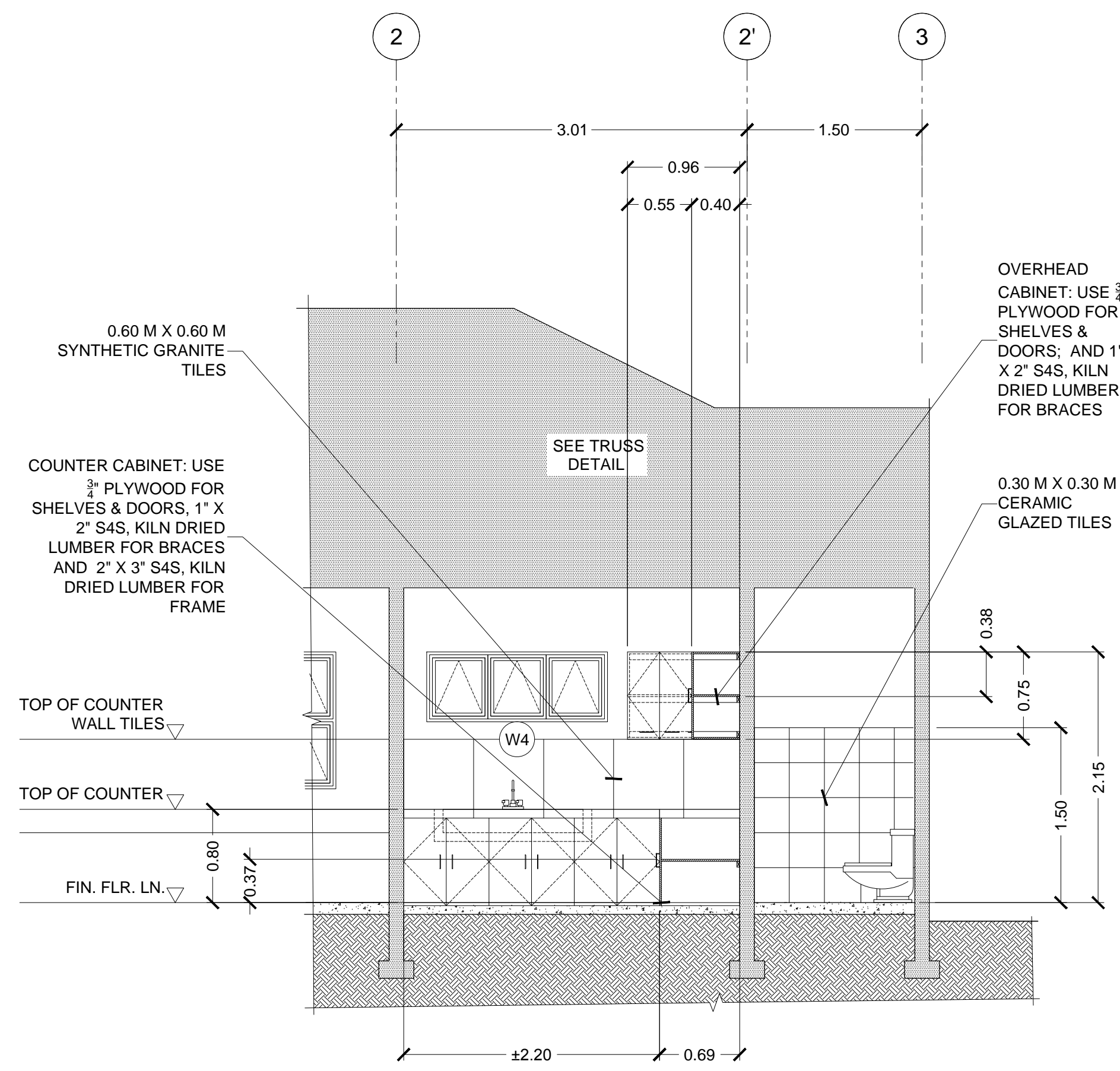
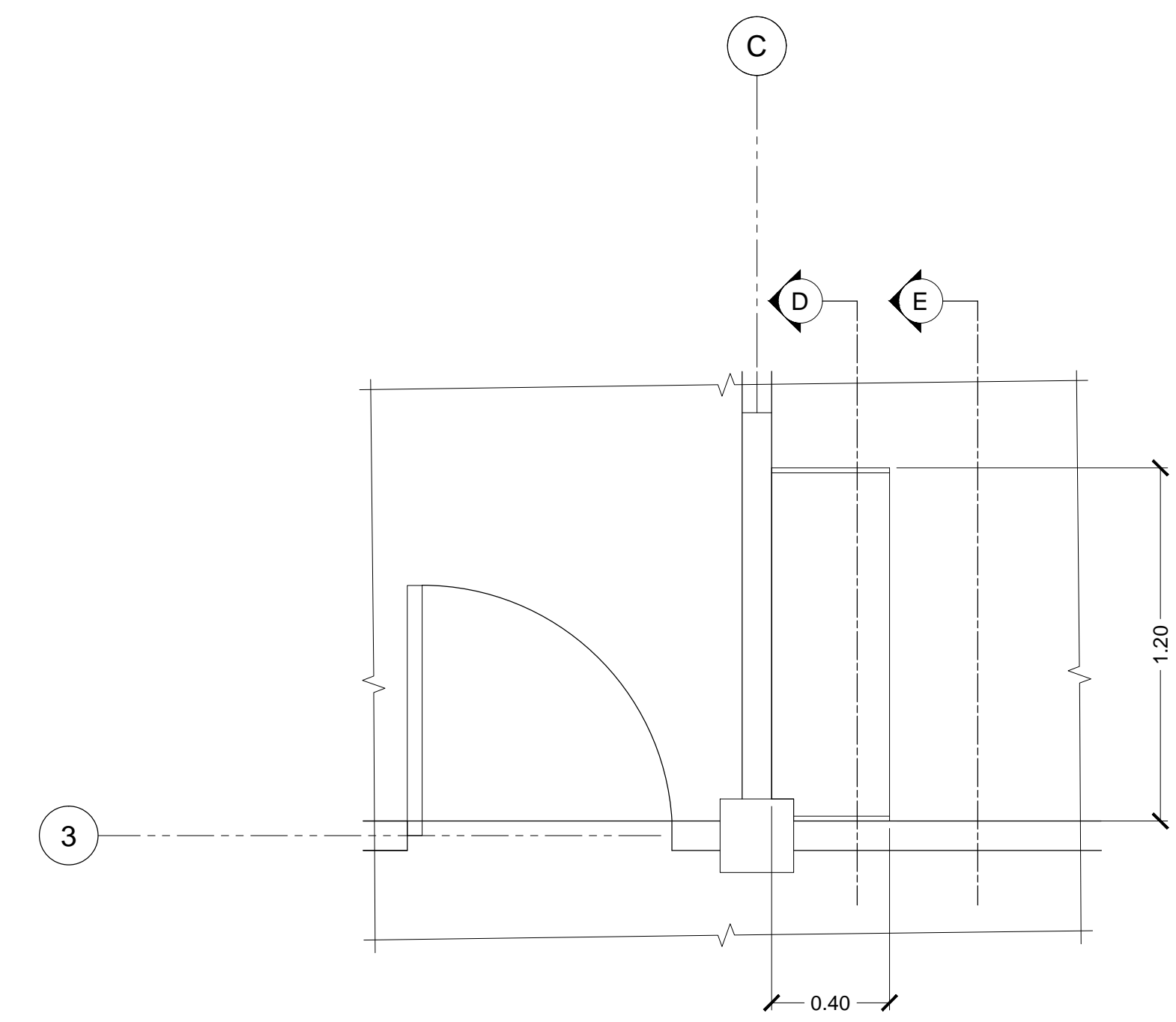


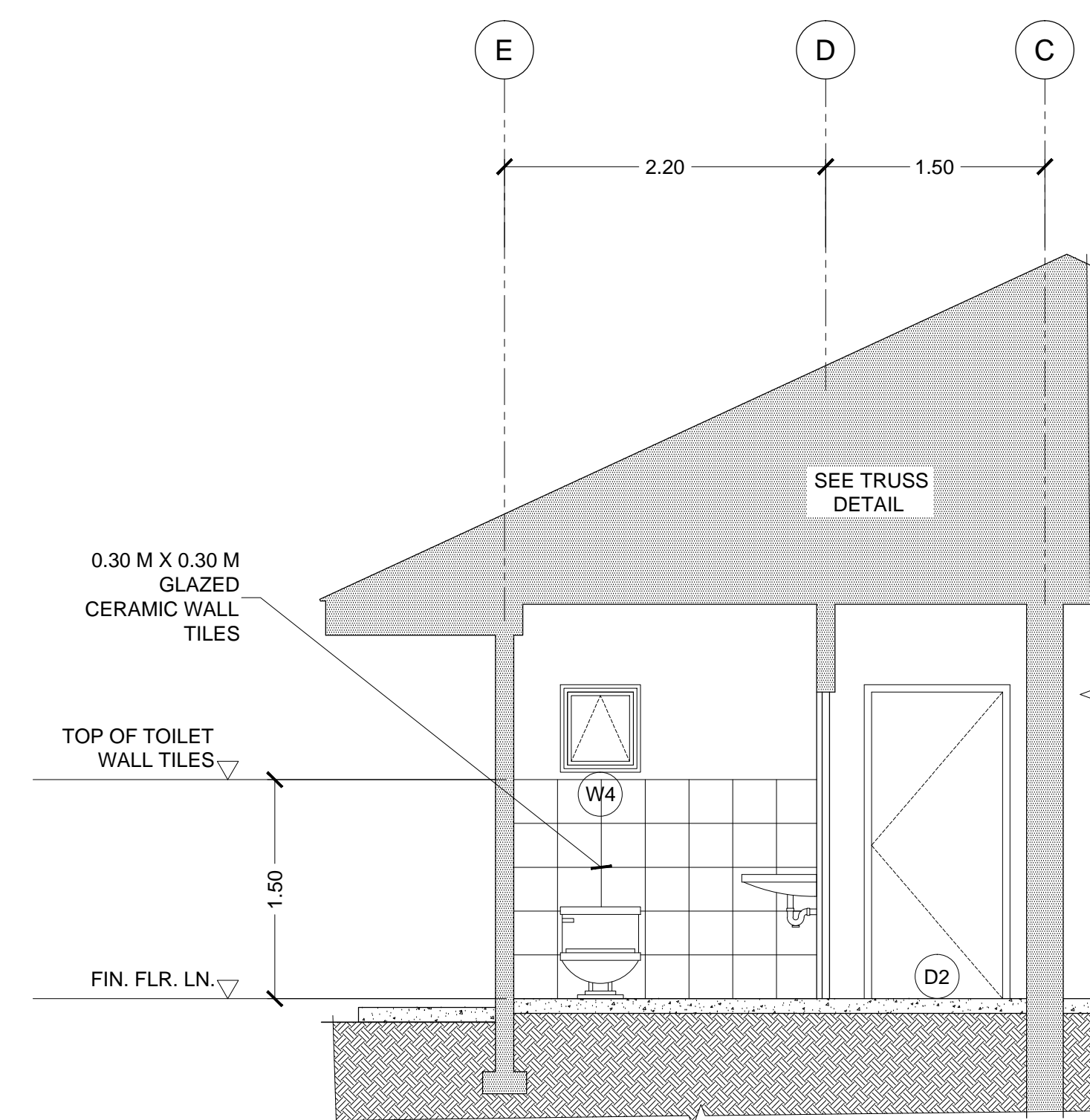
PLAN



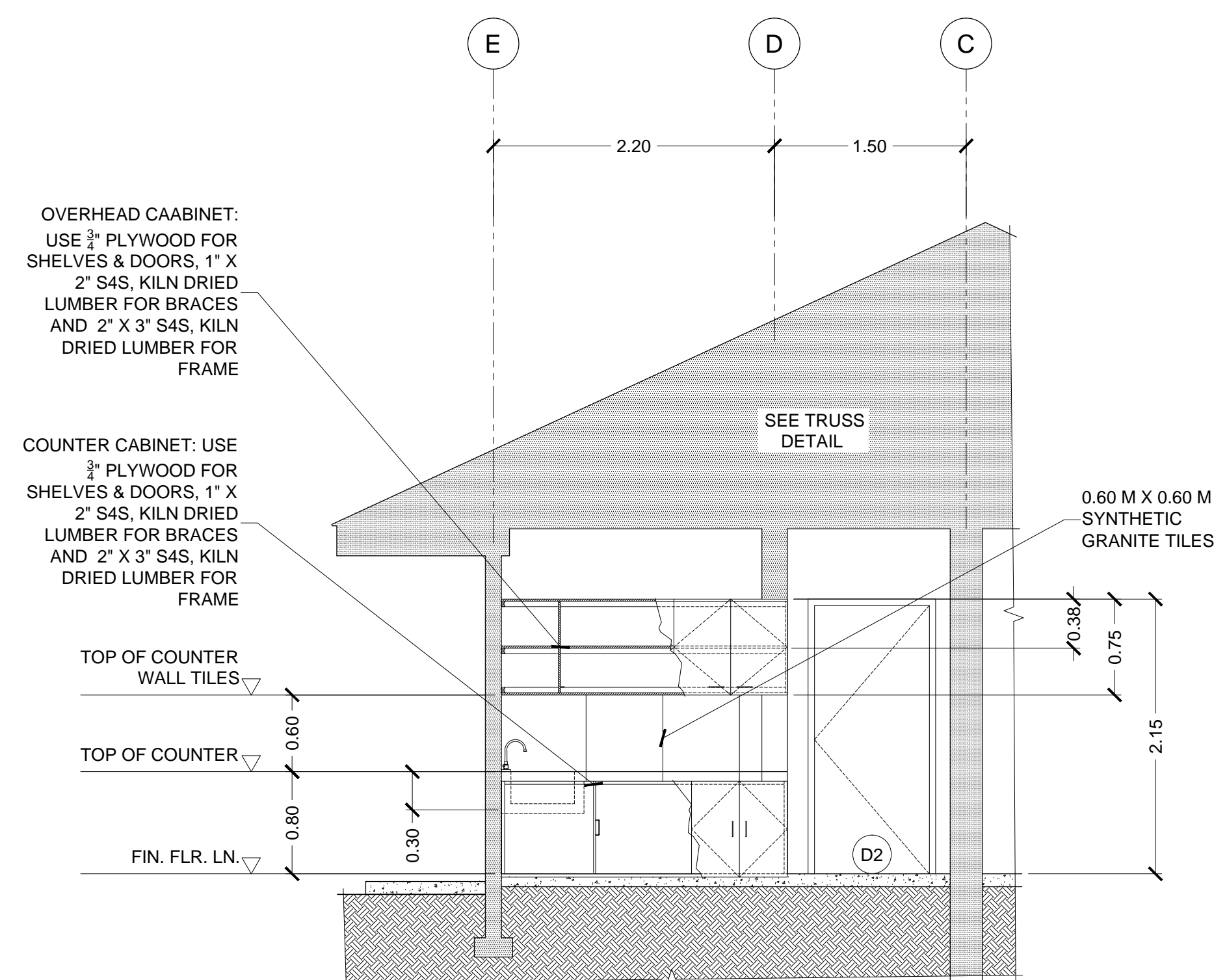
SECTION "C"



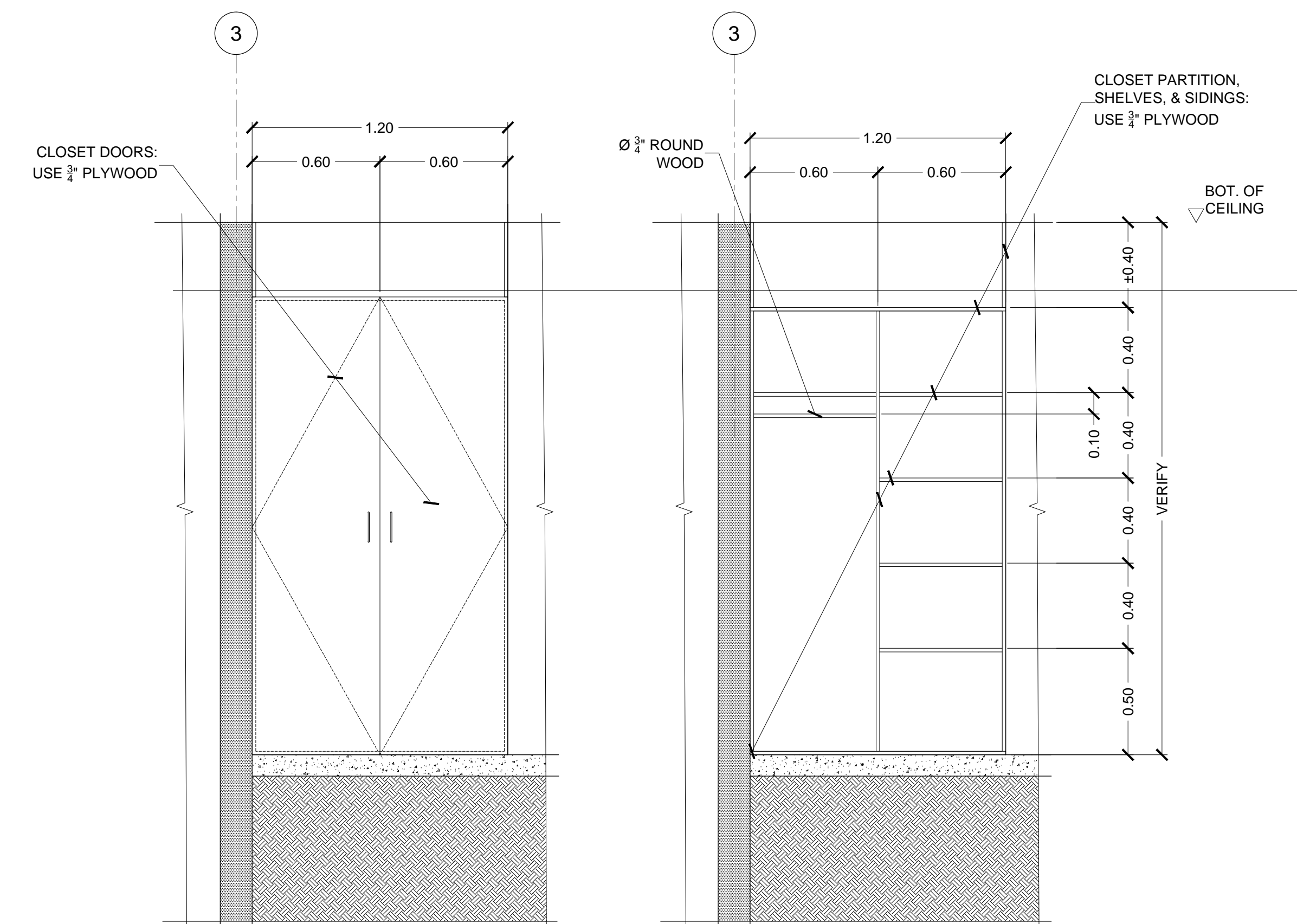
PLAN



SECTION "A"



SECTION "B"




SECTION "E"

SECTION "D"

1 CABINETS AND TOILET DETAILS
A - 4 SCALE 1:40 M

2 DETAIL OF CLOSET
A - 4 SCALE 1:20 M

OWNER	PROJECT TITLE/LOCATION	SHEET CONTENTS	DRWN.	CHKD.	RECOMMENDING APPROVAL	APPROVED	SHEET NO.
 PHILIPPINE FIBER INDUSTRY DEVELOPMENT AUTHORITY 3/F DA-PCAF BLDG., DEPARTMENT OF AGRICULTURE ELLIPTICAL ROAD, DILIMAN, QUEZON CITY	PROPOSED REHABILITATION OF WEAVING CENTER BRGY. MALABOR, TIBIAO, ANTIQUE	AS SHOWN	EDGAR A. ABRIL	IRMA R. RODIS PROFESSIONAL AGRICULTURAL ENGINEER	REMEDIOS V. ABGONA, PhD CHIEF, FIBER UTILIZATION AND TECHNOLOGY DIVISION	KENNEDY T. COSTALES EXECUTIVE DIRECTOR	A-4 4 4
			ENGR. EMMA Z. BALABIS				